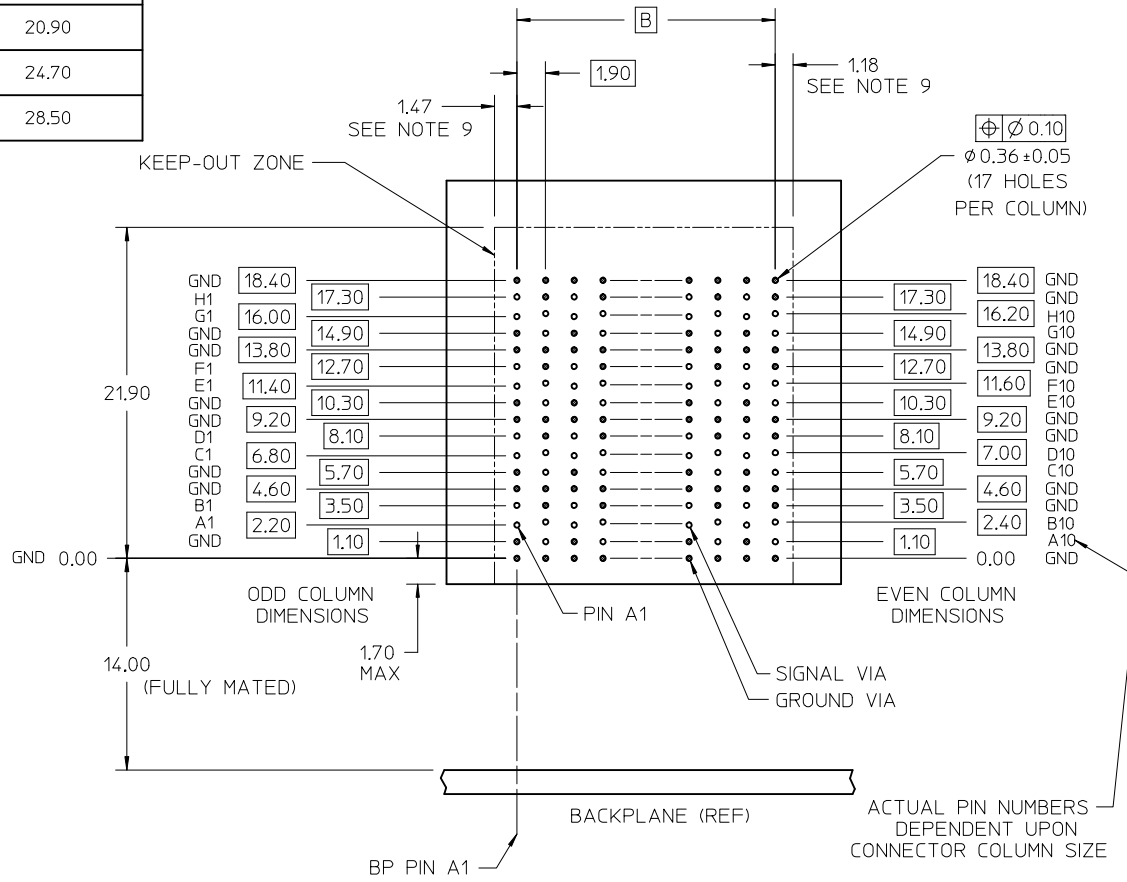
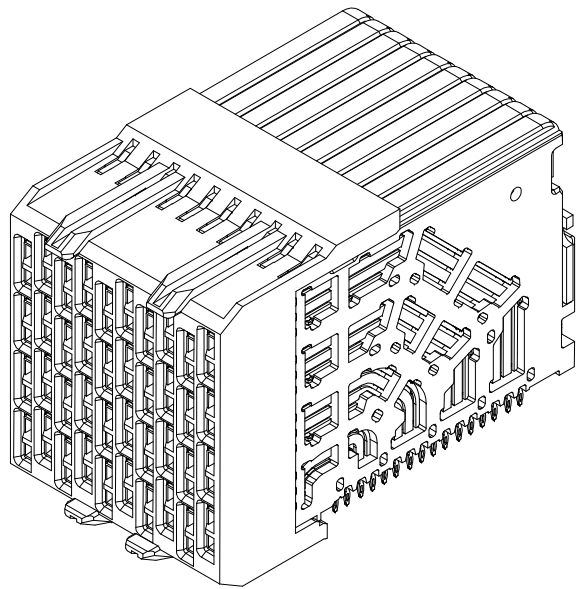


- NOTES:
1. MATERIALS: HOUSING - LIQUID CRYSTAL POLYMER (LCP)  
GLASS-FILLED, UL94V-0  
TERMINALS - HIGH PERFORMANCE COPPER ALLOY
  2. FINISH: 30µIN GOLD IN CONTACT AREA.  
SELECTIVE TIN ON PCB TAILS.  
NICKEL OVERALL.
  3. REFER TO MOLEX PRODUCT SPECIFICATION PS-171320-999 FOR PERFORMANCE SPECIFICATIONS.
  4. THIS PART CONFORMS TO CLASS B REQUIREMENTS OF MOLEX COSMETIC SPEC PS-45499-002.
  5. PRODUCT WILL BE PACKAGED PER PK-78888-085.
  6. SEE SHEET 2 FOR HOLE PATTERN DIMENSIONS.
  7. MATES WITH IMPEL BP SERIES NUMBER 171315.
  8. REFER TO IMPEL PCB ROUTING GUIDE AS-171320-990 FOR ANTIPAD, ROUTING RECOMMENDATIONS, AND ADDITIONAL PCB INFORMATION.
  9. WHEN STACKING MODULES END TO END, THE MINIMUM COLUMN TO COLUMN HOLE SPACING IS 2.65mm.

ADD 14C OPTION EC NO: UCP2016-3408 DRWN:CYLAW 2016/02/26 CHKD: APPR:SHLENI 2016/03/11 REV: A2	QUALITY SYMBOLS	GENERAL TOLERANCES (UNLESS SPECIFIED)	DIMENSION STYLE	SCALE	DESIGN UNITS	THIRD ANGLE PROJECTION
	▽ = 0	mm INCH	MM ONLY	4:1	METRIC	
	▽ = 0	4 PLACES ± --- ± ---	DRAWN BY DATE	TITLE		
	▽ = 0	3 PLACES ± --- ± ---	JLAURX 2012/09/13	IMPEL DAUGHTERCARD ASSY		
	2 PLACES ± 0.13 ± ---	CHECKED BY DATE	4 PAIR - 1.9MM PITCH			
	1 PLACE ± 0.25 ± ---	APPROVED BY DATE	UNGUIDED SALES DRAWING			
	0 PLACE ± --- ± ---	JB INGHAM 2013/12/06	molex			
	ANGULAR ±1/2°	MATERIAL NO.	SEE CHART		DOCUMENT NO.	SHEET NO.
	DRAFT WHERE APPLICABLE MUST REMAIN WITHIN DIMENSIONS				SD-171320-0001	1 OF 2
			THIS DRAWING CONTAINS INFORMATION THAT IS PROPRIETARY TO MOLEX INCORPORATED AND SHOULD NOT BE USED WITHOUT WRITTEN PERMISSION			

MATERIAL NUMBER	NUMBER OF COLUMNS	NUMBER OF DIFF PAIR	DIM "A"	DIM "B"
171320-1038	8	32	15.95 MAX	13.30
171320-1020	10	40	19.75 MAX	17.10
171320-1022	12	48	23.55 MAX	20.90
171320-1024	14	56	27.35 MAX	24.70
171320-1026	16	64	31.15 MAX	28.50



DAUGHTERCARD HOLE PATTERN  
(CONNECTOR SIDE)

<b>SEE SHEET 1</b> EC NO: UCP2016-3408 DRAWN: CYLAW 2016/02/26 CHKD: APPR: SHLENI 2016/03/11 REV: A2	QUALITY SYMBOLS 	GENERAL TOLERANCES (UNLESS SPECIFIED) <table border="1"> <thead> <tr> <th></th> <th>mm</th> <th>INCH</th> </tr> </thead> <tbody> <tr> <td>4 PLACES</td> <td>± 0.13</td> <td>± 0.005</td> </tr> <tr> <td>3 PLACES</td> <td>± 0.25</td> <td>± 0.010</td> </tr> <tr> <td>2 PLACES</td> <td>± 0.38</td> <td>± 0.015</td> </tr> <tr> <td>1 PLACE</td> <td>± 0.51</td> <td>± 0.020</td> </tr> <tr> <td>0 PLACE</td> <td>± 0.64</td> <td>± 0.025</td> </tr> </tbody> </table>		mm	INCH	4 PLACES	± 0.13	± 0.005	3 PLACES	± 0.25	± 0.010	2 PLACES	± 0.38	± 0.015	1 PLACE	± 0.51	± 0.020	0 PLACE	± 0.64	± 0.025	DIMENSION STYLE <b>MM ONLY</b>	SCALE <b>4:1</b>	DESIGN UNITS <b>METRIC</b>	THIRD ANGLE PROJECTION 
		mm	INCH																					
	4 PLACES	± 0.13	± 0.005																					
	3 PLACES	± 0.25	± 0.010																					
2 PLACES	± 0.38	± 0.015																						
1 PLACE	± 0.51	± 0.020																						
0 PLACE	± 0.64	± 0.025																						
DRAFT WHERE APPLICABLE MUST REMAIN WITHIN DIMENSIONS		DRAWN BY JLAURX	DATE 2012/09/13	TITLE <b>IMPEL DAUGHTERCARD ASSY 4 PAIR - 1.9MM PITCH UNGUIDED SALES DRAWING</b>																				
		CHECKED BY 	DATE 	APPROVED BY JB INGHAM																				
		MATERIAL NO. <b>SEE CHART</b>		DOCUMENT NO. <b>SD-171320-0001</b>	SHEET NO. <b>2 OF 2</b>																			