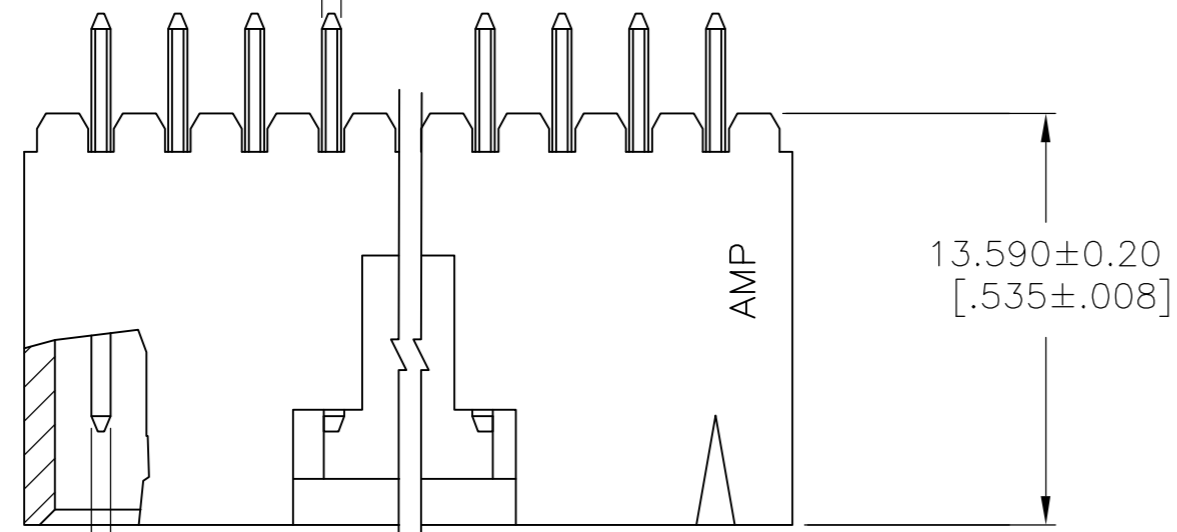


THIS DRAWING IS UNPUBLISHED. RELEASED FOR PUBLICATION
 © COPYRIGHT BY TYCO ELECTRONICS CORPORATION. ALL RIGHTS RESERVED.

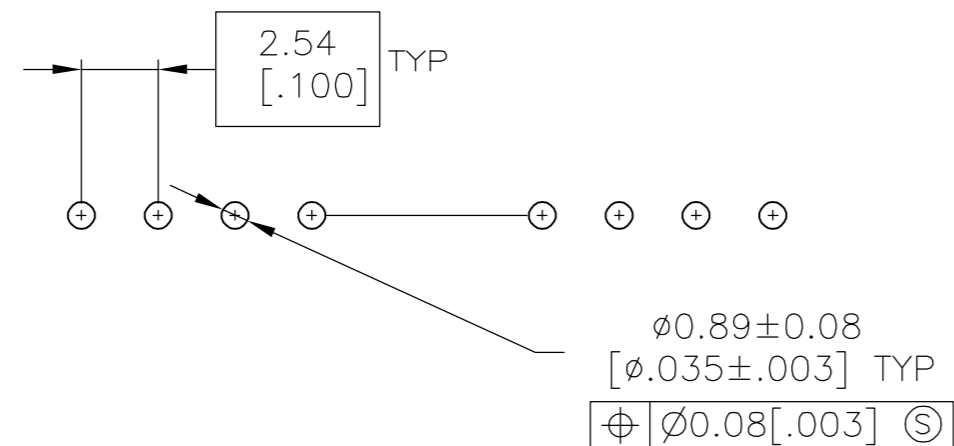
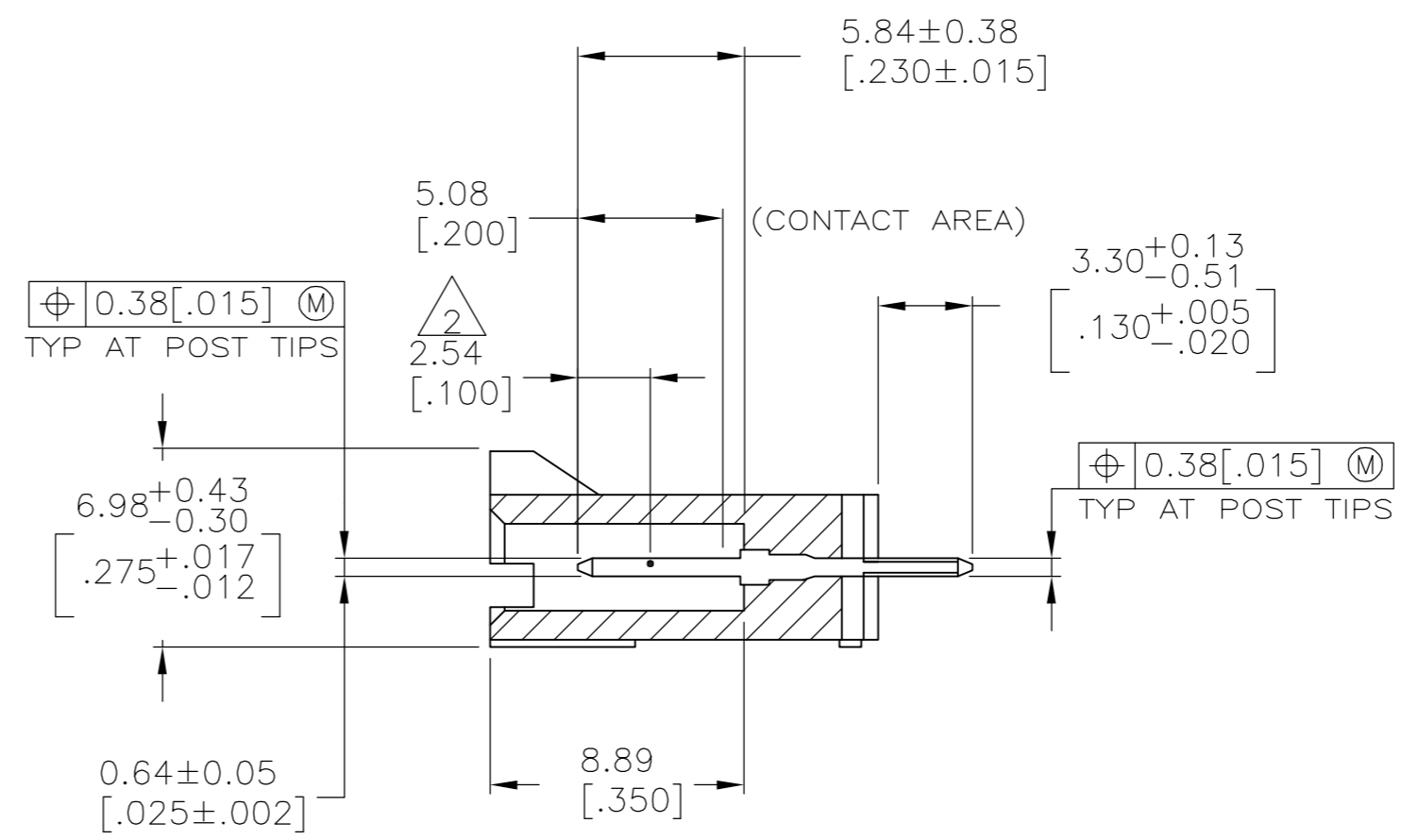
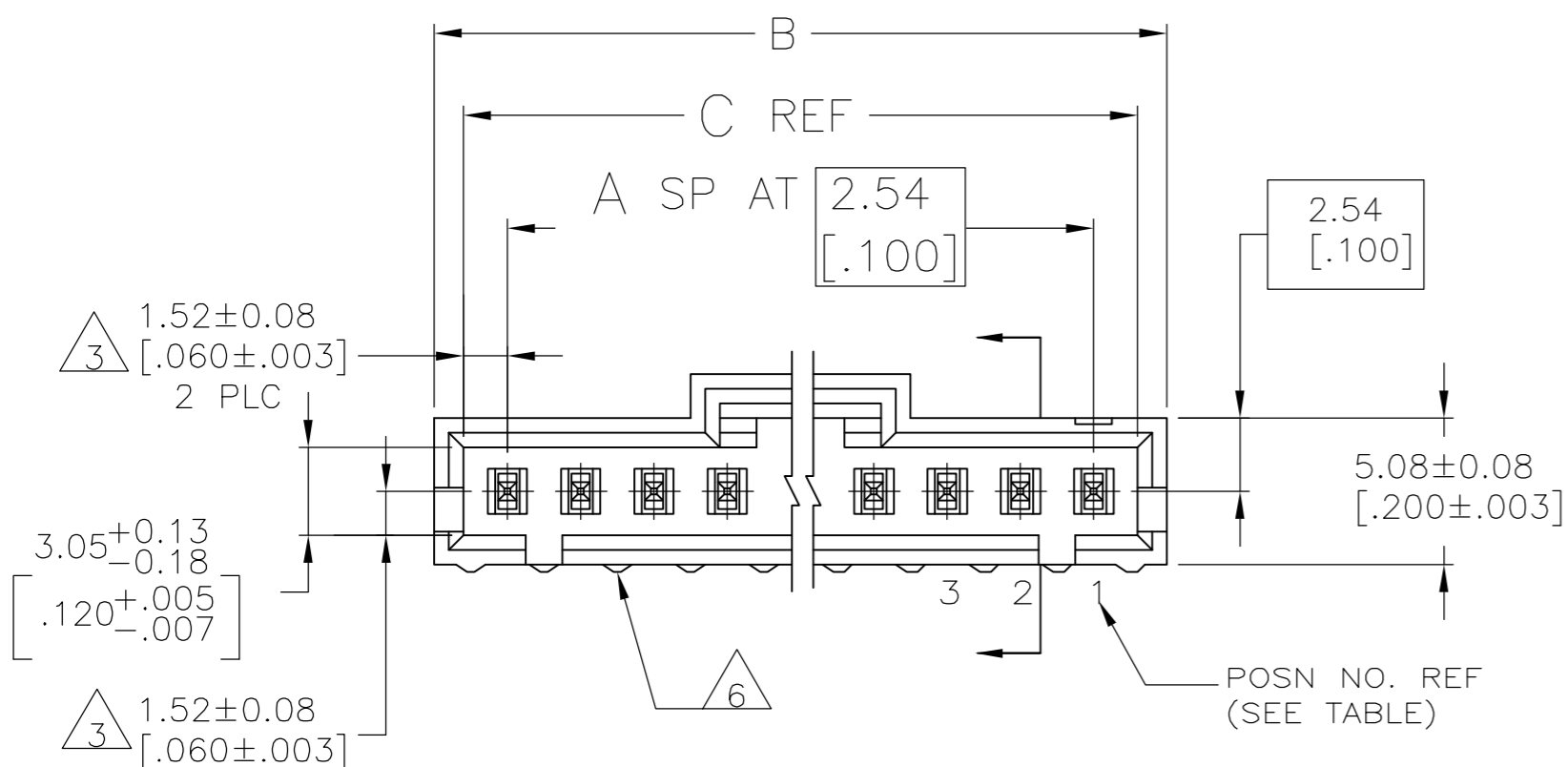
LOC		DIST		REVISIONS			
P	LTR	DESCRIPTION		DATE	DWN	APVD	
F		EC 0G3C 0786 04		29JAN05	BSV	JLG	

$\phi 0.38[.015]$ (M)
TYP AT POST TIPS



0.64±0.02 [0.025±.001]
 $\phi 0.38[.015]$ (M)
TYP AT POST TIPS

- 1 .00076[.000030] GOLD IN THE CONTACT AREA, .00254[.000100] - .00508[.000200] MATTE TIN-LEAD ON THE SOLDER TAIL, ALL OVER .00127[.000050] NICKEL.
- 2 POINT OF MEASUREMENT FOR PLATING THICKNESS.
- 3 THE NOTED DIMENSIONS APPLY AT THE INTERSECTION OF THE POST AND THE HOUSING.
- 4 .00076[.000030] GOLD IN THE CONTACT AREA, .00254[.000100] - .00508[.000200] MATTE TIN ON THE SOLDER TAIL, ALL OVER .00127[.000050] NICKEL.
- 5 HIGH TEMPERATURE CONFIGURATION.
- 6 STANDOFF NOT PRESENT ON UNDERSIDE OF ASSEMBLY



RECOMMENDED HOLE LAYOUT

REMARKS	PLATING	POST NUMBER OMITTED	C	B	A	NO. OF POSN	PART NO.	
	6 5	4	2,3,5,6,9,10,13,14	41.15 [1.620]	43.18 [1.700]	15	16	5-104912-2
	6 5	4	2, 4, 6, 8, 10	28.45 [1.120]	30.48 [1.200]	10	11	5-104912-1
		1	2,3,5,6,9,10,13,14	41.15 [1.620]	43.18 [1.700]	15	16	104912-2
		1	2, 4, 6, 8, 10	28.45 [1.120]	30.48 [1.200]	10	11	104912-1

THIS DRAWING IS A CONTROLLED DOCUMENT.

DIMENSIONS: mm [INCHES]	TOLERANCES UNLESS OTHERWISE SPECIFIED:	DWN E.BRANDBERG 20-7-94	Tyco Electronics Corporation Harrisburg, Pa 17105-3608																														
<table border="1"> <tr><td>0 PLC</td><td>± -</td></tr> <tr><td>1 PLC</td><td>± -</td></tr> <tr><td>2 PLC</td><td>± 0.13[.005]</td></tr> <tr><td>3 PLC</td><td>± -</td></tr> <tr><td>4 PLC</td><td>± -</td></tr> <tr><td>ANGLES</td><td>± -</td></tr> <tr><td>FINISH</td><td>SEE TABLE</td></tr> </table>	0 PLC	± -		1 PLC	± -	2 PLC	± 0.13[.005]	3 PLC	± -	4 PLC	± -	ANGLES	± -	FINISH	SEE TABLE	<table border="1"> <tr><td>CHK J.GESFORD 20-7-94</td></tr> <tr><td>APVD J.GESFORD 20-7-94</td></tr> <tr><td>PRODUCT SPEC 108-25034</td></tr> <tr><td>APPLICATION SPEC 114-25026</td></tr> <tr><td>WEIGHT -</td></tr> </table>	CHK J.GESFORD 20-7-94	APVD J.GESFORD 20-7-94	PRODUCT SPEC 108-25034	APPLICATION SPEC 114-25026	WEIGHT -	<table border="1"> <tr><td>NAME</td><td>HDR ASSY, VERT, SINGLE ROW</td></tr> <tr><td></td><td>2.54[.100]CL, 0.64[.025] SQ POST, WITH PLZN, AMPMODU MTE</td></tr> <tr><td>SIZE</td><td>A2</td></tr> <tr><td>CAGE CODE</td><td>00779</td></tr> <tr><td>DRAWING NO</td><td>C=104912</td></tr> <tr><td>RESTRICTED TO</td><td>-</td></tr> </table>	NAME	HDR ASSY, VERT, SINGLE ROW		2.54[.100]CL, 0.64[.025] SQ POST, WITH PLZN, AMPMODU MTE	SIZE	A2	CAGE CODE	00779	DRAWING NO	C=104912	RESTRICTED TO
0 PLC	± -																																
1 PLC	± -																																
2 PLC	± 0.13[.005]																																
3 PLC	± -																																
4 PLC	± -																																
ANGLES	± -																																
FINISH	SEE TABLE																																
CHK J.GESFORD 20-7-94																																	
APVD J.GESFORD 20-7-94																																	
PRODUCT SPEC 108-25034																																	
APPLICATION SPEC 114-25026																																	
WEIGHT -																																	
NAME	HDR ASSY, VERT, SINGLE ROW																																
	2.54[.100]CL, 0.64[.025] SQ POST, WITH PLZN, AMPMODU MTE																																
SIZE	A2																																
CAGE CODE	00779																																
DRAWING NO	C=104912																																
RESTRICTED TO	-																																
MATERIAL: HOUSING: FLAME RETARDANT THERMOPLASTIC COLOR - BLACK CONTACTS: BRASS	SEE TABLE	CUSTOMER DRAWING	SCALE 4:1 SHEET 1 OF 1 REV F																														