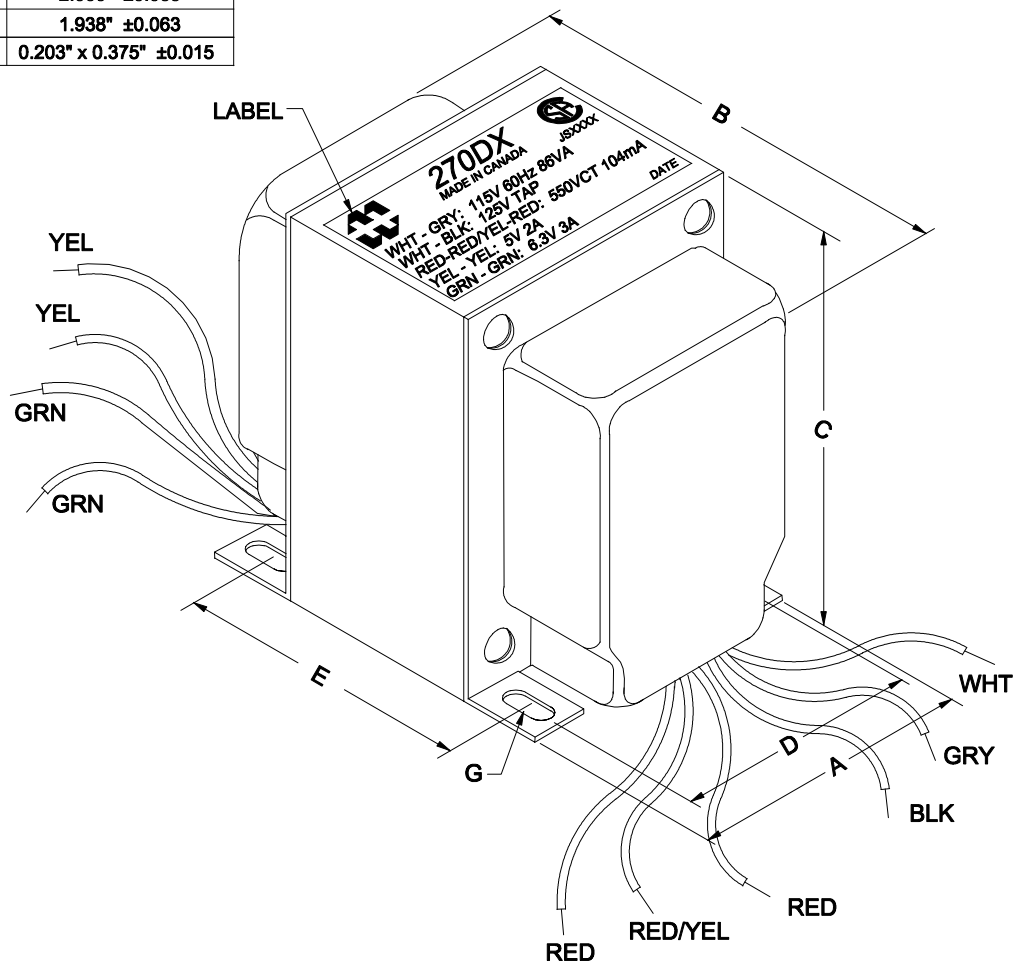
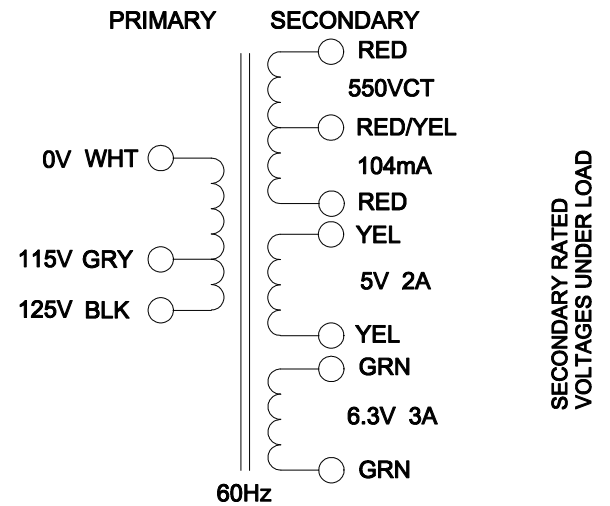


DIMENSIONS:	
A	2.500" ±0.063
B	3.000" ±0.125
C	3.060" ±0.063
D	2.000" ±0.063
E	1.938" ±0.063
G	0.203" x 0.375" ±0.015



NOTE: ALL LEADS 6" OUT MIN. STRIPPED 0.5"



ELECTRICAL DATA:		
TESTS	CONDITIONS	ACCEPTANCE CRITERIA
lex	@ 125V, 60Hz, WHT - BLK	190mA Max.
Sec. N.L.V	@ 125V, 60Hz, WHT - BLK	
	RED - RED =	603.6V ±2%
	RED - RED/YEL = RED/YEL - RED =	301.8V ±2%
	YEL - YEL =	5.498V ±2%
	GRN - GRN =	6.944V ±2%
DCR	@ 20°C, WHT - BLK =	4.468 Ω ±20%
	@ 20°C, RED - RED =	200.0 Ω ±20%
	@ 20°C, YEL - YEL =	0.103 Ω ±20%
	@ 20°C, GRN - GRN =	0.087 Ω ±20%
HIPOT	PRIMARY - SECONDARY	2000V, 60Hz, 1 SEC

REV.#	REVISION	DATE	HAMMOND ELECTRONIC DIVISION	
0	RELEASED.	C.I. 11/08/12	52 RANKIN PLACE, WATERLOO, ONTARIO, N2J 3Z5	
			DWG. BY: C. ILIE	PH # (519) 886-6181
			DATE: 11/08/12	FAX # (519) 886-9540
			CHK'D BY:	TITLE: POWER TRANSFORMER
			APP'D. BY:	DWG. NO. 270DX
			DIMENSIONS: IN(X) MM()	