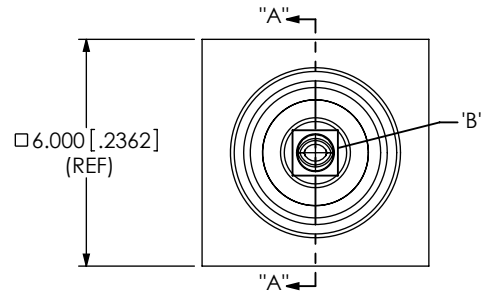
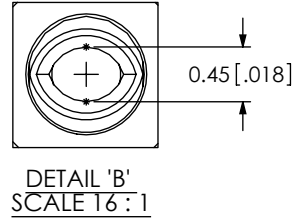


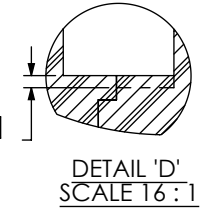
DO NOT SCALE FROM THIS PRINT



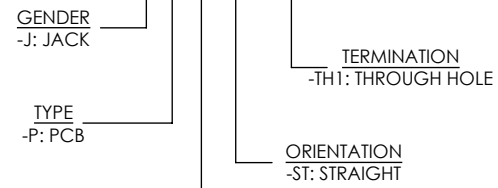
DESIGNED & DIMENSIONED IN MILLIMETERS [INCHES]



0.000 - 0.100 [.0039] TO INSULATOR

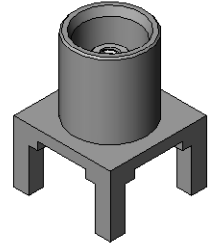
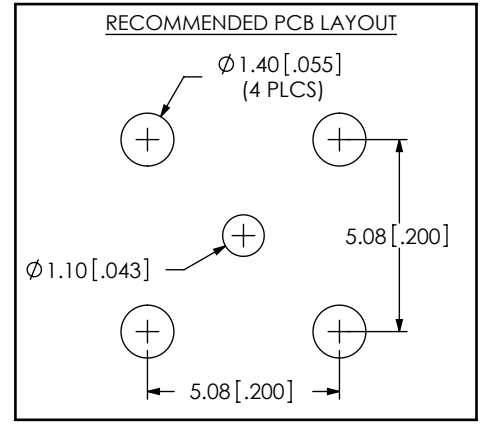
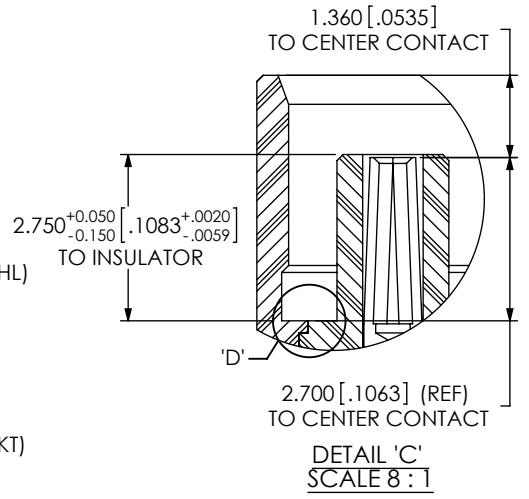
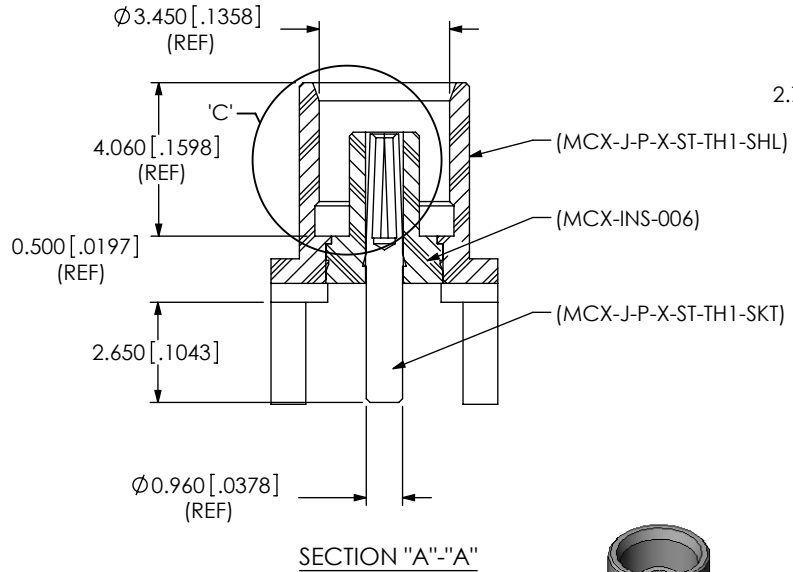
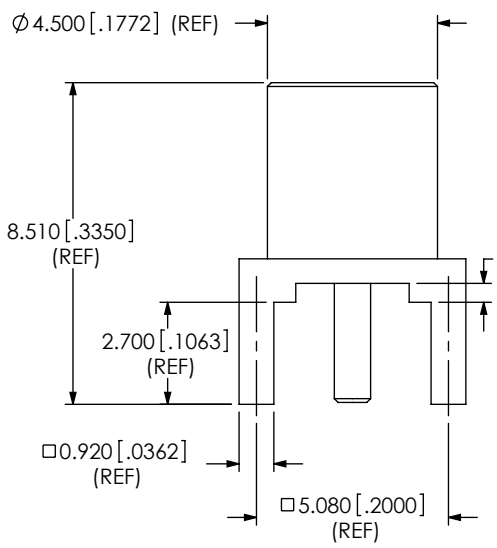


MCX-J-P-X-ST-TH1



PLATING SPECIFICATION

- H: HEAVY GOLD (MCX-J-P-F-ST-TH1-SHL)
- (MCX-INS-006)
- (MCX-J-P-H-ST-TH1-SKT)



C:\EnterpriseVault\DWG\MISC\MKTG\MCX-J-P-X-ST-TH1-MKT.SLDDRW

- NOTES:
- ⊕ REPRESENTS A CRITICAL DIMENSION.
 - PUSHOUT FORCE FOR INSULATOR: 20 N [4.5 LB] MIN.
 - PUSHOUT FORCE FOR CENTER CONTACT: 10 N [2.25 LB] MIN.
 - PRODUCT TO BE PACKAGED PER PACKAGING STANDARD CO-HD-WI-3040-M.
 - RoHS COMPLIANT.
 - PLATING: -H: .000030" MIN GOLD OVER .000050" MIN NICKEL
-F: .000003" MIN GOLD OVER .000050" MIN NICKEL
 - ASSEMBLY PLATING DESIGNATIONS:
-H: (CENTER CONTACT) -H
(OUTER CONTACT) -F

UNLESS OTHERWISE SPECIFIED, DIMENSIONS ARE IN MILLIMETERS. TOLERANCES ARE:
 DECIMALS ANGLES
 .X: ±0.3 [.01] 2°
 .XX: ±0.13 [.005]
 .XXX: ±0.051 [.0020]

PROPRIETARY NOTE
 THIS DOCUMENT CONTAINS INFORMATION CONFIDENTIAL AND PROPRIETARY TO SAMTEC, INC. AND SHALL NOT BE REPRODUCED OR TRANSFERRED TO OTHER DOCUMENTS OR DISCLOSED TO OTHERS OR USED FOR ANY PURPOSE OTHER THAN THAT WHICH IT WAS OBTAINED WITHOUT THE EXPRESSED WRITTEN CONSENT OF SAMTEC, INC.

MATERIAL: DO NOT SCALE DRAWING SHEET SCALE: 5:1
 CONTACT: COPPER ALLOY
 SHELL: BRASS
 DIELECTRIC: PTFE

samtec
 520 PARK EAST BLVD. NEW ALBANY, IN 47150
 PHONE: 812-944-6733 FAX: 812-948-5047
 e-Mail: info@SAMTEC.com code 55322

DESCRIPTION: MCX STRAIGHT, THROUGH HOLE JACK- 50 OHM
 DWG. NO. MCX-J-P-X-ST-TH1

BY: R MUSSER 02/06/2008 SHEET 1 OF 1