

MATERIALS LIST:

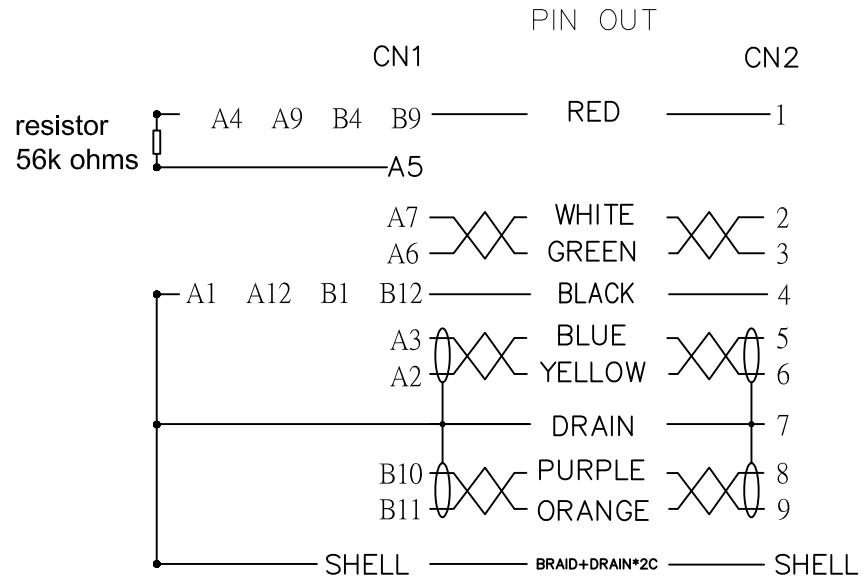
1. CABLE: (7/0.082TA*1PR+EAM)*2+7/0.08TA*1PR+7/0.16TA*2C+AEB(AL)
65% USB 3.1 OD: 4.0mm JACKET PVC COLOR: BLACK(Y160622009)
MANUFACTURER: SPACE SHUTTLE HI-TECH CO,LTD & EQUATION
2. CONNECTOR: USB 3.1 C MALE,INSULATOR BLACK,NICKEL PLATED SHELL
PIN GOLD PLATED.(RP: 56K)
MANUFACTURER: DEREN & EQUATION
3. CONNECTOR: USB 3.1 A MALE,INSULATOR BLUE,NICKEL PLATED SHELL
PIN GOLD PLATED.
MANUFACTURER: MAIN SUPER & EQUATION
4. PVC MOLDED: V398 45P BLACK
MANUFACTURER: HONGYU & EQUATION

ELECTRONIC TEST:

A. OPEN/SHORT/INTERMITTENCE: 100%.

REMARK:

- 1.ALL MATERIALS TO MEET RoHS
- 2.CHECK IMPORTANT SIZE: Y1&Y3



CnC Tech, LLC			
Industrial Cable and Connector Technology			
DRAWN BY	LEIZN	DARWING NO.	
CHECKED BY		CUSTOMER	
APPROVAL BY		ITEM NO.	105-1032-BL-00200
DECIDE BY		DATE	17.11.01
VERSIONS/EDITEON	A/0	PROJECTION	

00		APPROVED	LEIZN	17.10.31
REV	ECN NO	DESCRIPTION	D.B	DATE