



PAN-WAY MINI-COM
SLOPED SNAP-ON FACEPLATES

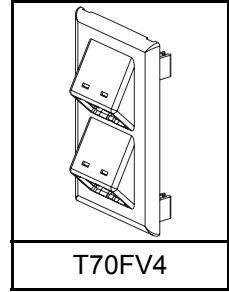
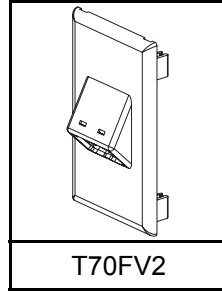
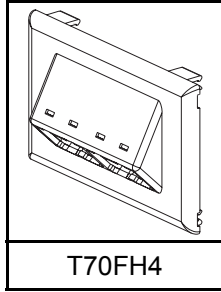
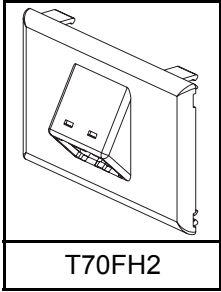
PART NUMBERS: T70FH2, T70FH4, T70FV2, T70FV4, UIT70FH2, UIT70FH4, UIT70FV2, UIT70FV4
OF70FH2, OF70FH4, OF70FV2, OF70FV4

FOR USE WITH PANDUIT
T-70, TWIN-70, TE70, TG-70 AND OFCR70
SURFACE RACEWAY ROUTING SYSTEMS
AND FAST-SNAP JUNCTION BOXES

INSTALLATION INSTRUCTIONS

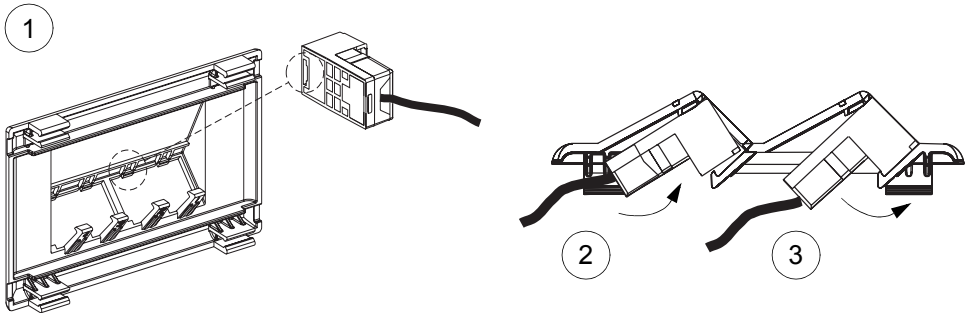
©Panduit Corp. 2008

Printed In USA

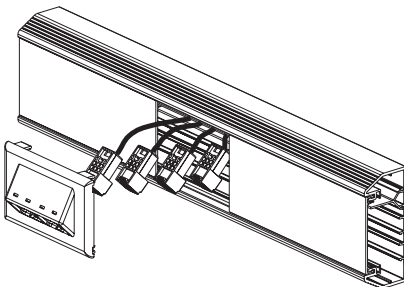


NOTE: PANDUIT ICON PART NUMBERS CIP**-C AND CID**-C CAN BE USED WITH THE ABOVE FACEPLATES.

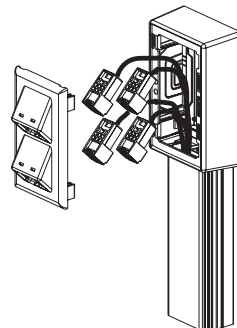
TYPICAL INSTALLATION



T-70 APPLICATION

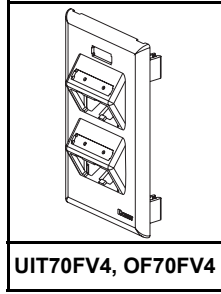
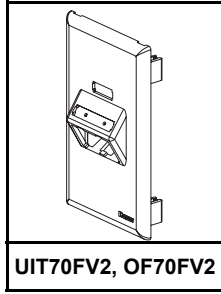
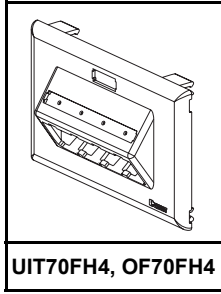
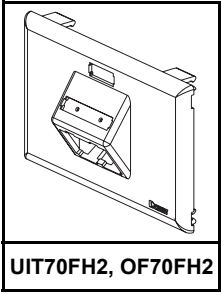


FAST-SNAP JUNCTION BOX APPLICATION



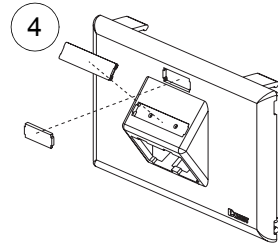
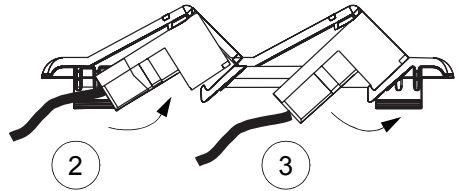
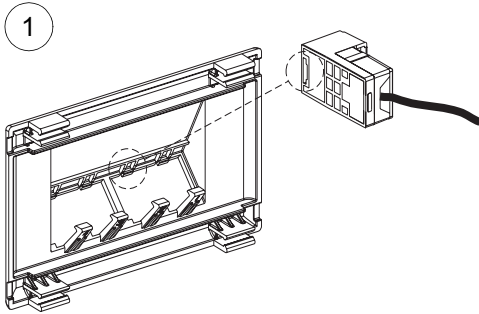
For Technical Assistance, Call: 800-777-3300

INSTALLATION INSTRUCTIONS

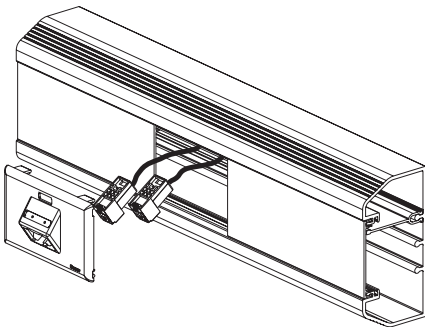


NOTE: PANDUIT ICON PART NUMBERS UICIB**, UICIP** AND UICID** CAN BE USED WITH THE ABOVE FACEPLATES.

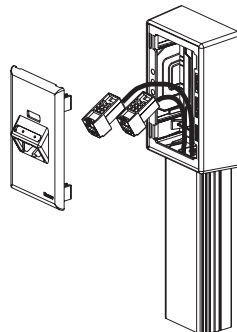
TYPICAL INSTALLATION



TG-70 APPLICATION



FAST-SNAP JUNCTION BOX APPLICATION



Instruction Sheet RW71E

WORLDWIDE SUBSIDIARIES AND SALES OFFICES

17301 Ridgeland Avenue
Tinley Park, IL 60477-3901
Web Site: www.panduit.com



Fax: 708-532-1811
Technical Support: 800-777-3300