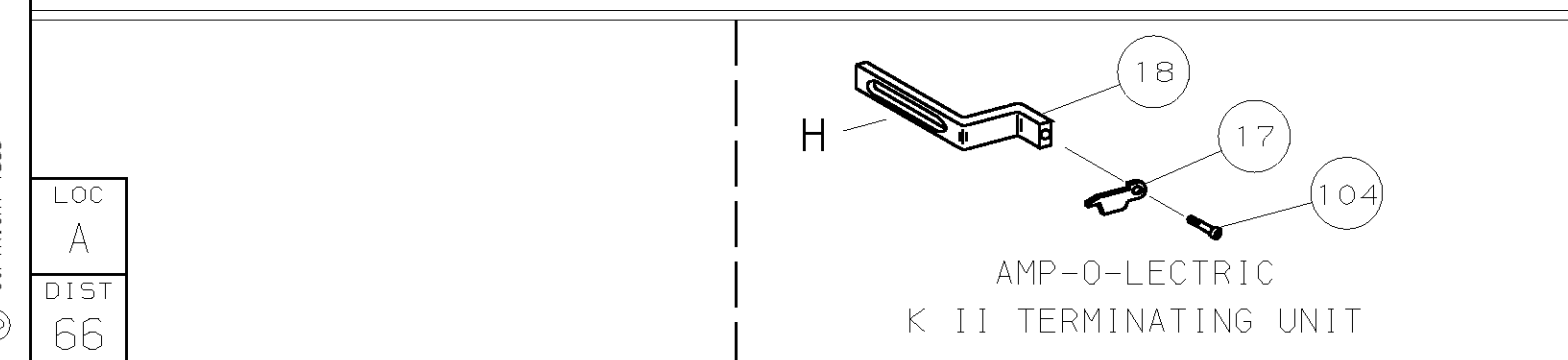
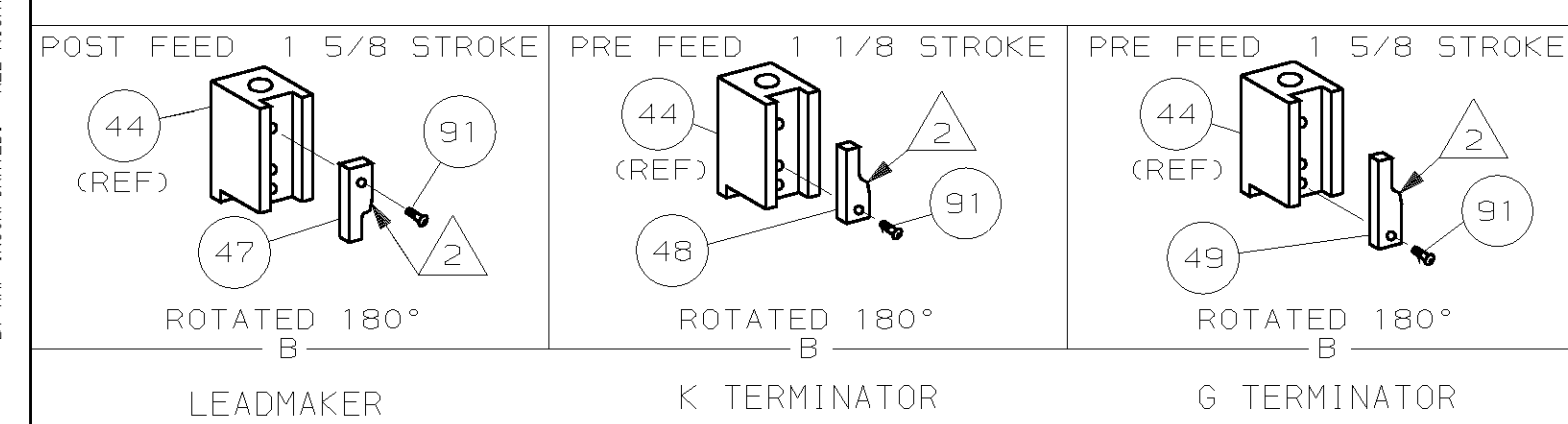
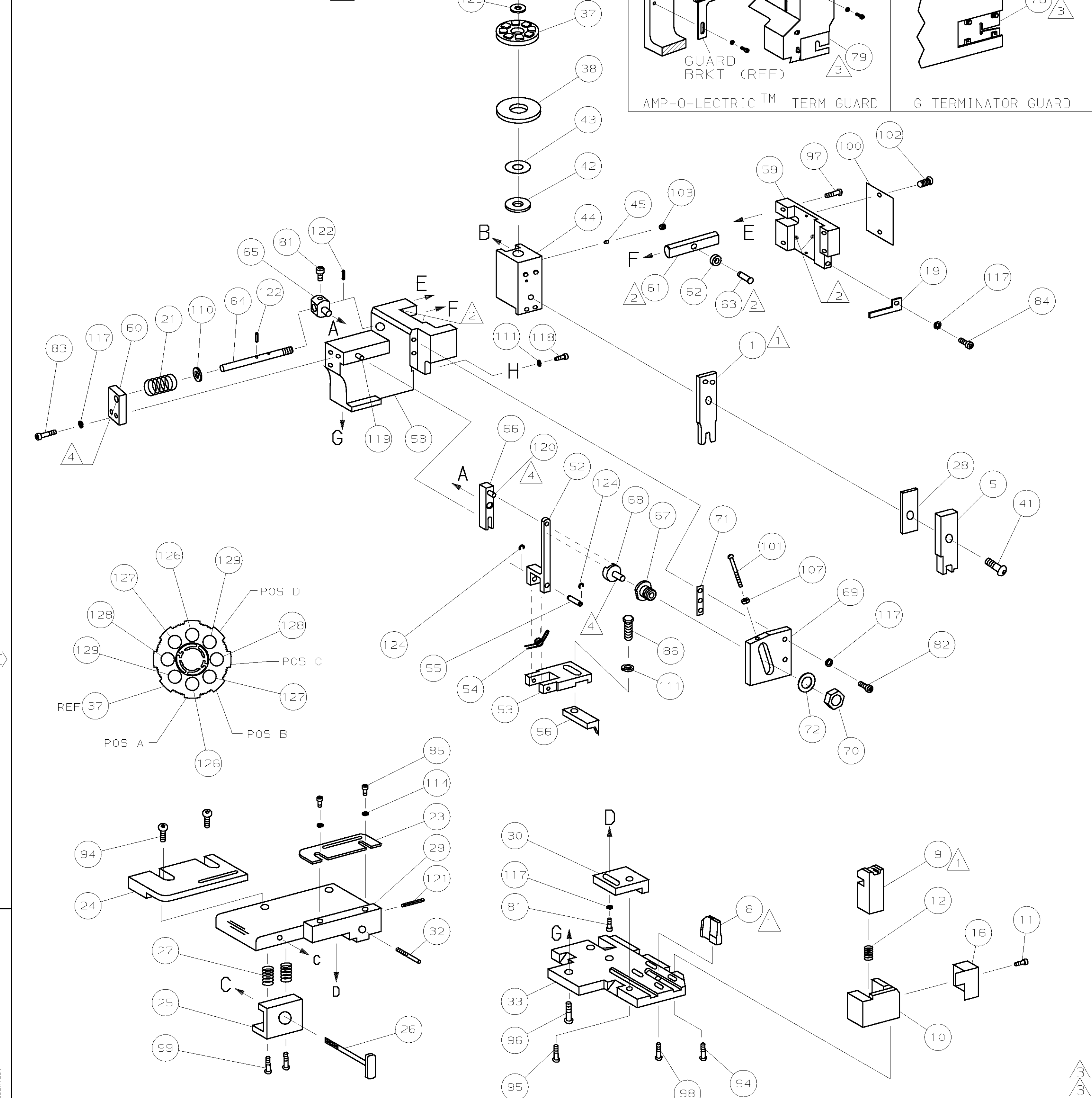


PART NUMBER	REV	FIRST USED
567295-1	M	122500-1
567295-2	M	565435-5
567295-3	M	354500-1



- 1 RECOMMENDED SPARE PARTS.
- 2 GREASE LIGHTLY.
- 3 GUARD MUST BE IN PLACE WHEN OPERATING APPLICATOR IN A BENCH MACHINE.
- 4 LUBRICATE DAILY USING NO. 20 MACHINE OIL.
- 5 G TERMINATOR WILL APPLY END OF WIRE SPLICE ONLY.

TERMINAL NAME: SPLICE		CRIMPING DATA			
60372		PAD LTR	CRIMP HEIGHT	WIRE SIZE	
A	.075 ±.002 [1.91 ±0.05mm]			16	
B	.071 ±.002 [1.80 ±0.05mm]			3(22)	
C	.070 ±.002 [1.78 ±0.05mm]			18	
D	.065 ±.002 [1.65 ±0.05mm]			20	
CRIMP	SIZE	TYPE	RANGE		
WIRE	.090 [2.29mm]	F	20-16		
INSUL	-	-	-		
WIRE STRIP LENGTH	TERM APPL SPEC	FEED	APPL INSTRUCTION	SET UP GAGE	LAYOUT
.235-.275	114-2088	.350	408-8040	458637-1	L1314

QTY	REQD	PER	ASSY	PART NO	DESCRIPTION	ITEM NO	
2	2	2	-	C	9-354778-1	PIN, WIRE DISC (.2950)D	129
2	2	2	-	C	8-354778-1	PIN, WIRE DISC (.2900)C	128
2	2	2	-	C	7-354778-9	PIN, WIRE DISC (.2890)B	127
2	2	2	-	C	7-354778-1	PIN, WIRE DISC (.2850)A	126
1	1	1	-	A	986950-1	WASHER, FLAT PRECISION	125
2	2	2	-	A	21045-3	RING, RET "C" (Ø.187)FD FING PIN	124
2	2	2	-	A	5-21028-1	PIN, SLT SPR (Ø.125x.50)ADJ ROD	122
1	1	1	-	A	4-21028-0	PIN, SLT SPR (Ø.093x.75)ST GDE PL	121
1	1	1	-	A	1-21030-1	PIN, DOWEL (Ø.187x.50)LEVER	120
1	1	1	-	A	1-21030-6	PIN, DOWEL (Ø.187x1.25)HOUSING	119
1	1	-	-	A	2-21000-7	SCR, SHC (8-32x.50)STRIPPER	118
6	6	6	-	A	21024-5	WASHER, LOCK (#10)ADJ BLOCK	117
							116
							115
2	2	2	-	A	21024-2	WASHER, LOCK (#4)FRONT STP GUIDE	114
							113
							112
2	2	1	-	A	21024-4	WASHER, LOCK (#8)HOLDER	111
1	1	1	-	A	21899-4	WASHER, FLAT (Ø5/16) SCREW ADJ	110
							109
							108
1	1	1	-	A	21018-5	NUT, HEX (6-32)FEED ADJ	107
							106
							105
1	1	-	-	A	456567-1	SCR, SHLD (Ø.188x.12)STRIP	104
1	1	1	-	A	21009-2	SCR, SKT 5ET (1/4-20x.25 LW)RAM	103
2	2	2	-	A	21017-2	SCR, DRIVE (#2x.19)ID PLATE	102
1	1	1	-	A	6-23715-5	SCR, PAN HD (6-32x1.50)FEED ADJ	101
1	1	1	-	B	461264-1	PLATE, IDENTIFICATION	100
2	2	2	-	A	3-21002-0	SCR, BHC (10-32x.88)DRAG	99
1	1	1	-	A	22733-8	SCR, BHC (8-32x.38 LW)ANVIL	98
2	2	2	-	A	2-21002-9	SCR, BHC (10-32x.75)CAP	97
3	3	3	-	A	2-22733-8	SCR, BHC (1/4-20x.62)HOUSING	96
1	1	1	-	A	2-21002-7	SCR, BHC (10-32x.50)56 ADJ BLOCK	95
4	4	4	-	A	2-21002-2	SCR, BHC (8-32x.50)TERM H DWN	94
							93
							92
1	1	1	-	A	1-21002-7	SCR, BHC (6-32x.38)CAM	91
							90
							89
							88
							87
1	1	1	-	A	2-22603-0	SCR, HEX HD (8-32x.31)FEED FINGER	86
2	2	2	-	A	1-21000-3	SCR, SHC (4-40x.25)F ST GUIDE	85
1	1	1	-	A	7-21000-5	SCR, SHC (10-32x.25)STRIPPER	84
2	2	2	-	A	3-21000-7	SCR, SHC (10-32x.75)FEED ROD GD	83
2	2	2	-	A	3-21000-6	SCR, SHC (10-32x.62)FEED ADJ BLK	82
2	2	2	-	A	3-21000-4	SCR, SHC (10-32x.38)56 ADJ BL	81
							80
-	REF	-	-	B	455749-1	GUARD, WINDOW	79
REF	-	-	-	B	679532-1	INSERT, GUARD	78
							77
							76
							75
							74
							73
1	1	1	-	A	458109-1	WASHER, SPECIAL	72
1	1	1	-	A	690517-1	SPACER	71
-3	-2	-1	U/M	DWG SIZE	PART NO	DESCRIPTION	ITEM NO
QTY REQD PER ASSY				PARTS LIST			

QTY	REQD	PER	ASSY	PART NO	DESCRIPTION	ITEM NO	
-1					LEADMAKER		
-2					BENCH MODEL K	MECH PRE FEED	
-3					BENCH MODEL G	MECH PRE FEED	
1	1	1	-	B	22594-8	NUT, HEX (1/2-20)	70
1	1	1	-	B	240628-1	PLATE, ADJUSTMENT	69
1	1	1	-	B	240626-1	SHAFT, PIVOT	68
1	1	1	-	B	240633-1	BUSHING	67
1	1	1	-	A	455680-1	LEVER, INTERMEDIATE	66
1	1	1	-	B	240629-1	BLOCK, PIVOT	65
1	1	1	-	A	240632-2	SCREW, ADJ FEED ROD	64
1	1	1	-	B	240659-3	PIN, CAM ROLLER	63
1	1	1	-	B	240658-1	ROLLER, CAM	62
1	1	1	-	B	454398-2	ROD, FEED	61
1	1	1	-	A	454178-1	GUIDE, FEED ROD	60
1	1	1	-	C	844781-2	CAP, RAM	59
1	1	1	-	D	454485-1	HOUSING	58
							57
1	1	1	-	B	1-694433-7	PAWL, FEED	56
1	1	1	-	B	240624-1	PIN, FEED FINGER	55
1	1	1	-	B	691499-1	SPRING, FEED FINGER	54
1	1	1	-	A	690541-1	HOLDER, FEED FINGER	53
1	1	1	-	B	455679-1	LEVER, TERMINAL FEED ARM	52
							51
							50
1	-	-	-	B	690602-6	CAM, PRE-FEED 1 5/8 ST	49
-	1	-	-	B	690602-5	CAM, PRE-FEED 1 1/8 ST	48
-	-	1	-	B	690501-4	CAM, POST-FEED 1 5/8 ST	47
							46
1	1	1	-	A	690191-1	PLUG, NYLON	45
1	1	1	-	C	455673-1	RAM	44
1	1	1	-	A	690125-1	WASHER, LAMINATED	43
1	1	1	-	A	690124-1	WASHER, RAM	42
1	1	1	-	A	7-21002-9	BOLT, CRIMPER (5/16x1.00)	41
							40
							39
1	1	1	-	A	690223-2	SPACER, INSULATION DISC	38
1	1	1	-	D	354777-1	WIRE DISC, PLASTIC	37
1	1	1	-	A	22480-5	WASHER, SPRING	36
1	1	1	-	B	690212-1	POST, RAM	35
							34
1	1	1	-	D	455675-1	PLATE, BASE	33
1	1	1	-	A	690432-3	SCREW, ADJUSTMENT	32
							31
1	1	1	-	B	455689-1	BLOCK, STRIP GUIDE ADJ	30
1	1	1	-	C	455671-1	PLATE, STRIP GUIDE	29
1	1	1	-	C	4-455888-2	SPACER, FRONT SHEAR DEP	28
2	2	2	-	A	1-22284-0	SPRING, DRAG	27
1	1	1	-	B	690546-1	LEVER, DRAG RELEASE	26
1	1	1	-	B	240792-1	DRAG, TERMINAL	25
1	1	1	-	D	690748-8	GUIDE, STRIP (REAR)	24
1	1	1	-	A	693855-2	GUIDE, STRIP (FRONT)	23
							22
1	1	1	-	A	4-22284-9	SPRING, FEED RETURN	21
							20
1	1	1	-	B	852076-1	STRIPPER	19
1	1	-	-	B	458950-1	STRIPPER, WIRE STOP	18
1	1	-	-	B	458949-1	STRIPPER	17
1	1	1	-	B	691667-1	GUARD, CHIP (FRONT)	16
							15
							14
							13
1	1	1	-	A	6-22279-4	SPRING, SHEAR	12
1	1	1	-	B	690461-1	STOP, SHEAR	11
1	1	1	-	C	468798-1	HOLDER, SHEAR (FRONT)	10
1	1	1	-	C	462006-3	SHEAR, FLOAT (FRONT)	9
1	1	1	-	C	4-683403-3	ANVIL	8
							7
							6
1	1	1	-	C	1-455889-4	DEPRESSOR, SHEAR (FRONT)	5
							4
							3
							2
1	1	1	-	C	4-456406-5	CRIMPER, WIRE	1
-3	-2	-1	U/M	DWG SIZE	PART NO	DESCRIPTION	ITEM NO
QTY REQD PER ASSY				PARTS LIST			