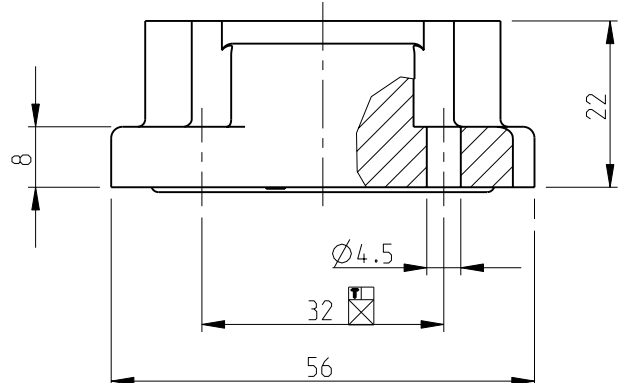
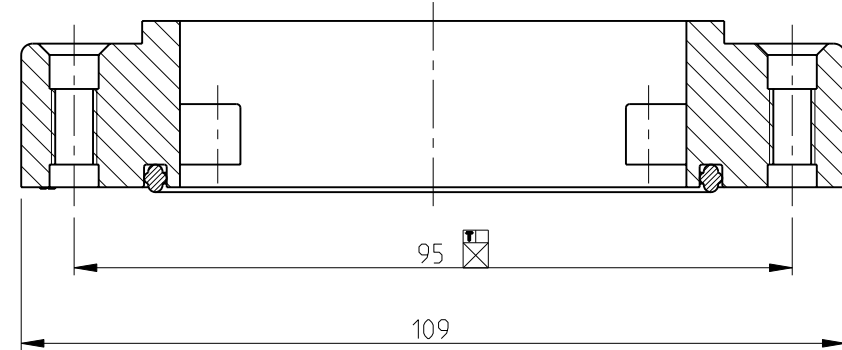


THIS DRAWING IS UNPUBLISHED. RELEASED FOR PUBLICATION .1997

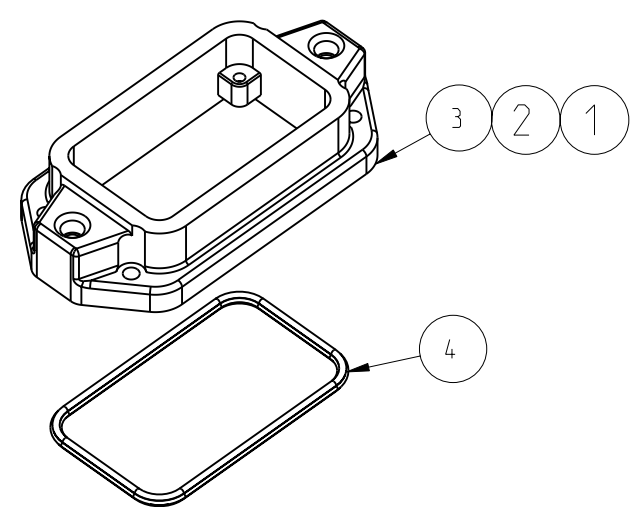
© COPYRIGHT 1997 BY TYCO ELECTRONICS CORPORATION. ALL RIGHTS RESERVED.

LOC	DIST	REVISIONS					
A1	-	P	LTR	DESCRIPTION	DATE	DWN	APVD
		A6		RELEASED AS PER ECR 08-023624	18-SEP-2008	GG	TS

PN 3-5,4-5 & 0-1

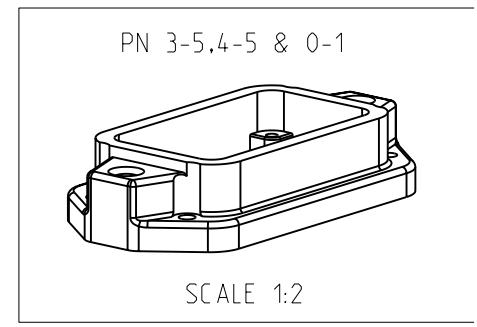
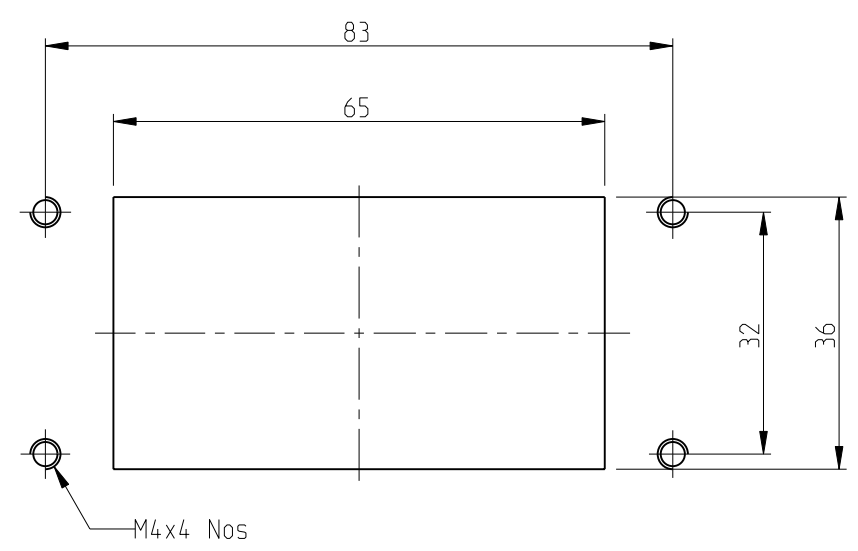


- NOTES.
- 1 MATERIAL: SEE TABLE
 - 2 SURFACE: SEE TABLE
 - 3 VARNISH ON THE INSIDE NOT NECESSARY
 - 4 PACKAGING QUANTITY 5 PIECES IN A BOX



SCALE 1:2

PANEL CUT-OUT



QTY	QTY	QTY	DESCRIPTION	MATERIAL	SURFACE	COLOR	ITEM NO	NOTES
1	1	1	SEAL BG4	NEOPRENE	-	BLACK	4	CONDUCTIVE
1	-	-	SURFACE MOUNTED HOUSING BOTTOM ENTRY FINISHED PRODUCT SIZE4	ALUMINIUM	-	WITHOUT VARNISH	3	EMV
-	1	-	SURFACE MOUNTED HOUSING BOTTOM ENTRY FINISHED PRODUCT SIZE4	ALUMINIUM	YELLOW CHROMATED	BLACK RAL 9005	2	EMV-K
-	-	1	SURFACE MOUNTED HOUSING BOTTOM ENTRY FINISHED PRODUCT SIZE4	ALUMINIUM	-	GREY RAL 7001	1	EMV
0-1	4-5	3-5						
			ORDERING TEXT					
			EMV.10/24.AG					
			EMV-K.10/24.AG					
			EMV.10/24.AG					

THIS DRAWING IS A CONTROLLED DOCUMENT FOR TYCO ELECTRONICS CORPORATION IT IS SUBJECT TO CHANGE AND THE CONTROLLING ENGINEERING ORGANIZATION SHOULD BE CONTACTED FOR THE LATEST REVISION.

DIMENSIONS:		TOLERANCES UNLESS OTHERWISE SPECIFIED:	
mm		n. ISO 8015: n. ISO 2768-mS-E: n. DIN 15001-120	
0 PLC	±	1 PLC	±
2 PLC	±	3 PLC	±
4 PLC	±	ANGLES	±
MATERIAL	1	FINISH	2

DWN	Kramer	20.05.98		Tyco Electronics.AMP.GmbH	
CHK	Schweiger	20.05.98		53757.SanktAugustin.Germany	
APVD	-	-	NAME		
PRODUCT SPEC			SURFACE MOUNTED HOUSING BOTTOM ENTRY		
APPLICATION SPEC			EMV/EMV-K.10/24		
WEIGHT	-	SIZE	A3	CAGE CODE	00779
CUSTOMER DRAWING		DRAWING NO	C=1102718		RESTRICTED TO
SCALE		1:1	SHEET		1 OF 1
REV		A6			