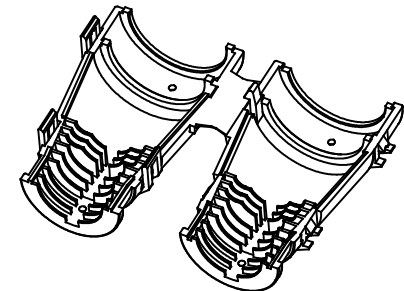
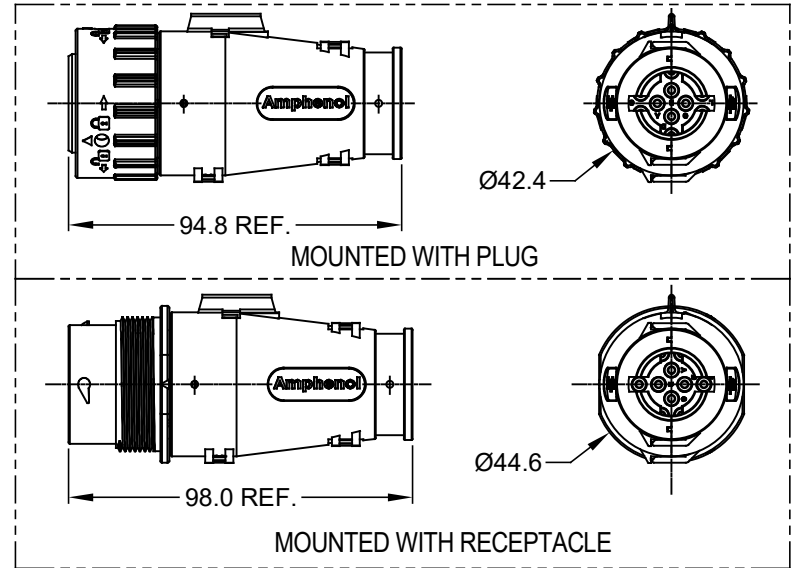
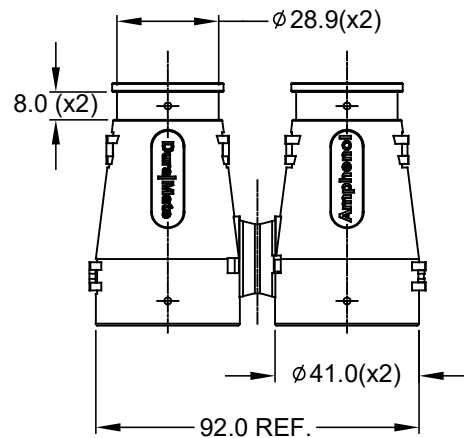
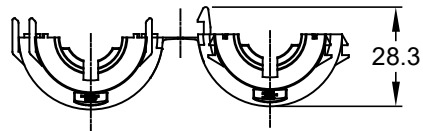
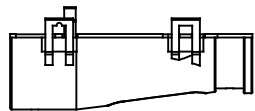
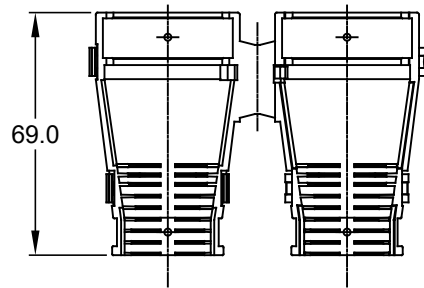


REVISIONS

REV	ECO	DESCRIPTION	DATE	BY	APPR
01		FIRST ISSUE	Jan 22-2018	WILBER	TOMMY



NOTES: UNLESS OTHERWISE SPECIFIED

1. MATERIAL: THERMOPLASTIC,COLORS: BLACK
2. USE WITH AHDP04/06-18-*P/S-WTA
3. CABLE EXIT DESIGNED FOR CORRUGATED TUBE NW 13,17 AND 19.
4. RoHS COMPLIANT
5. ALL DIMENSIONS ARE FOR REFERENCE USE ONLY.

AHDPBS-016-1805		DESCRIPTION		ITEM
QUANTITY	PART NUMBER	MATERIALS LIST		
UNLESS OTHERWISE SPECIFIED 1) All dimensions are in metric(mm). 2) Tolerances are as follows: 1 PL DEC ±0.50 2 PL DEC ±0.15 3 PL DEC ±0.08 3) Note reference =		SIGNATURES DATE DRAWN: Wilber Liu Jan 22-2018 CHECKED: Orion.Li Jan 22-2018 ENGINEER: APPROVAL: TOMMY.Xie Jan 22-2018		<h1>Amphenol</h1> <p>Sine Systems - www.amphenol-sine.com 44724 Morley Drive Clinton Township, MI 48036</p>
MATERIAL SPECIFICATIONS:		CUSTOMER:		
PROCESS SPECIFICATIONS:		THIS DRAWING IS SUPPLIED FOR INFORMATION ONLY. DESIGN FEATURES, SPECIFICATIONS AND PERFORMANCE DATA SHOWN HEREON ARE THE PROPERTY OF THE AMPHENOL CORPORATION. NO RIGHTS OF REPRODUCTION ARE IMPLIED. ALL DIMENSIONS ARE SUBJECT TO NORMAL MANUFACTURING VARIATIONS.		SIZE: A C- DWG NO: AHDPBS-016-1805 REVISION: 01
NEXT ASSY:		SCALE: NONE		SHEET 1 OF 1