



LAYOUT SHOWN AS EXAMPLE

Keying Shown as example

CHARACTERISTICS

- Standard : Based on MIL-DTL-38999 Series III
- Shell Material : Aluminium
- Shell Plating : Olive drab Cadmium
- Insulator : Thermoplastic
- Contacts : Copper Alloy
- Seals & Grommet : Silicon Elastomer
- Contact Plating : Gold over copper Alloy 0.8µm minimum
- Durability : 500 Mating cycles
- Delivered with Souriau contacts and Accessories
- Temperature Range : -65°C to +175°C
- Salt Spray : 500 hours
- Mass : 55.73 g ± 10%

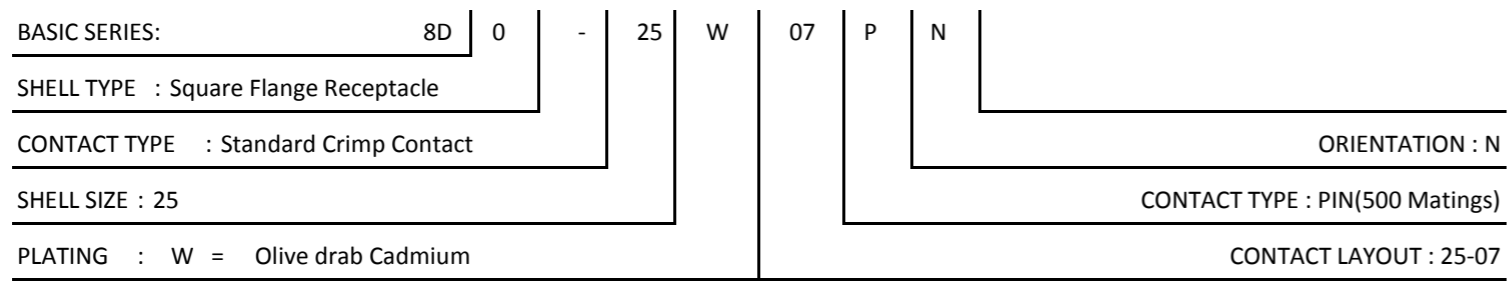
| Connector dimension | |
|---------------------|---------------|
| Dim | Nominal |
| P | 3.91±0.2 |
| PP | 6.15±0.2 |
| R1 | 38.1 |
| R2 | 34.93 |
| S | 46±0.3 |
| V | 20.07+0/-1.25 |
| W | 2.1/3.2 |
| Z | 31.5 Max |
| VV THREAD | M37x1-6g |

SOURIAU shall not be liable for any non-conformity or damage due to a use of the Products which does not comply with the Specifications issued by either of the Parties or by a third party (professional recommendation, technical notice.)

| | |
|---------|-----------------------------|
| Country | Jurisdiction & Control List |
| FR | Not Listed |

PN: 8D025W07PN

| | | | |
|----------------|---------------------------------------|--------------------------------|---|
| A | 08-10-2016 | First Release | |
| ISS | DATE | Latest modification - by | MOD N° |
| Designed By: | | Date: | CUSTOMER DRAWING |
| TITLE | Aluminium Receptacle 8D series | | |
| SCALE | | General linear Tolerances: ±-- | NPRDS / PROJECT 859 |
| NA | | | This document is the property of SOURIAU it must not be reproduced or communicated without permission |
| SOURIAU | WWW.SOURIAU.COM | | |
| FORMAT | SOURIAU DRG N° 8D025W07PN-C | | SHEET 1/2 |



4
3
2
1

4
3
2
1

Contact Layout



(Inactive for new design for MIL-DTL-38999. For new design, use arrangement no. 25-9.)

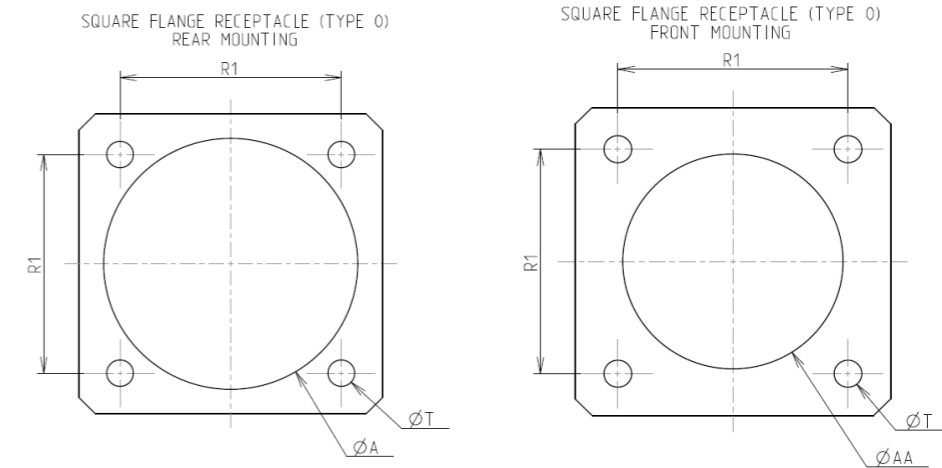
| Contacts (Insert arrangement 25-7) | | | | | |
|---------------------------------------|--------------|-------------|---------------------|-------------|--------------|
| Contact position ID | Location | | Contact position ID | Location | |
| | X-axis (mm) | Y-axis (mm) | | X-axis (mm) | Y-axis (mm) |
| 1 | -494 (12.55) | +242 (6.15) | 51 | +000 (0.00) | -106 (2.69) |
| 2 | -533 (13.54) | +130 (3.51) | 52 | -000 (0.00) | -212 (5.30) |
| 3 | -550 (13.97) | +028 (0.71) | 53 | +000 (0.00) | -310 (7.87) |
| 4 | -544 (13.82) | -083 (2.11) | 54 | +000 (0.00) | -551 (14.00) |
| 5 | -516 (13.11) | -191 (4.85) | 55 | +056 (1.42) | +548 (13.92) |
| 6 | -467 (11.86) | -292 (7.42) | 56 | +095 (2.41) | +461 (11.71) |
| 7 | -435 (11.05) | +337 (8.56) | 57 | +068 (1.73) | +370 (9.40) |
| 8 | -399 (10.13) | +249 (6.32) | 58 | +092 (2.34) | +278 (7.06) |
| 9 | -441 (11.20) | +163 (4.14) | 59 | +095 (2.41) | +183 (4.65) |
| 10 | -465 (11.81) | +071 (1.80) | 60 | +089 (2.26) | -178 (4.52) |
| 11 | -470 (11.94) | -024 (0.61) | 61 | +094 (2.39) | -277 (7.04) |
| 12 | -456 (11.58) | -118 (3.00) | 62 | +069 (1.75) | -376 (9.55) |
| 13 | -423 (10.74) | -207 (5.26) | 63 | +048 (1.22) | -468 (11.89) |
| 14 | -372 (9.45) | -288 (7.32) | 64 | +165 (4.19) | +525 (13.34) |

| Contacts (Insert arrangement 25-7) | | | | | |
|---------------------------------------|--------------|--------------|---------------------|--------------|--------------|
| Contact position ID | Location | | Contact position ID | Location | |
| | X-axis (mm) | Y-axis (mm) | | X-axis (mm) | Y-axis (mm) |
| 15 | -399 (10.13) | -379 (9.63) | 65 | +186 (4.72) | +433 (11.00) |
| 16 | -359 (9.12) | +418 (10.62) | 66 | +164 (4.17) | +340 (8.64) |
| 17 | -341 (8.66) | +324 (8.23) | 67 | +181 (4.60) | +225 (5.72) |
| 18 | -308 (7.82) | +222 (5.64) | 68 | +172 (4.37) | -223 (5.66) |
| 19 | -303 (7.70) | -223 (5.66) | 69 | +159 (4.04) | -347 (8.81) |
| 20 | -307 (7.80) | -357 (9.07) | 70 | +141 (3.58) | -449 (11.40) |
| 21 | -314 (7.98) | -452 (11.48) | 71 | +111 (2.82) | -539 (13.69) |
| 22 | -267 (6.78) | +481 (12.22) | 72 | +267 (6.78) | +481 (12.22) |
| 23 | -269 (6.83) | +386 (9.80) | 73 | +269 (6.83) | +386 (9.80) |
| 24 | -247 (6.27) | +294 (7.47) | 74 | +247 (6.27) | +294 (7.47) |
| 25 | -238 (6.05) | +000 (0.00) | 75 | +238 (6.05) | +000 (0.00) |
| 26 | -237 (6.02) | -292 (7.42) | 76 | +237 (6.02) | -292 (7.42) |
| 27 | -228 (5.79) | -412 (10.46) | 77 | +228 (5.79) | -412 (10.46) |
| 28 | -217 (5.51) | -506 (12.85) | 78 | +217 (5.51) | -506 (12.85) |
| 29 | -165 (4.19) | +525 (13.34) | 79 | +359 (9.12) | +418 (10.62) |
| 30 | -186 (4.72) | +433 (11.00) | 80 | +341 (8.66) | +324 (8.23) |
| 31 | -164 (4.17) | +340 (8.64) | 81 | +308 (7.82) | +222 (5.64) |
| 32 | -181 (4.60) | +225 (5.72) | 82 | +303 (7.70) | -223 (5.66) |
| 33 | -172 (4.37) | -223 (5.66) | 83 | +307 (7.80) | -357 (9.07) |
| 34 | -159 (4.04) | -347 (8.81) | 84 | +314 (7.98) | -452 (11.48) |
| 35 | -141 (3.58) | -449 (11.40) | 85 | +435 (11.05) | +337 (8.56) |
| 36 | -111 (2.82) | -539 (13.69) | 86 | +399 (10.13) | +249 (6.32) |
| 37 | -056 (1.42) | +548 (13.92) | 87 | +441 (11.20) | +163 (4.14) |
| 38 | -095 (2.41) | +461 (11.71) | 88 | +465 (11.81) | +071 (1.80) |
| 39 | -068 (1.73) | +370 (9.40) | 89 | +470 (11.94) | -024 (0.61) |
| 40 | -092 (2.34) | +278 (7.06) | 90 | +456 (11.58) | -118 (3.00) |
| 41 | -095 (2.41) | +183 (4.65) | 91 | +423 (10.74) | -207 (5.26) |
| 42 | -089 (2.26) | -178 (4.52) | 92 | +372 (9.45) | -288 (7.32) |

| Contacts (Insert arrangement 25-7) | | | | | |
|---------------------------------------|-------------|--------------|---------------------|--------------|-------------|
| Contact position ID | Location | | Contact position ID | Location | |
| | X-axis (mm) | Y-axis (mm) | | X-axis (mm) | Y-axis (mm) |
| 43 | -094 (2.39) | -277 (7.04) | 93 | +399 (10.13) | -379 (9.63) |
| 44 | -069 (1.75) | -376 (9.55) | 94 | +494 (12.55) | +242 (6.15) |
| 45 | -048 (1.22) | -468 (11.89) | 95 | +533 (13.54) | +138 (3.51) |
| 46 | +000 (0.00) | +471 (11.96) | 96 | +550 (13.97) | +028 (0.71) |
| 47 | +000 (0.00) | +303 (7.70) | 97 | +544 (13.82) | -083 (2.11) |
| 48 | +000 (0.00) | +208 (5.28) | 98 | +516 (13.11) | -191 (4.85) |
| 49 | +000 (0.00) | +104 (2.64) | 99 | +467 (11.86) | -292 (7.42) |
| 50 | +000 (0.00) | +000 (0.00) | --- | --- | --- |

| Shell size | Arrangement no. | Number of contacts | Size contacts | Service rating | Contact location | Standard contact | |
|------------|-----------------|--------------------|-----------------|----------------|------------------|------------------|---------------|
| | | | | | | Pin | Socket |
| 25 | -7 | 2 | 8 (See note) | Twinax | 25, 75 | M39029/90-529 | M39029/91-530 |
| | | 97 | 22D | M | All others | M39029/58-360 | M39029/56-348 |

Panel Cutout



| Dim | Nominal |
|-----|------------|
| ØA | 42.47 min |
| ØAA | 37.69 min |
| R1 | 38.1 |
| ØT | 3.81 ±0.13 |

SOURIAU shall not be liable for any non-conformity or damage due to a use of the Products which does not comply with the Specifications issued by either of the Parties or by a third party (professional recommendation, technical notice.)

| Country | Jurisdiction & Control List |
|---------|-----------------------------|
| FR | Not Listed |

PN: 8D025W07PN

| | | | |
|----------------|------------------------------------|---|-------------------------------|
| A | 08-10-2016 | First Release | |
| ISS | DATE | Latest modification - by | MOD N° |
| Designed By: | | Date: | CUSTOMER DRAWING |
| TITLE | Aluminium Receptacle 8D series | | |
| SCALE | | General linear Tolerances: ±-- | NPRDS / PROJECT 859 |
| NA | | This document is the property of SOURIAU it must not be reproduced or communicated without permission | |
| SOURIAU | WWW.SOURIAU.COM | | |
| FORMAT | SOURIAU DRG N° 8D025W07PN-C | | SHEET 2/2 |