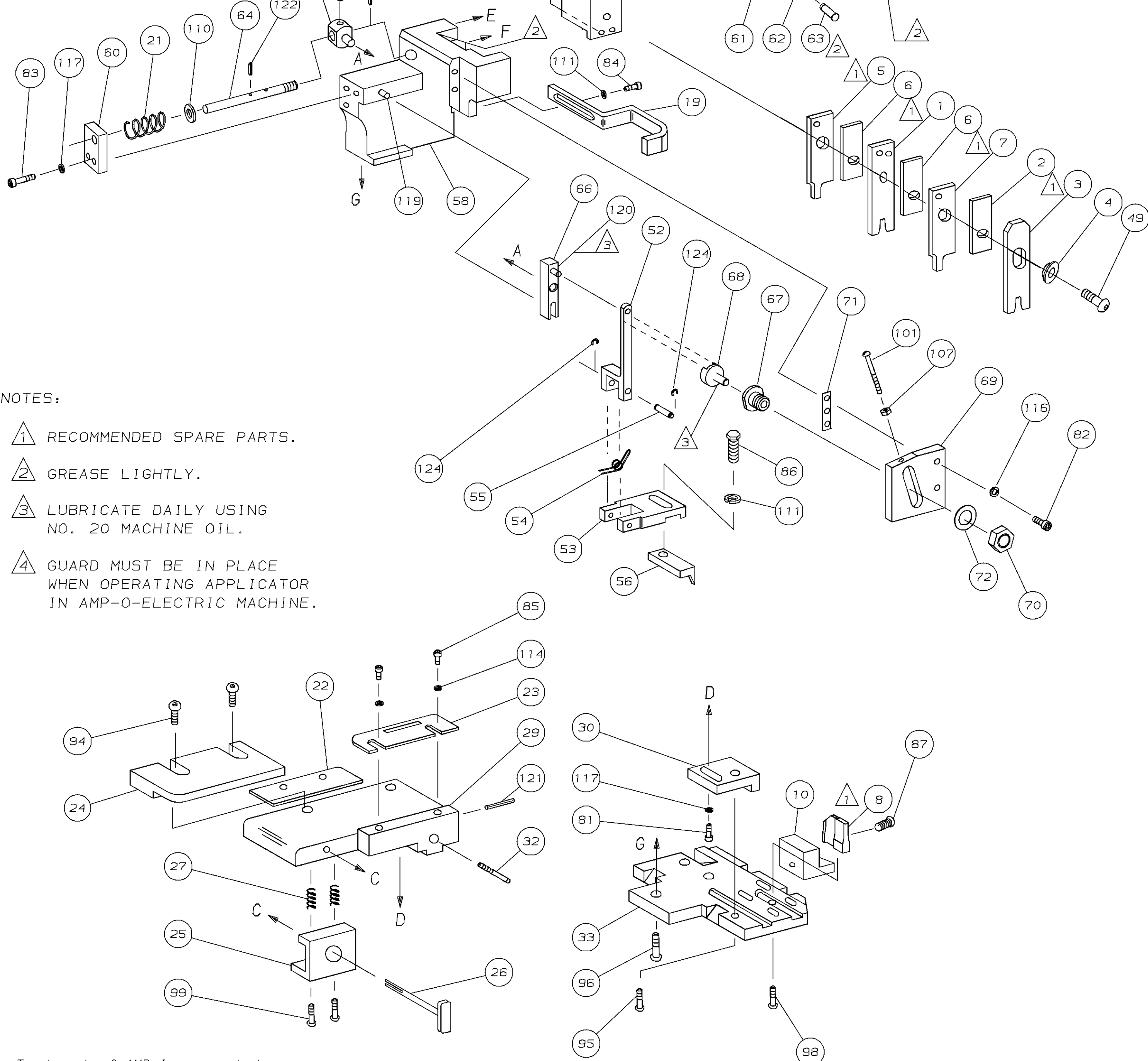
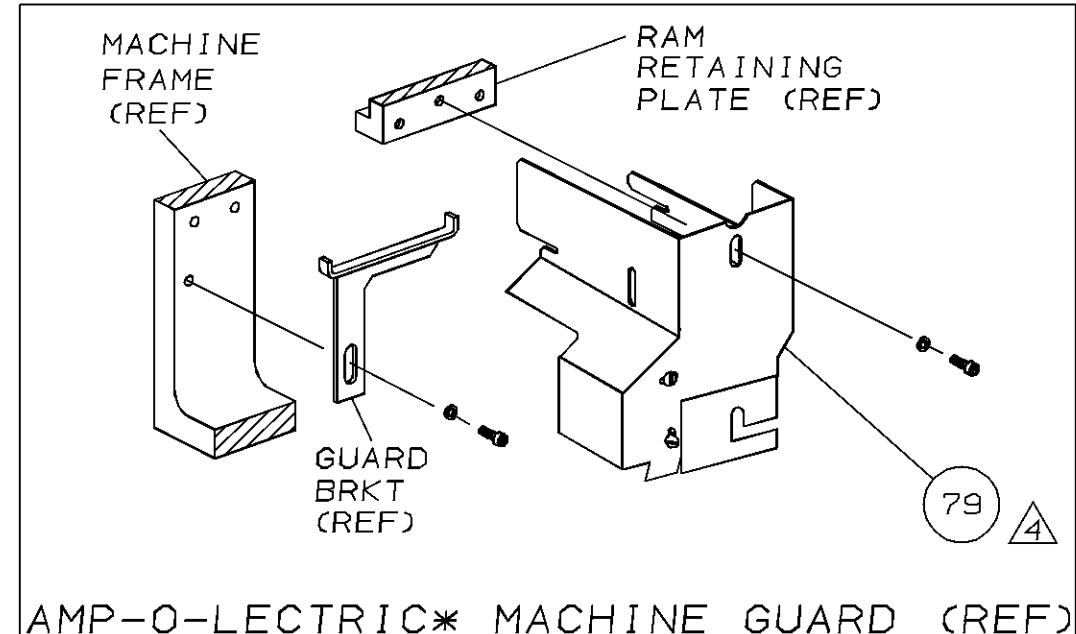
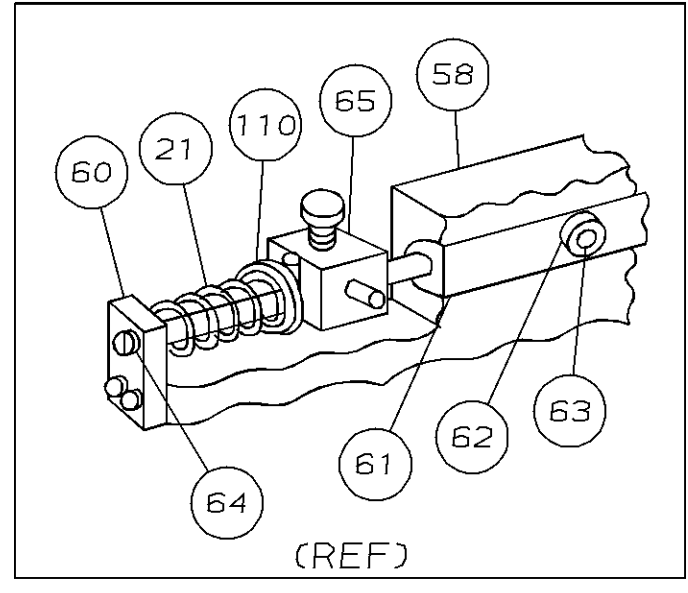
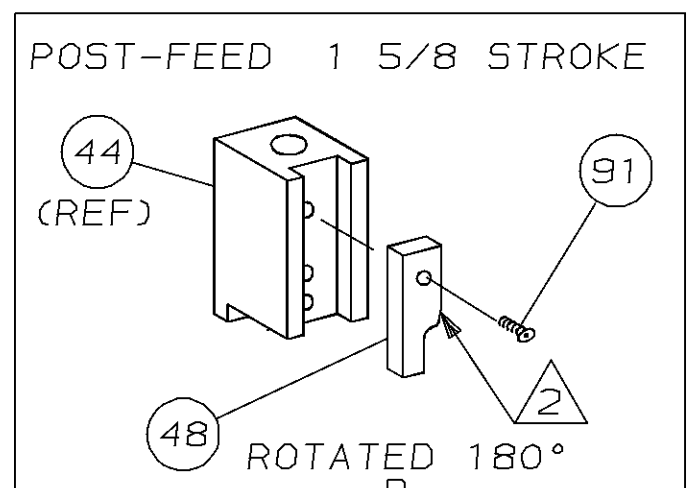


THIS DRAWING IS A CONTROLLED DOCUMENT FOR AMP INCORPORATED. IT IS SUBJECT TO CHANGE AND THE CONTROLLING ENGINEERING ORGANIZATION SHOULD BE CONTACTED FOR THE LATEST REVISION.



- NOTES:
- ① RECOMMENDED SPARE PARTS.
 - ② GREASE LIGHTLY.
 - ③ LUBRICATE DAILY USING NO. 20 MACHINE OIL.
 - ④ GUARD MUST BE IN PLACE WHEN OPERATING APPLICATOR IN AMP-O-ELECTRIC MACHINE.

THIS INFORMATION IS CONFIDENTIAL AND IS DISCLOSED TO YOU ON CONDITION THAT NO FURTHER DISCLOSURE IS MADE BY YOU TO OTHER THAN AMP PERSONNEL WITHOUT WRITTEN AUTHORIZATION FROM AMP INCORPORATED, HARRISBURG, PA.

DIST 66 * Trademark of AMP Incorporated

2	21045-3	RING, RET "C" (.187ø) FEED FINGER PIN	124	1	454220-1	CAP, HOUSING	59
2	5-21028-1	PIN, SLOT SPR (.125øx.50) ADJ ROD	123	1	454485-1	HOUSING	58
1	4-21028-0	PIN, SLT SPR (.093øx.75) ST GUIDE PL	122				57
1	1-21030-1	PIN, DOWEL (.187øx.50) LEVER	120	1	694433-5	PAWL, FEED	56
1	1-21030-6	PIN, DOWEL (.187øx1.25) HOUSING	119	1	240624-1	PIN, FEED FINGER	55
3	21024-5	WASHER, LOCK (NO. 10) ADJ BLOCK	118	1	691499-1	SPRING, FEED FINGER	54
			117	1	690541-1	FINGER, FEED	53
			116				52
			115				51
2	21024-2	WASHER, LOCK (NO. 4) FRONT STRIP GUIDE	114	1	7-21002-9	BOLT, CRIMPER (5/16-24x1.00)	49
			113	1	690501-4	CAM, POST-FEED 1 5/8 STROKE	48
			112				47
2	21024-4	WASHER, LOCK (NO. 8) STRIPPER	111				46
1	21899-4	WASHER, FLAT (5/16 DIA) SCREW ADJ	110	1	690191-1	PLUG, NYLON	45
			109	1	819307-2	RAM	44
			108	1	690125-1	WASHER, LAMINATED	43
1	21018-5	NUT, HEX (6-32) FEED ADJ	107	1	690124-1	WASHER, RAM	42
			106				41
			105	2	23241-6	BALL, STEEL	40
			104	2	690170-1	SPRING, COMPRESSION	39
1	21009-2	SCR, SKT SET (1/4-20x.25) LOC-WEL) RAM	103	1	690142-1	DISC, INSULATION	38
2	21017-2	SCR, DRIVE (#2x.19) ID PLATE	102	1	7-455829-4	DISC, WIRE	37
1	6-23715-5	SCR, PAN HD (6-32x1.50) FEED ADJ	101	1	22480-5	WASHER, SPRING	36
1	461264-1	PLATE, IDENTIFICATION	100	1	690212-1	POST, RAM	35
4	2-21002-9	SCR, BHC (10-32x.75) DRAG	99				34
2	22733-8	SCR, BHC (8-32x.38) LOC-WEL) ANVIL	98	1	455675-2	PLATE, BASE	33
			97	1	690432-3	SCREW, ADJUSTMENT	32
			96				31
3	2-22733-8	SCR, BHC (1/4-20x.62) HOUSING	95	1	455689-1	BLOCK, STRIP GUIDE ADJ	30
1	2-21002-7	SCR, BHC (10-32x.50) SG ADJ BLOCK	94	1	455671-1	PLATE, STRIP GUIDE	29
2	2-21002-2	SCR, BHC (8-32x.50) R STRIP GUIDE	93				28
			92	2	1-22284-0	SPRING, DRAG	27
1	1-21002-7	SCR, BHC (6-32x.38) CAM	91	1	690546-1	LEVER, DRAG RELEASE	26
			90	1	853712-1	DRAG, STOCK	25
			89	1	6-690440-7	GUIDE, STRIP (REAR)	24
			88	1	690712-7	GUIDE, STRIP (FRONT)	23
1	2-21000-8	SCR, SKT CAP (8-32x.62)	87	1	843013-2	SPACER, STRIP GUIDE	22
1	2-22603-0	SCR, HEX HEAD (8-32x.31) FEED FINGER	86	1	4-22284-9	SPRING, FEED RETURN	21
2	1-21000-5	SCR, SKT CAP (4-40x.50) F STRIP GUIDE	85				20
1	2-21000-7	SCR, SKT CAP (8-32x.50) STRIPPER	84	1	458230-3	STRIPPER, SPECIAL	19
2	3-21000-7	SCR, SKT CAP (10-32x.75) FEED ROD GD	83				18
2	3-21000-6	SCR, SKT CAP (10-32x.62) FEED ADJ BLK	82				17
2	3-21000-4	SCR, SKT CAP (10-32x.38) SG ADJ BL	81				16
			80				15
REF	455749-1	GUARD, ASSY	79				14
			78				13
			77				12
			76				11
			75	1	853714-1	PLATE, REAR SHEAR	10
			74				9
2	690603-1	SPRING, ASSIST	73	1	853715-1	ANVIL	8
2	23030-1	SCR, SKT CAP (6-32x.25) CP DISC	72	1	853721-1	BLADE, SLUG	7
1	458109-1	WASHER, SPECIAL	71	2	455888-7	SPACER	6
1	690517-1	SPACER	70	1	853720-1	BLADE, SLUG	5
1	22594-8	NUT, HEX	69	1	238009-3	BLOCK, CRIMPER SPACER	4
1	240628-1	PLATE, ADJUSTMENT	68	1	2-683453-8	CRIMPER, INSULATION	3
1	240626-1	SHAFT, PIVOT	67	1	1-455888-1	SPACER, CRIMPER	2
1	240633-1	BUSHING	66	1	1-456412-2	CRIMPER, WIRE	1
1	455680-1	LEVER, INTERMEDIATE	65				
1	240629-1	BLOCK, PIVOT	64				
1	240632-2	SCREW, ADJUSTMENT FEED ROD	63				
1	240659-3	PIN, CAM ROLLER	62				
1	240658-1	ROLLER, CAM	61				
1	454398-2	ROD, FEED	60				
1	454178-1	GUIDE, FEED ROD	59				

REMARKS	NO	REV
APPL USED ON MACHINE PART NO	MACH SERIAL NO	DISTRIBUTION
CUSTOMER NAME	APPL SERIAL NO	ORIGINAL
ADDRESS	PURCHASE ORDER	CUSTOMER COPY
CITY	ENG APP	FIELD ENG COPY

CRIMPING DATA				APPLICATOR WILL APPLY	
PAD LTR	CRIMP HEIGHT	WIRE SIZE	WIRE STRIP LENGTH	342308	
A	.103	10			
B	.096	10			
C	.089	11			
D	.081	12			
CRIMP SIZE	TYPE	FEED	APPL INST		
WIRE .180	F	1.190	AI 8040		
INSUL .240	F				
WIRE RANGE	INSULATION RANGE	MACHINE NO			
12-10	.135-.192	-			

AMPOMATOR POST FEED

SET UP GAGE 10-1
458637-1 L1376

DR 6/8/90 APP 6-26-90
P. WATKINS B. WOLFE

CHK 6-25-90 REL 5/7/96
P. HARTZ B. MORGAN

LOC A NO 567370-1 REV A

NAME: MINIATURE QUICK CHANGE APPLICATOR
SIDE FEED (.375 FLAG FASTON RECP)