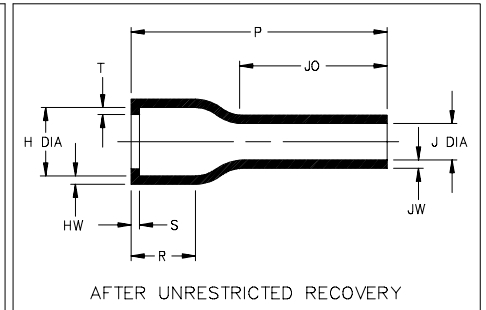
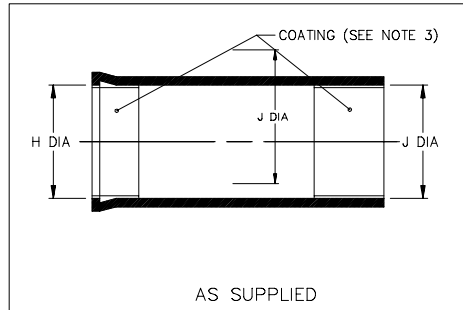


Thermofit<sup>®</sup> Molded Parts  
 Specification Control Drawing  
 Limited Distribution

Part Number : 202D211  
 Description : Boot, Straight With Lip

NOTES

- All dimensions are in  $\frac{\text{inches}}{\text{millimeters}}$
- Dimensions appearing in table are as follows:  
 a - As Supplied  
 b - After Unrestricted Recovery
- Coating is optional. As supplied dimensions appearing in table are for uncoated parts. When coating is added, entry diameters will be reduced by .06 max.



PART NUMBER	H		J		P ±10% b	R Ref b	S Ref b	T Ref b	JO ±10% b	HW ±20% b	JW ±20% b
	Min a	Max b	Min a	Max b							
202D211-3-64	.88 [22,4]	.45 [11,4]	.88 [22,4]	.25 [6,4]	3.50 [88,9]	.46 [11,7]	.12 [3,0]	.04 [1,0]	2.73 [69,3]	.06 [1,5]	.045 [1,1]

**If this document is printed it becomes uncontrolled.  
 Check for the latest revision.**

**Raychem**

RAYCHEM CORPORATION  
 300 CONSTITUTION DRIVE  
 MENLO PARK, CALIFORNIA 94025  
 (415) 361-6055

Revision : A  
 Date : 2/6/92

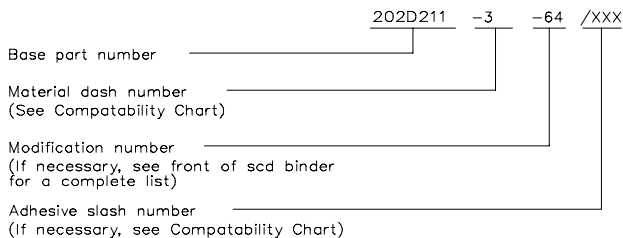
Part Number : 202D211-3-64  
 Description : Boot, Straight With Lip

Thermofit<sup>®</sup> Molded Parts  
 Specification Control Drawing  
 Limited Distribution

Part Number : 202D211-3-64  
 Description : Boot, Straight With Lip

MATERIAL DASH NO.	MATERIAL DESCRIPTION	RT SPEC	COATING SLASH NO.	COATING S NO.	COATING DESCRIPTION
-3	Polyolefin, Semi-rigid	RT-301	/180	S-1030	Adhesive

ORDERING INFORMATION



THIS DRAWING IS SUBJECT TO CHANGE WITHOUT NOTICE; CONSULT YOUR  
 NEAREST FIELD REPRESENTATIVE FOR CURRENT REVISION

**Raychem**

RAYCHEM CORPORATION  
 300 CONSTITUTION DRIVE  
 MENLO PARK, CALIFORNIA 94025  
 (415) 361-6055

Revision : A  
 Date : 2/6/92

Part Number : 202D211-3-64  
 Description : Boot, Straight With Lip