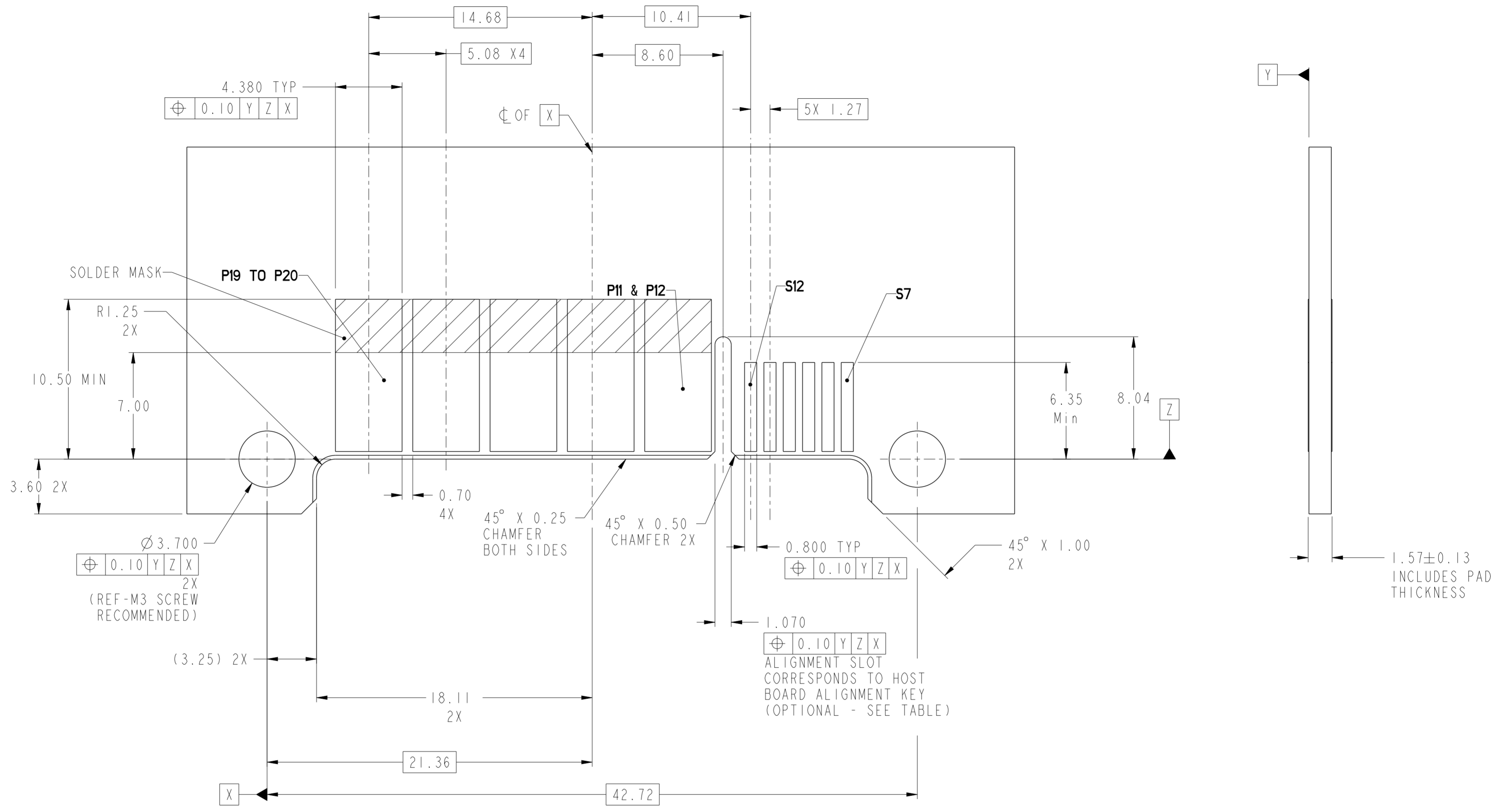


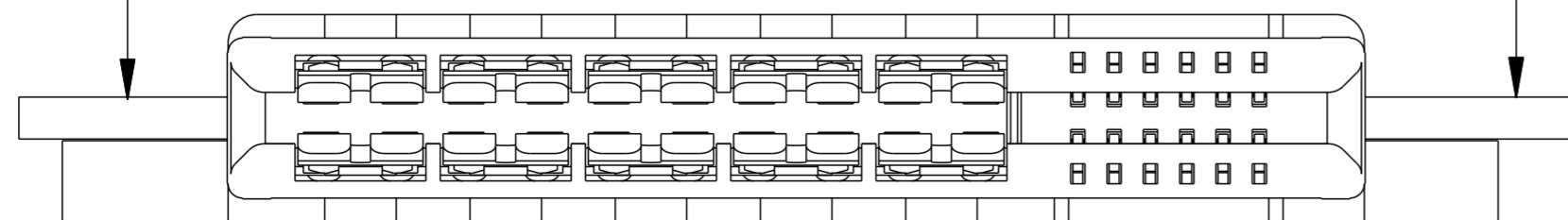
REV	ECN NO.	DR	DATE
A	---	WL	2011-05-06
B	ELX-DG-004453-1	WL	2011-07-13
C	ELX-DG-008860-1	HZ	2011-12-14

spec ref	-	dr	Wei-Long Zhang	2010/12/20	projection	MM	size	A2	scale	4:1
tolerance std	-	eng	Wei-Long Zhang	2011/12/14			ecn no	ELX-DG-008860-1	rel level	Released
		chr	Jon Qin	2011/12/15						
surface	✓	appr	Pei-Ming Zheng	2011/12/15	product family	CARD EDGE	dwg no	10116809	rev	C
					HPCE-STRADDLE MT (20P-12S) (RECEPTACLE)					
					www.fci.com	cat. no.	Product - Customer Drw	sheet 1 of 4		

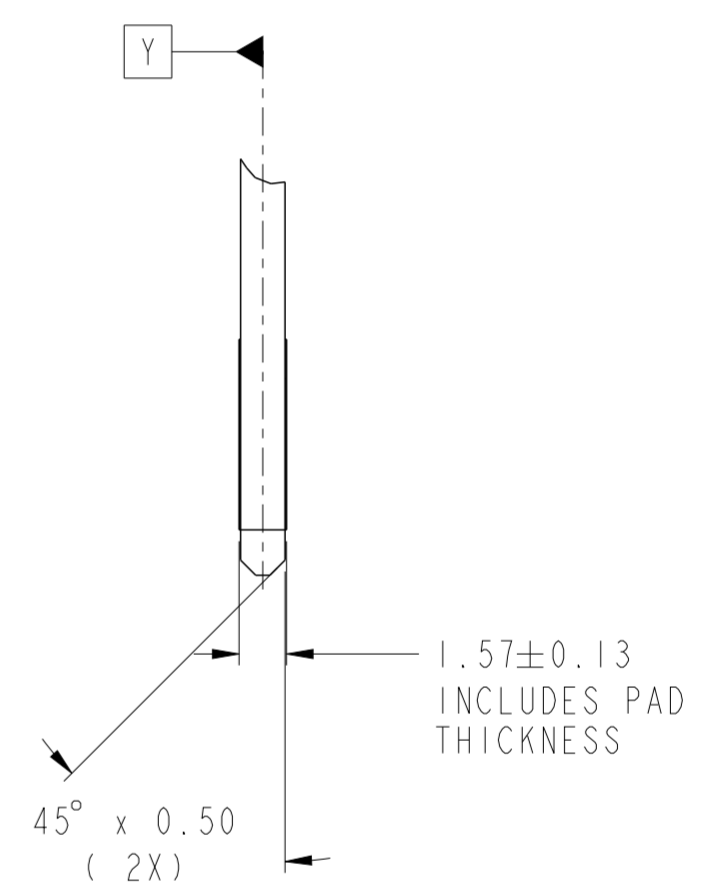
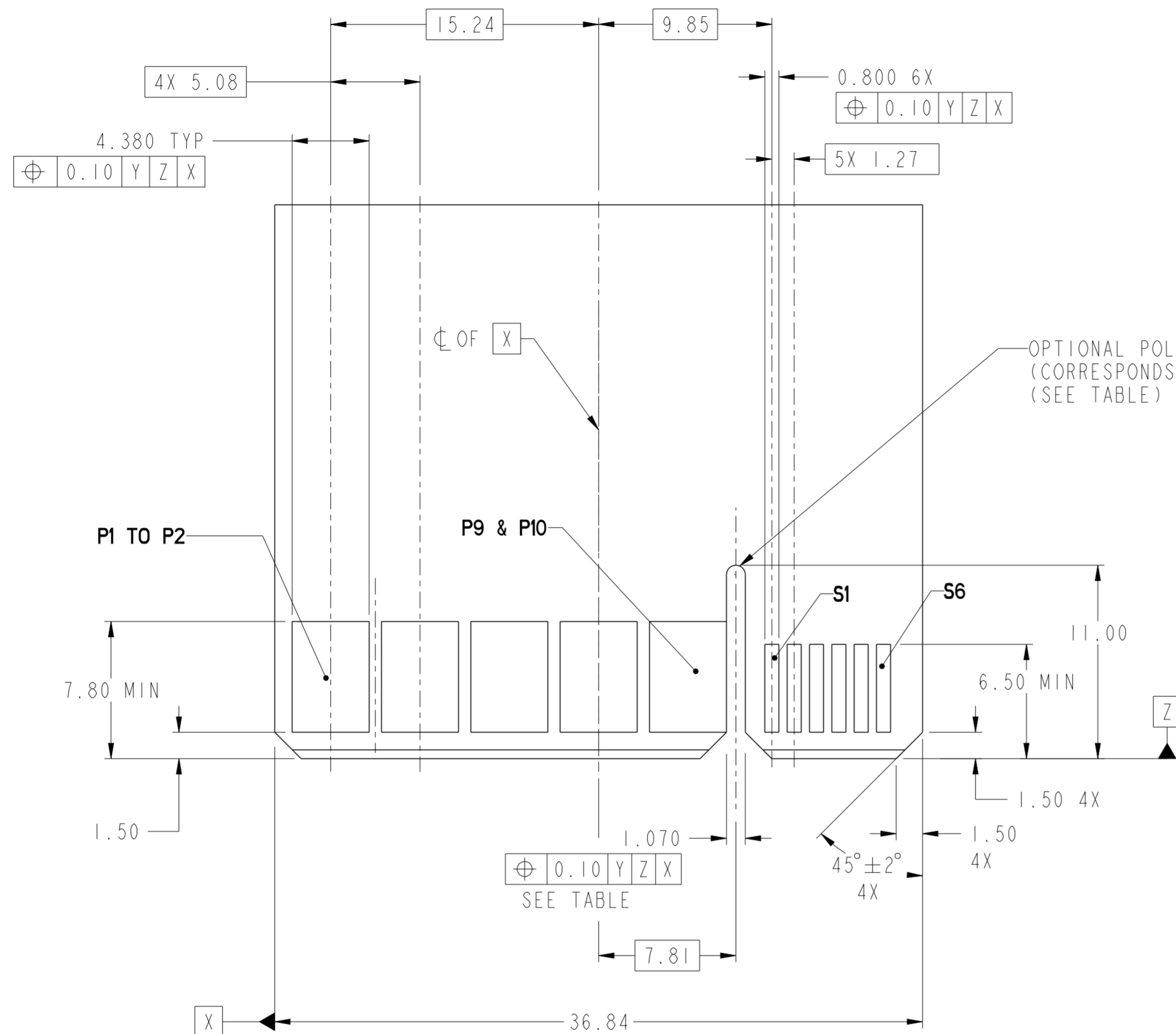
Copyright FCI. FCI



**RECOMMENDED HOST BOARD LAYOUT
AS VIEWED**



spec ref	-	dr	Wei-Long Zhang	2010/12/20	projection	MM	size	A2	scale	4:1													
tolerance std	TOLERANCES UNLESS OTHERWISE SPECIFIED	eng	Wei-Long Zhang	2011/12/14		CARD EDGE	ecn no	ELX-DG-008860-1															
		chr	Jon Qin	2011/12/15			rel level	Released															
surface	<table border="1"> <tr> <td>linear</td> <td>0.X</td> <td>±0.3</td> </tr> <tr> <td></td> <td>0.XX</td> <td>±0.1</td> </tr> <tr> <td></td> <td>0.XXX</td> <td>±0.05</td> </tr> <tr> <td>angular</td> <td>0°</td> <td>±°</td> </tr> </table>	linear	0.X	±0.3		0.XX	±0.1		0.XXX	±0.05	angular	0°	±°	appr	Pei-Ming Zheng	2011/12/15	product family	CARD EDGE		rel level	Released		
linear	0.X	±0.3																					
	0.XX	±0.1																					
	0.XXX	±0.05																					
angular	0°	±°																					
						<table border="1"> <tr> <td>title</td> <td colspan="2">HPCE-STRADDLE MT (20P-12S)</td> <td>div no</td> <td>10116809</td> <td>rev</td> <td>C</td> </tr> <tr> <td></td> <td colspan="2">(RECEPTACLE)</td> <td></td> <td></td> <td></td> <td></td> </tr> </table>	title	HPCE-STRADDLE MT (20P-12S)		div no	10116809	rev	C		(RECEPTACLE)						Product - Customer Drw		sheet 2 of 4
title	HPCE-STRADDLE MT (20P-12S)		div no	10116809	rev	C																	
	(RECEPTACLE)																						



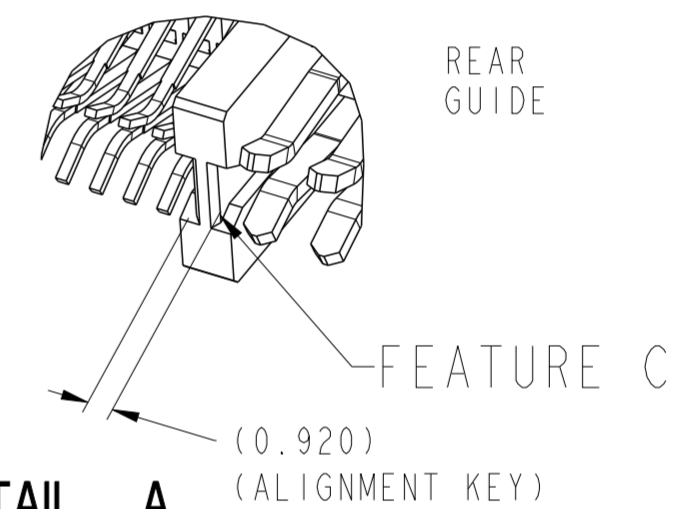
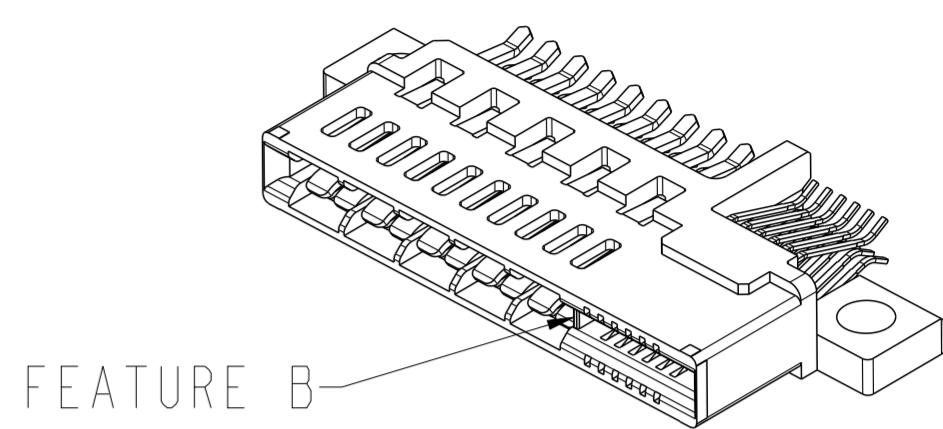
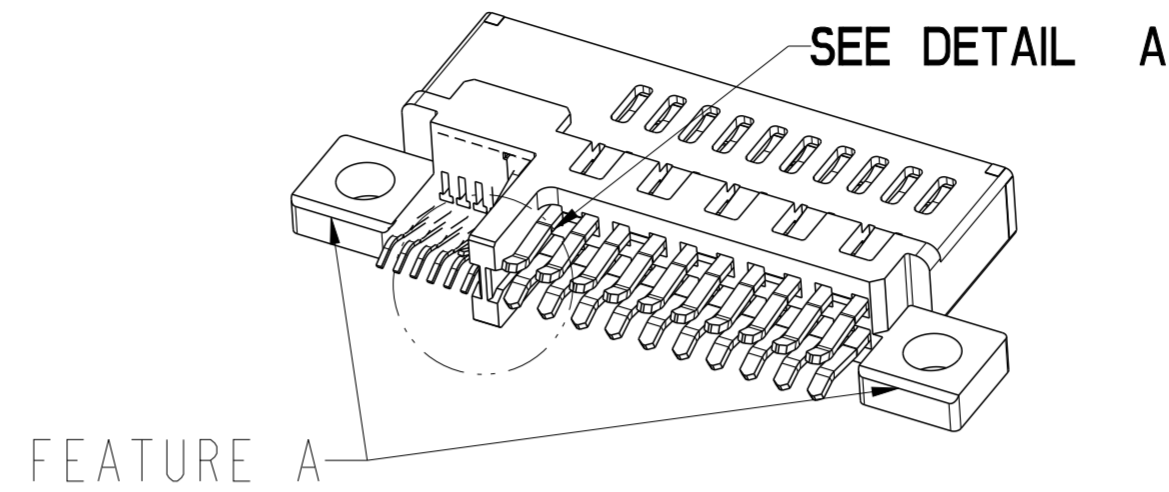
RECOMMENDED MATING BOARD FOOTPRINT

spec ref	-	dr	Wei-Long Zhang	2010/12/20	projection	MM	size	A2	scale	4:1									
tolerance std	-	eng	Wei-Long Zhang	2011/12/14			ecn no	ELX-DG-008860-1	rel level	Released									
	TOLERANCES UNLESS OTHERWISE SPECIFIED	chr	Jon Qin	2011/12/15															
		appr	Pai-Ming Zheng	2011/12/15															
surface	<table border="1"> <tr> <td>linear</td> <td>0.X</td> <td>±0.3</td> </tr> <tr> <td></td> <td>0.XX</td> <td>±0.1</td> </tr> <tr> <td></td> <td>0.XXX</td> <td>±0.05</td> </tr> <tr> <td>angular</td> <td>0°</td> <td>±°</td> </tr> </table>	linear	0.X	±0.3		0.XX	±0.1		0.XXX	±0.05	angular	0°	±°			HPCE-STRADDLE MT (20P-12S) (RECEPTACLE)		div no 10116809	rev C
linear	0.X	±0.3																	
	0.XX	±0.1																	
	0.XXX	±0.05																	
angular	0°	±°																	
		www.fci.com		cat. no.	Product - Customer Drw		sheet 3 of 4												

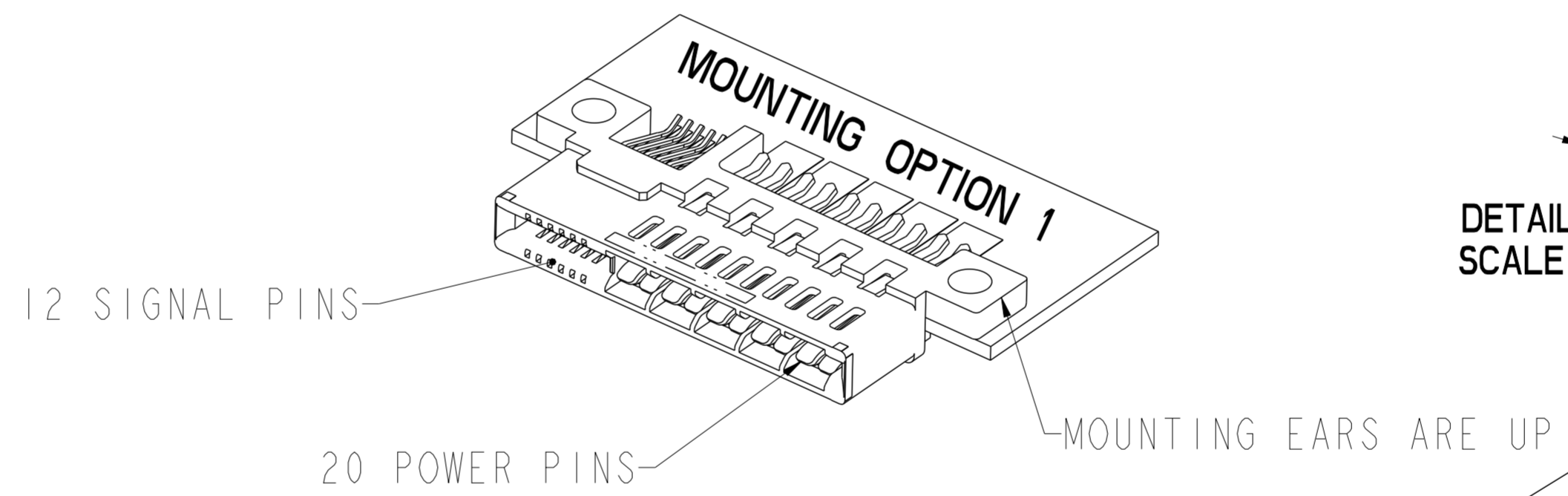


Copyright FCI.

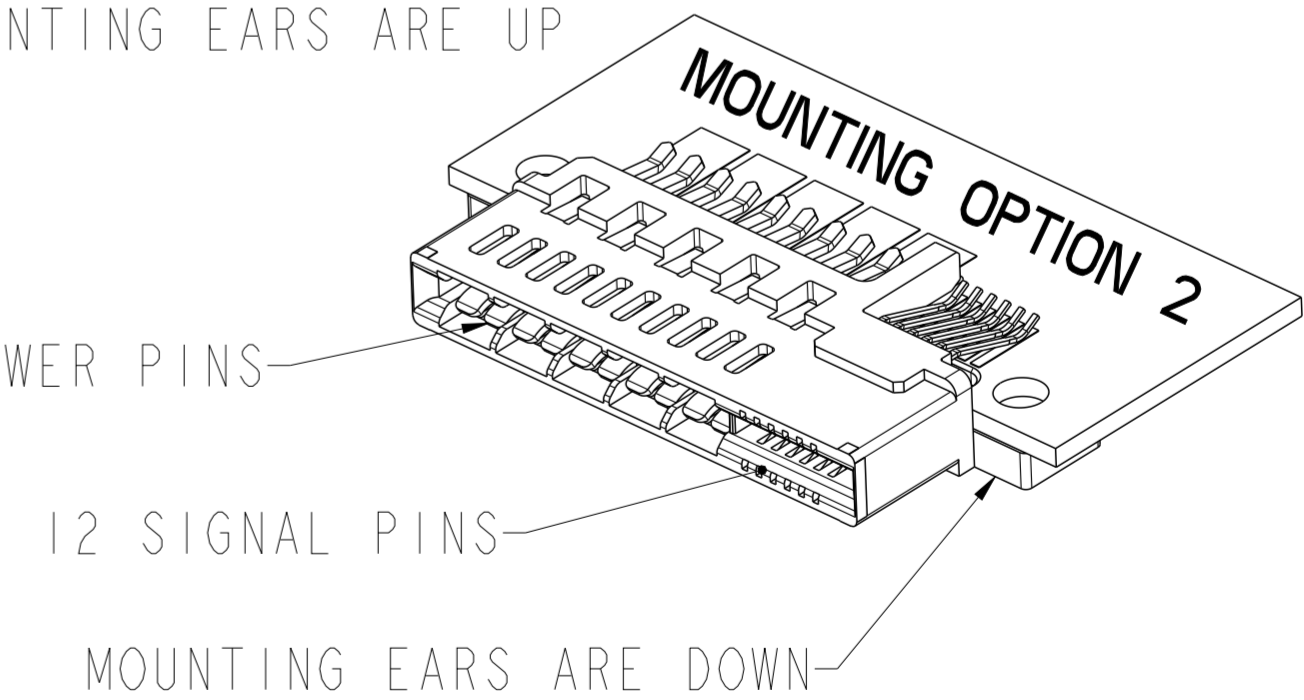
PART NUMBER	FEATURE C HOST BOARD ALIGNMENT KEY (SEE NOTE 8)	FEATURE A MOUNTING EARS	FEATURE B FRONT POLARIZATION KEY
10116809-001LF	YES	YES	NO
10116809-002LF		YES	YES
10116809-003LF		NO	NO
10116809-004LF		NO	YES
10116809-005LF	NO	YES	NO
10116809-006LF		YES	YES
10116809-007LF		NO	NO
10116809-008LF		NO	YES



DETAIL SCALE A 4:1



MOUNTING EARS ARE UP



MOUNTING EARS ARE DOWN

NOTES:

- CONNECTOR MATERIALS:
HOUSING: HIGH TEMPERATURE THERMAL PLASTIC, BLACK
UL 94V-0 COMPLIANT
CONTACTS: HIGH PERFORMANCE COPPER ALLOY.
- CONTACT FINISH REF. GS-12-604 SECTION 5.2.
- PRODUCT SPECIFICATION: GS-12-604.
- APPLICATION SPECIFICATION: GS-20-128.
- PRODUCT MARKING (FCI PART NUMBER & DATE CODE) ON HOUSING IN AREA SHOWN.
- PACKAGING MEETS FCI SPECIFICATION GS-14-937.
- HOUSING COMPONENT WILL WITHSTAND EXPOSURE TO 260°C PEAK TEMPERATURE FOR 60 SECONDS IN A CONVECTION, INFRA-RED, OR VAPOR PHASE REFLOW OVEN.
- HOST BOARD ALIGNMENT KEY IS RECOMMENDED TO ENSURE PROPER ALIGNMENT OF SOLDER TAILS WITH HOST BOARD PADS.

spec ref	-	dr	Wei-Long Zhang	2010/12/20	projection	MM	size	A2	scale	4:1			
tolerance std	-	eng	Wei-Long Zhang	2011/12/14			ecn no	ELX-DG-008860-1	rel level	Released			
		chr	Jon Qin	2011/12/15									
		appr	Pei-Ming Zheng	2011/12/15	product family	CARD EDGE							
surface	✓	linear	0.X	±0.3		title HPCE-STRADDLE MT (20P-12S) (RECEPTACLE)	dwg no 10116809	rev C	Product - Customer Drw				
		linear	0.XX	±0.1					www.fci.com		cat. no.		sheet 4 of 4
		angular	0°	±0.05									

Copyright FCI. FCI