

PART No. 1485EK

for more information visit

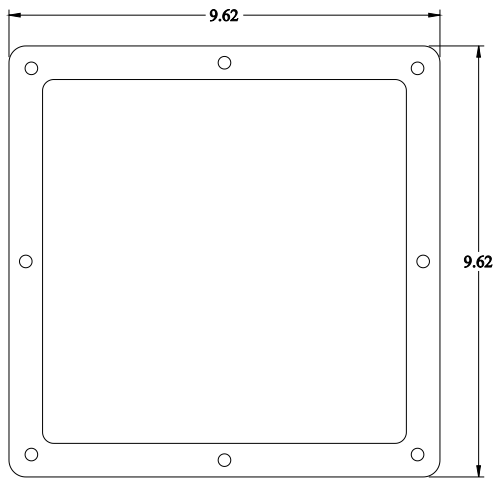
www.hammfg.com

Data subject to change without notice

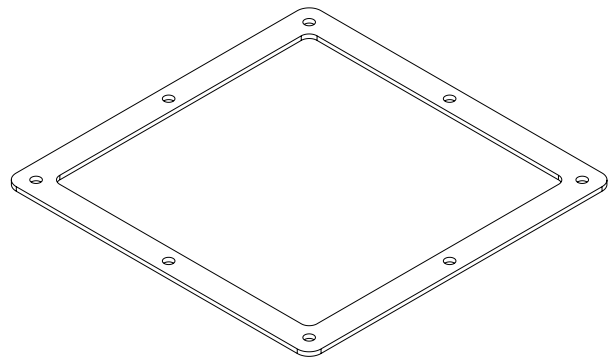
Isometric drawing Not to Scale



SIDE VIEW



FRONT VIEW



ISOMETRIC VIEW