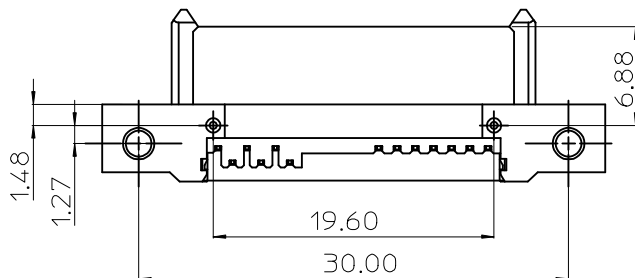


SECTION A-A  
SCALE 2:1



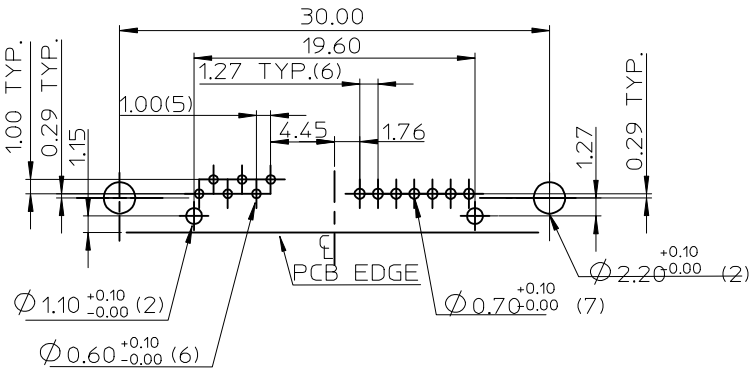
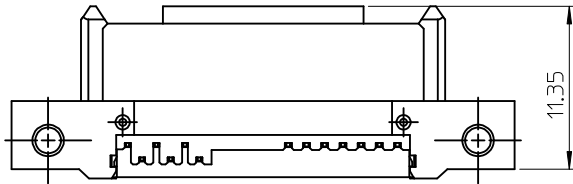
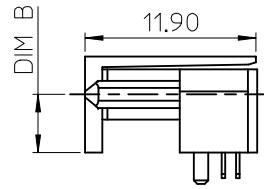
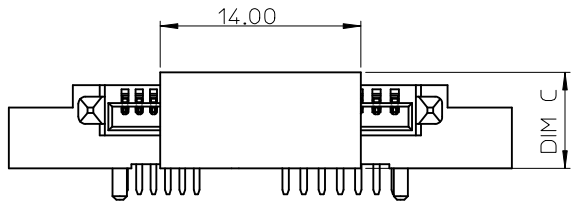
CHANGE NUT MATERIAL  
EC NO: SH2008-0643  
DRW: LLIU10  
CHK: DDAVID  
APPR: HMMANG  
2008/10/13

REV	DESCRIPTION
B	

QUALITY SYMBOLS		
	= 0	
	= 0.25	
GENERAL TOLERANCES (UNLESS SPECIFIED)		
	mm	INCH
4 PLACES	± ---	± ---
3 PLACES	± ---	± ---
2 PLACES	± 0.25	± ---
1 PLACE	± 0.25	± ---
ANGULAR ± 3 °		
DRAFT WHERE APPLICABLE MUST REMAIN WITHIN DIMENSIONS		

DIMENSION STYLE	
MM ONLY	
DRAWN BY	DATE
LINDA	2008/01/04
CHECKED BY	DATE
ALLEN LIN	2008/01/07
APPROVED BY	DATE
ERICK LAN	2008/01/07
MATERIAL NO.	
SEE TABLE	

SCALE	DESIGN UNITS	THIRD ANGLE PROJECTION
1:1	METRIC	
TITLE		
SLIMLINE SATA RECEPTACLE REVERSE RIGHT ANGLE WITH SCREW		
MOLEX INCORPORATED		
DOCUMENT NO.	SHEET NO.	
SD-48325-001	1 OF 2	
THIS DRAWING CONTAINS INFORMATION THAT IS PROPRIETARY TO MOLEX INCORPORATED AND SHOULD NOT BE USED WITHOUT WRITTEN PERMISSION		



RECOMMENDED PC BOARD LAYOUT  
TOLERANCE: ±0.05mm(TOP VIEW)

P/N	PLATING OPTIONS	DIM A	DIM B	DIM C	WITHSTANDING MFG TEST
48325-4001	GOLD FLASH	5.80	4.05	6.70	NO
48325-4002	15 MICROINCH				NO
48325-4003	30 MICROINCH				YES
48325-5001	GOLD FLASH	10.80	9.05	11.70	NO
48325-5002	15 MICROINCH				NO
48325-5003	30 MICROINCH				YES
48325-6001	GOLD FLASH	7.30	5.55	8.20	NO
48325-6002	15 MICROINCH				NO
48325-6003	30 MICROINCH				YES

NOTES:

- MATERIAL:  
 HOUSING & CAP: LIQUID CRYSTAL POLYMER, GLASS FIBER FILLED, UL94V-0, COLOR: BLACK.  
 TERMINAL: COPPER ALLOY.  
 NUT: ZINC ALLOY.
- PLATING:  
 TERMINAL:  
 CONTACT AREA: SEE TABLE  
 SOLDER TAIL: MATTE TIN, THICKNESS=100 MICROINCH MIN/2.54 MICROMETER MIN. UNDER PLATE: NICKEL(Ni).  
 NUT: NICKEL(Ni), THICKNESS=50 MICROINCH MIN/1.27 MICROMETER MIN.
- MATES WITH: SERIES 47300.
- RECOMMENDED PCB THICKNESS: 1.20±0.05mm
- PRODUCT SPECIFICATION REFER TO PS-48321-001
- TEST SUMMARY REFER TO TS-48325-001
- PACKAGING SPECIFICATION REFER TO PK-48325-001
- LEAD FREE & RoHS COMPLIANT PRODUCT.

SEE SHEET 1 EC NO: SH2008-0643 DRW: LLI1010 CHKD: DAVID APPR: HWANG	REV 2008/09/18 2008/10/13	QUALITY SYMBOLS ▽=0 ◻=0	GENERAL TOLERANCES (UNLESS SPECIFIED)		DIMENSION STYLE MM ONLY	SCALE 1:1	DESIGN UNITS METRIC	THIRD ANGLE PROJECTION
			mm	INCH	DRAWN BY LINDA	DATE 2008/01/04	TITLE SLIMLINE SATA RECEPTACLE REVERSE RIGHT ANGLE WITH SCREW	
			4 PLACES ± --- ± ---		CHECKED BY ALLEN LIN	DATE 2008/01/07	MOLEX INCORPORATED	
			3 PLACES ± --- ± ---		APPROVED BY ERICK LAN	DATE 2008/01/07	DOCUMENT NO. SD-48325-001	SHEET NO. 2 OF 2
			2 PLACES ± 0.25 ± ---		THIS DRAWING CONTAINS INFORMATION THAT IS PROPRIETARY TO MOLEX INCORPORATED AND SHOULD NOT BE USED WITHOUT WRITTEN PERMISSION			
			1 PLACE ± 0.25 ± ---					
			ANGULAR ± 3 °					
			DRAFT WHERE APPLICABLE MUST REMAIN WITHIN DIMENSIONS					