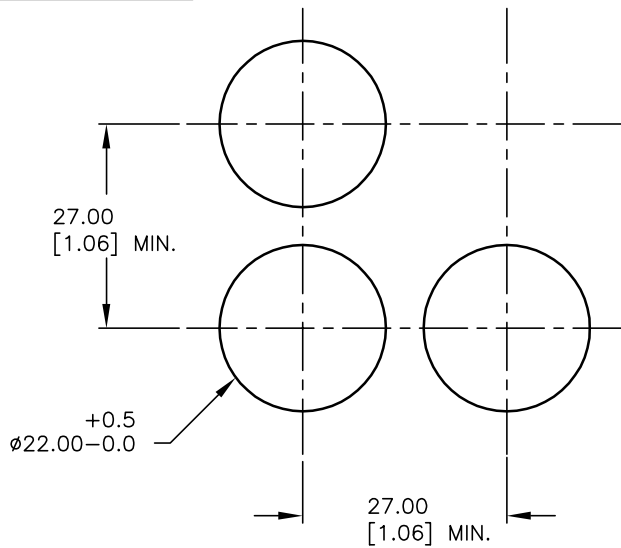


Item	Qty.	Dwg. No.	Part No.
1	1	F051702	25mm RING FOR LA SERIES
2	1	F060606	LASOAV110
3	1	F060254	25mm GREEN LENS
4	1	F050411	50-004-11 (GREEN NEON LAMP)



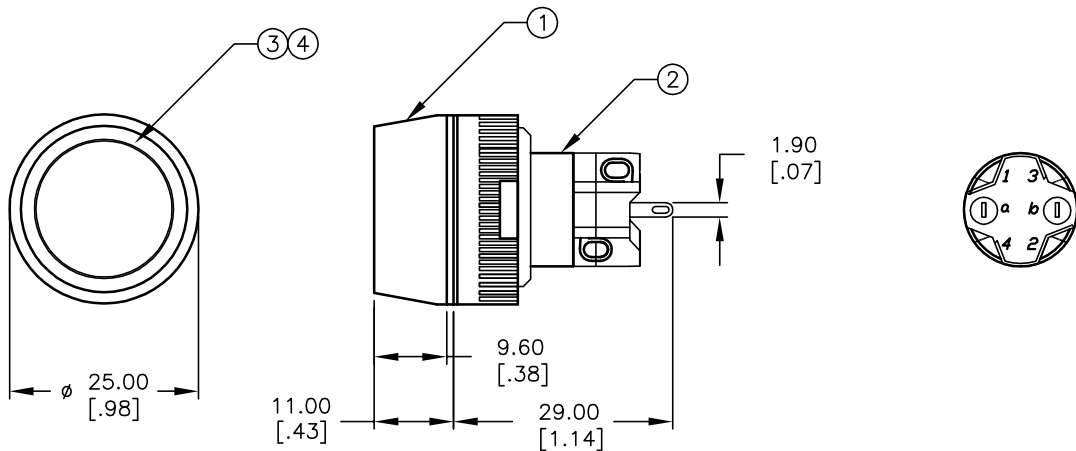
RECOMMENDED PANEL MOUNTING

1 o | o 2  
 3 o o 4  
 a-(L)-b(+)

SPST  
 CONTACT CONFIGURATION

NOTES:

1. ALL DIMENSIONS IN MM
2. GENERAL TOLERANCE: X.X=±0.4  
X.XX=±0.25
3. RATINGS: 5A@250V AC,  
8A@125V AC
4. CONTACT MATERIAL: COPPER ALLOY W/Gold Plating
5. TRAVEL: 3.0mm (Total) 2.0mm (Latch)
6. MECHANICAL LIFE: >100,000 Cycles
7. ELECTRICAL LIFE: >50,000 Cycles
8. INSULATION RESISTANCE: >1000 MILLI-OHMS
9. OPERATING TEMP: -20°C to 55°C
- ▲ 10. LAMP VOLTAGE: 110VAC (GREEN NEON)
11. ▲ DENOTES CRITICAL PARAMETER.



**E-SWITCH®**

TITLE

LASOAV11FGRNGRN

A	14113	RELEASED FOR PRODUCTION	6/23/04	AR
REV.	ECN No.	DESCRIPTION	DATE	CHKD

THE INFORMATION CONTAINED IN THIS DOCUMENT IS PROPRIETARY TO E-SWITCH AND IS NOT TO BE COPIED OR TRANSFERRED

SCALE

1:1

DATE

6/23/04

DR

AR

DWG

XF0593P

REV

A