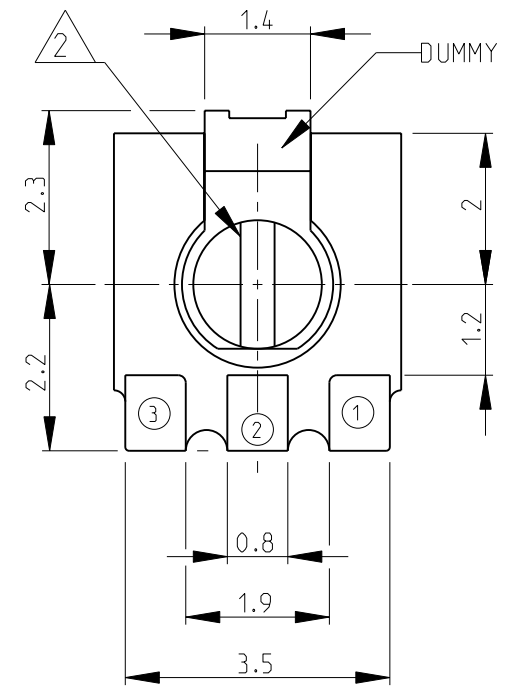
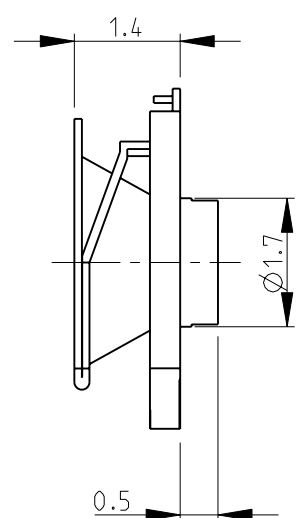
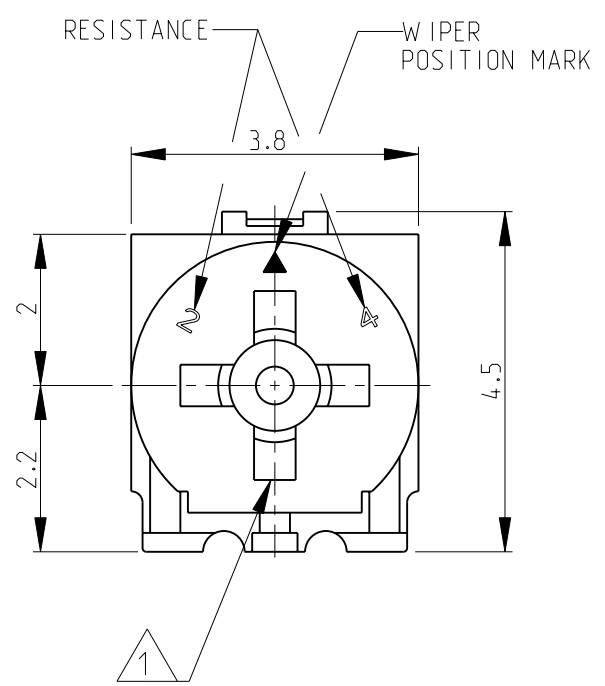


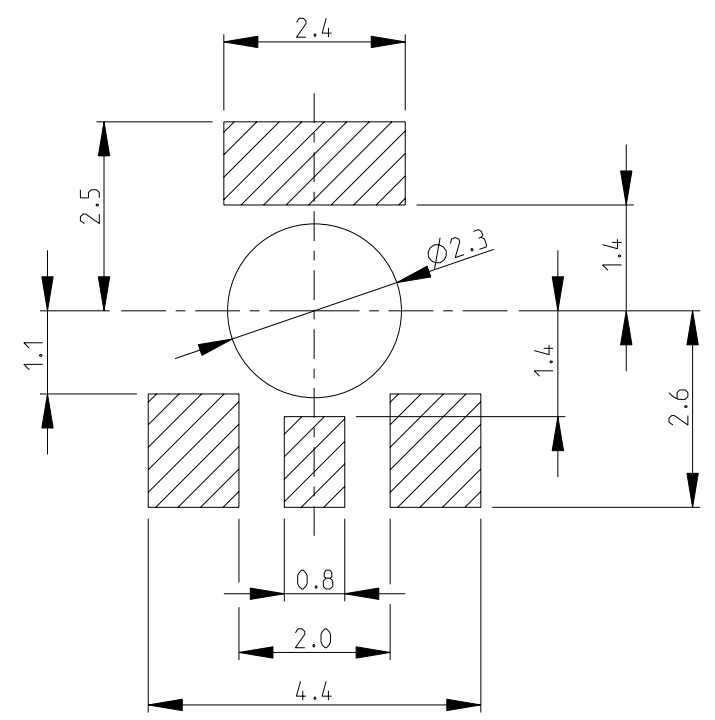
THIS DRAWING IS UNPUBLISHED. RELEASED FOR PUBLICATION 2008
 © COPYRIGHT 2008 BY TYCO ELECTRONICS CORPORATION. ALL RIGHTS RESERVED.

LOC	DIST	REVISIONS			
P	LTR	DESCRIPTION	DATE	DWN	APVD
E	B	BA	NEW RELEASE	01-DEC-08	SM St.P

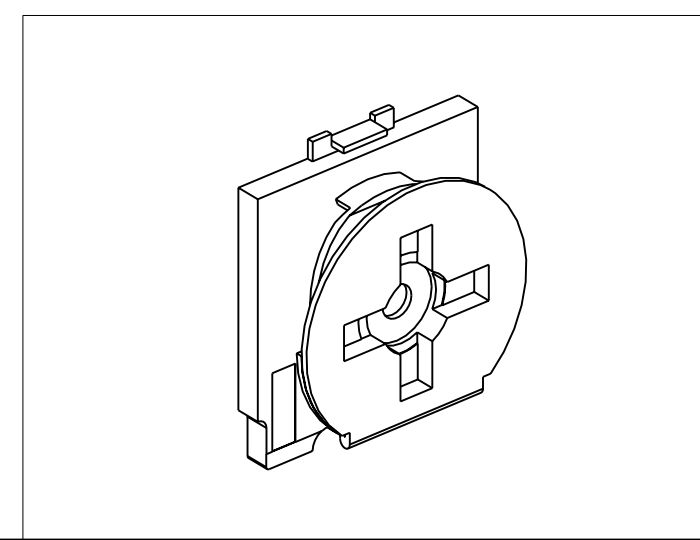
- 1 TOP DRIVER SLOT: WIDTH- 0.55; LENGTH- 2.5; DEPTH- 0.3
- 2 BOTTOM DRIVER SLOT: WIDTH- 0.45; DEPTH- 0.35
- 3 FOR FURTHER INFORMATION SEE DATA SHEET FOR 3150 SERIES-SMD ECONOMY TRIMMERS



RECOMMENDED LAND PATTERN



RoHS Compliant



THIS DRAWING IS A CONTROLLED DOCUMENT FOR TYCO ELECTRONICS CORPORATION IT IS SUBJECT TO CHANGE AND THE CONTROLLING ENGINEERING ORGANIZATION SHOULD BE CONTACTED FOR THE LATEST REVISION.		DWN SUBHASH.M 01-DEC-08	Tyco Electronics Corporation Dorcan, Swindon, SN3 5HH			
DIMENSIONS: mm		CHK PRAKASH.S 01-DEC-08	NAME SMD ECONOMY TRIMMERS SERIES 3155			
TOLERANCES UNLESS OTHERWISE SPECIFIED:		APVD STEPHEN.P 01-DEC-08				
0 PLC ±0.2		PRODUCT SPEC -	SIZE A3	CAGE CODE 00779	DRAWING NO C-1623915	RESTRICTED TO -
1 PLC ±0.1		APPLICATION SPEC -	SCALE 10:1		SHEET 1 OF 1	REV BA
2 PLC ±		WEIGHT -	CUSTOMER DRAWING			
3 PLC ±						
4 PLC ±						
ANGLES ±5°						
MATERIAL -						
FINISH -						