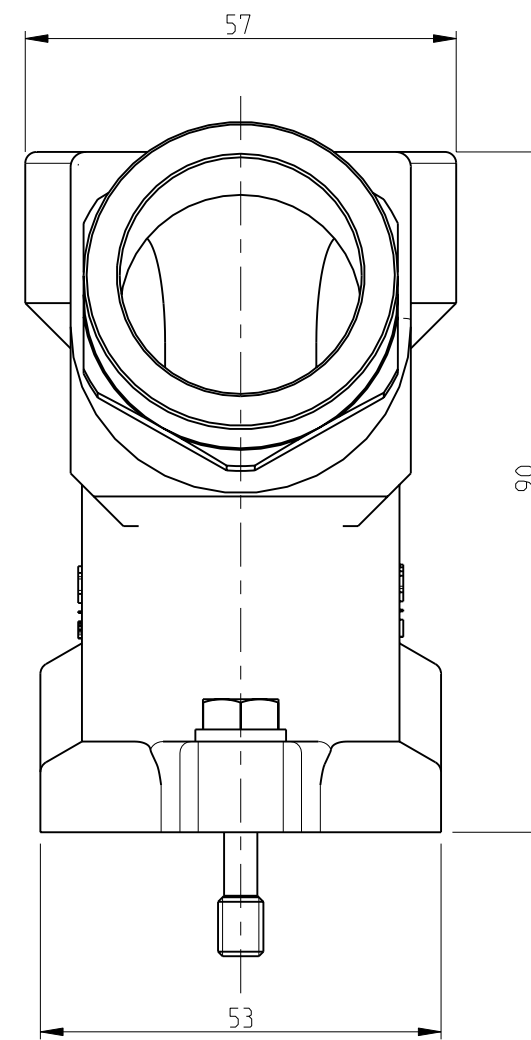
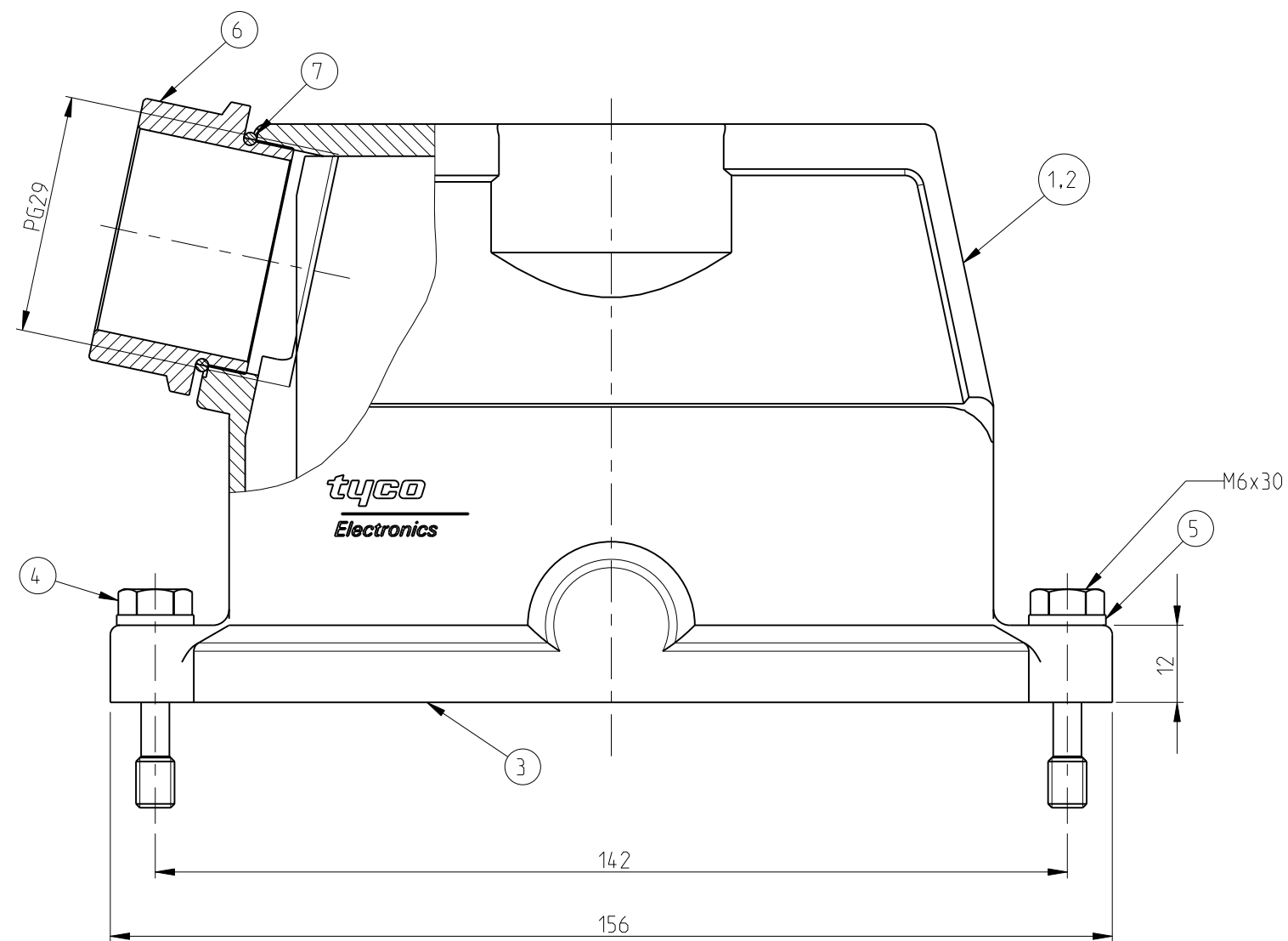


THIS DRAWING IS UNPUBLISHED. RELEASED FOR PUBLICATION .1997
 © COPYRIGHT 1997 BY TYCO ELECTRONICS CORPORATION. ALL RIGHTS RESERVED.

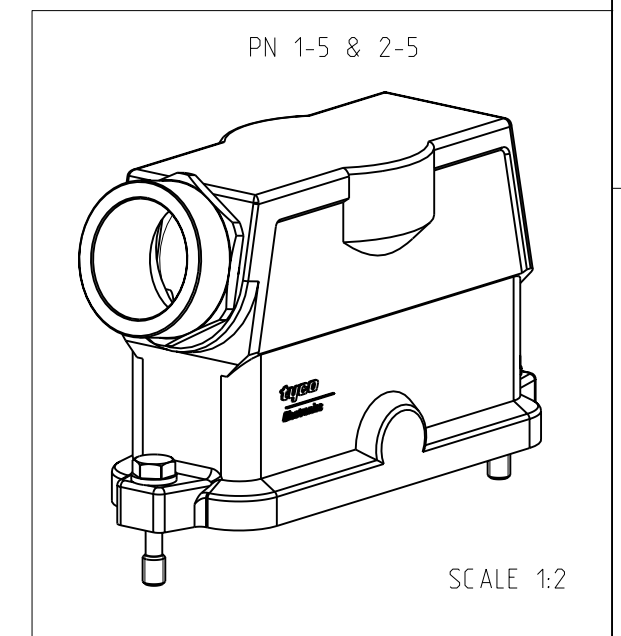
LOC	DIST	REVISIONS					
		P	LTR	DESCRIPTION	DATE	DWN	APVD
A1	-	A2		Released as per ECR-07-030419	17.12.07	SP	TS

PN 1-5 & 2-5



NOTES

- 1 Material: Housing: Aluminium Diecasting Alloy
Seals: Neoprene
- 2 Surface: - varnish-grey
Aluminium oxide+
Varnish black
- 3 Varnish on the inside not necessary
- 4 Packaging quantity: 5 pieces in a box



QTY	DESCRIPTION	MATERIAL	SURFACE	COLOR	ITEM NO	REMARKS
1	1	O-Ring Pg 29	Neoprene	-	Black	7
1	1	Adaptor Pg 29	Brass	Nickel plated	Blue	6
2	2	Spring washer	Stainless steel	Blank	Blue	5 B6.4
2	2	Fixing screw	Stainless steel	Blank	4	M6x30
1	1	Seal Bg8	Neoprene	-	Black	3 -
1	1	Hood HIP-K	Aluminium	Aluminium oxide	Black	2
1	1	Hood HIP	Aluminium	-	Grey	1
2-5	1-5	DESCRIPTION	MATERIAL	SURFACE	COLOR	ITEM NO
ORDERING TEXT						
HIP.24/64.STS.1.29.Z						
HIP-K.24/64.STS.1.29.Z						

THIS DRAWING IS A CONTROLLED DOCUMENT FOR TYCO ELECTRONICS CORPORATION IT IS SUBJECT TO CHANGE AND THE CONTROLLING ENGINEERING ORGANIZATION SHOULD BE CONTACTED FOR THE LATEST REVISION.		DWN Schneider 07.11.02	Tyco Electronics, AMP, GmbH D-53819, Neunkirchen, Germany			
DIMENSIONS: mm		CHK Schweiger 07.11.02	NAME Hood HIP size8 HIP.24/64.STS.1.29. Z			
TOLERANCES UNLESS OTHERWISE SPECIFIED: 0 PLC ± 1 PLC ± 2 PLC ± 3 PLC ± 4 PLC ± ANGLES ±		APVD -	PRODUCT SPEC 108-74030			
MATERIAL		FINISH	APPLICATION SPEC 114-74017			
		WEIGHT	SIZE A2			
		CUSTOMER DRAWING	CAGE CODE 00779			
			DRAWING NO 1102659			
			RESTRICTED TO -			
			SCALE 1:1			
			SHEET 1 OF 1			
			REV A2			