



## EH TQG PANEL MOUNT CONNECTORS

NEW PRODUCT BULLETIN 605

### FEATURES & BENEFITS

- Same high quality connectors as our popular TQG Series, except both male and female versions utilize the same size panel cut-out, simplifying installation and modification.
- Rugged metal construction.
- Available in nickel or black finish.
- Available with 3, 4, 5, 6 or 7 contacts for male, plated in silver or gold and 3, 4 and 5 contacts for female.
- RoHS Compliant.
- The perfect match for our QGPK Series of I/O panels and our WP Series of wall-plates. More info available on our website.

### APPLICATIONS

- Communications equipment
- Wall plates
- Custom I/O panels
- Pro audio equipment



# SWITCHCRAFT®

A HEICO COMPANY

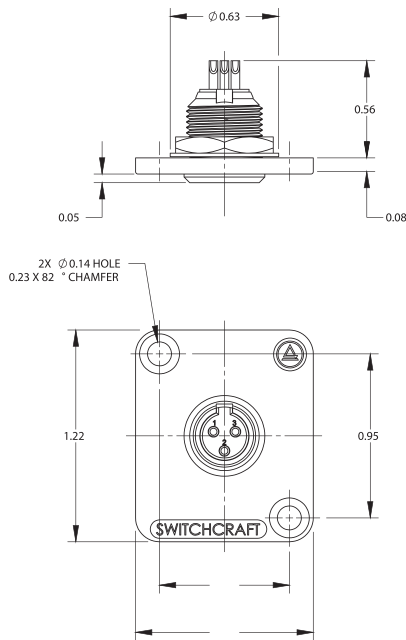


5555 N Elston Ave | Chicago, IL 60630 | P: 773.792.2700 | F: 773.792.2129 | [www.switchcraft.com](http://www.switchcraft.com) | Made in USA.

# EH TQG PANEL MOUNT CONNECTORS

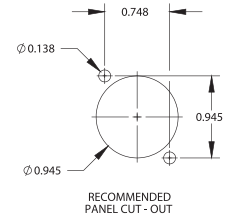
## NEW PRODUCT BULLETIN 605

### MALE EH TQG PANEL CONNECTORS

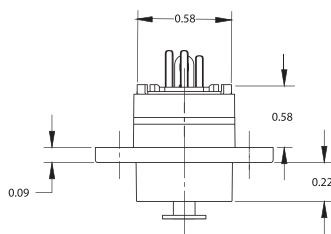


**NOTES:**

1. MATERIALS:  
PLATE - ZINC ALLOY, PLATED  
SHELL - COPPER ALLOY, NICKEL PLATED  
INSERT - THERMOPLASTIC, BROWN  
CONTACT PINS - COPPER ALLOY, PLATED  
WASHER - COPPER ALLOY, NICKEL PLATED  
NUT - COPPER ALLOY, NICKEL PLATED
2. THIS PART IS RoHS COMPLIANT.

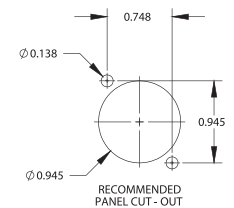


### FEMALE EH TQG PANEL CONNECTORS



**NOTES:**

1. MATERIALS:  
HOUSING - ZINC ALLOY, PLATED  
INNER HOUSING - COPPER ALLOY, NICKEL PLATED  
FRONT AND REAR INSERTS - THERMOPLASTIC, BROWN  
CONTACT PINS - COPPER ALLOY, PLATED  
SOLDER TERMINAL - COPPER ALLOY, TIN PLATED  
LATCH - COPPER ALLOY, NICKEL PLATED  
RELEASE LEVER - STEEL, NICKEL PLATED  
LEVER RETURN SPRING, STAINLESS STEEL
2. THIS PART IS RoHS COMPLIANT.



Please visit [www.switchcraft.com](http://www.switchcraft.com) for the most up-to-date product specifications. Made in USA.