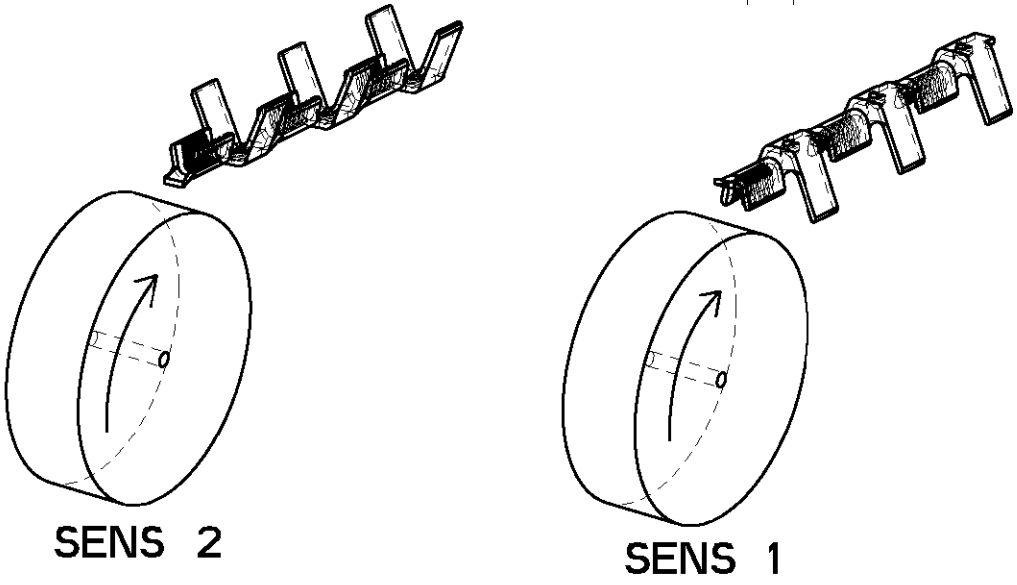
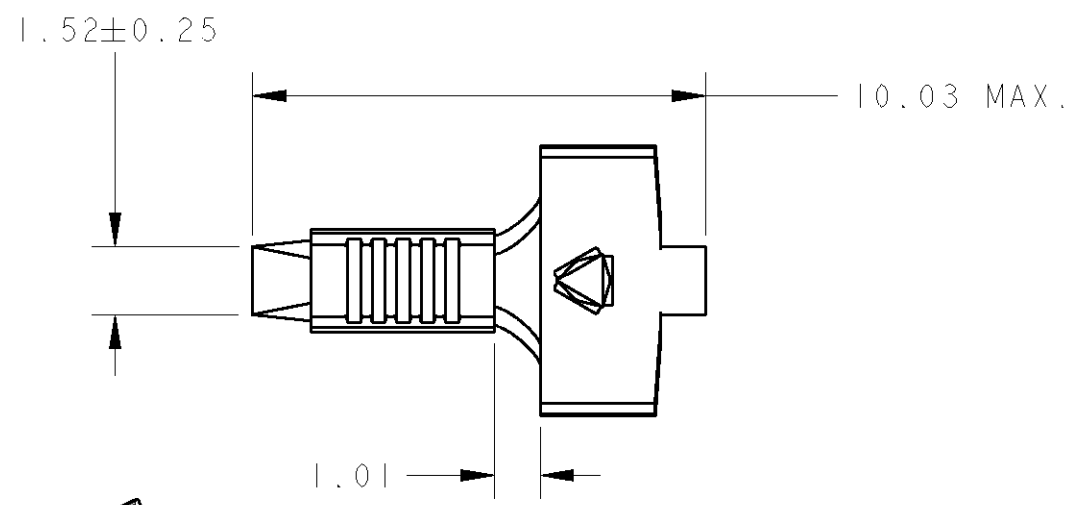
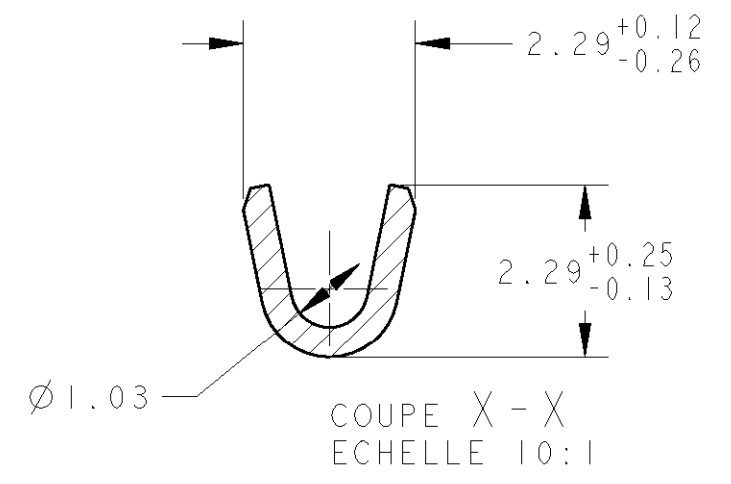
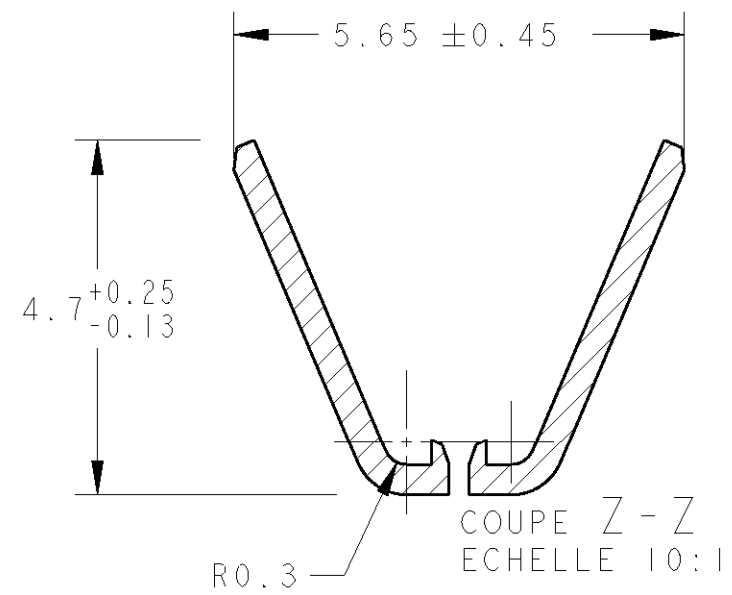
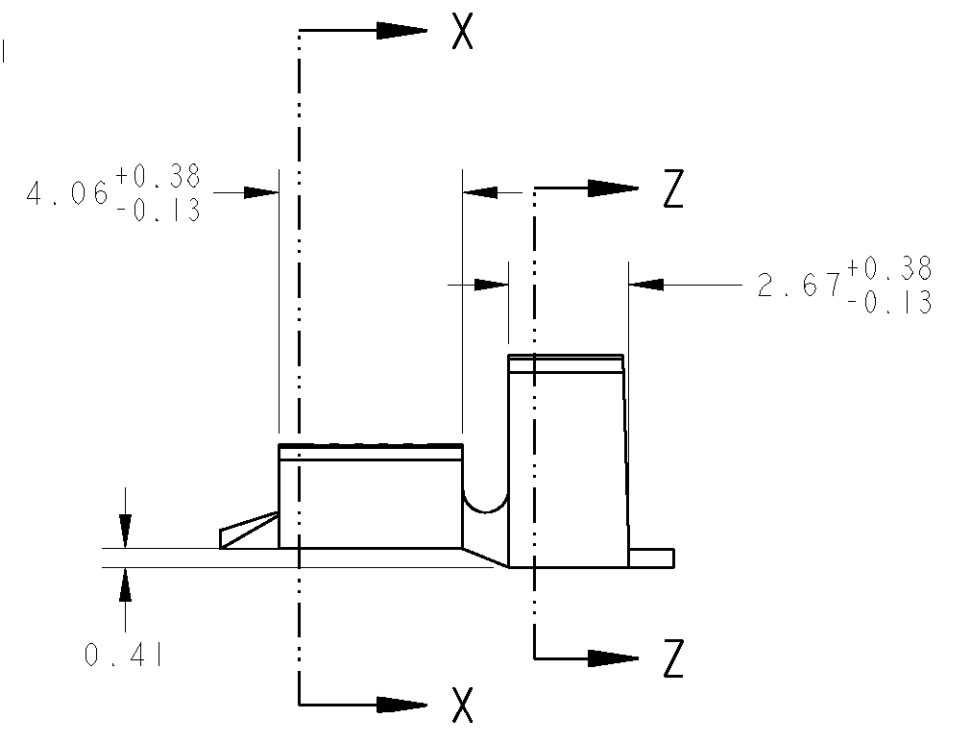



THIS DRAWING IS UNPUBLISHED.  
 DIFFUSION RESTREINTE AMP  
 © COPYRIGHT 20 BY TYCO ELECTRONICS CORPORATION. ALL RIGHTS RESERVED.  
 LIBRE A LA DIFFUSION 20  
 TOUS DROITS RESERVES

LOC	DIST	REVISIONS			
P	LTR REV	DESCRIPTION MODIFICATIONS	DATE	DWN DESS.	APVD APP.
F	7	B	REDESSINE SOUS PRO/ENG, AJOUT I-141175-3	06MAR2001	CC YP

  
 ECHELLE 1:1



I-141175-3	SENS 1	LAITON	PRE-ETAME
I-141175-2	SENS 1	LAITON	ETAME
I-141175-1	SENS 1	LAITON	BRUT
I41175-2	SENS 2	LAITON	ETAME
I41175-1	SENS 2	LAITON	BRUT
<b>AMP P/N</b>	<b>BOBINAGE</b>	<b>MATIERE</b>	<b>TRAIT. SURF</b>

<small>THIS DRAWING IS A CONTROLLED DOCUMENT FOR TYCO ELECTRONICS CORPORATION IT IS SUBJECT TO CHANGE AND THE CONTROLLING ENGINEERING ORGANIZATION SHOULD BE CONTACTED FOR THE LATEST REVISION.</small> <small>CE PLAN EST UN DOCUMENT CONTROLE PAR AMP INCORPORATED. IL EST SUSCEPTIBLE D'ETRE REVISE. CONTACTER LE SERVICE TECHNIQUE D'AMP DE FRANCE POUR OBTENIR LA DERNIERE REVISION.</small>		DWN/DESSINE 06MAR2001 C. COMBEDOUZON CHK/VERIFIE 06MAR2001 G. ROBERT APVD/APPROUVE 06MAR2001 Y. PETRONIN		 TYCO ELECTRONICS France SAS BP 39, 95301 CERGY-PONTOISE Cedex	
DIMENSIONS: mm		TOLERANCES UNLESS OTHERWISE SPECIFIED: TOLERANCES NON SPECIFIEES (SUIV NB DE DECIMALES): 0 PLC/DEC: ± 1 PLC/DEC: ±0.5 2 PLC/DEC: ±0.13 3 PLC/DEC: ±0.013 4 PLC/DEC: ±0.0001 ANGLES ±		NAME TITRE <b>AMPLIVAR SPLICE WITH INSULATION RANGE</b>	
MATERIAL / MATIERE		FINISH / FINITION		PRODUCT SPEC SPEC. PRODUIT APPLICATION SPEC SPEC. APPLICATION	
		WEIGHT MASSE APPROX. -		SIZE FORMAT A3 CAGE CODE 00779 DRAWING NO No PLAN C-141175	
CUSTOMER DRAWING / PLAN CLIENT				UNIQUEMENT POUR REFERENCE SCALE ECHELLE 6:1 SHEET FEUILLE OF DE REV B	