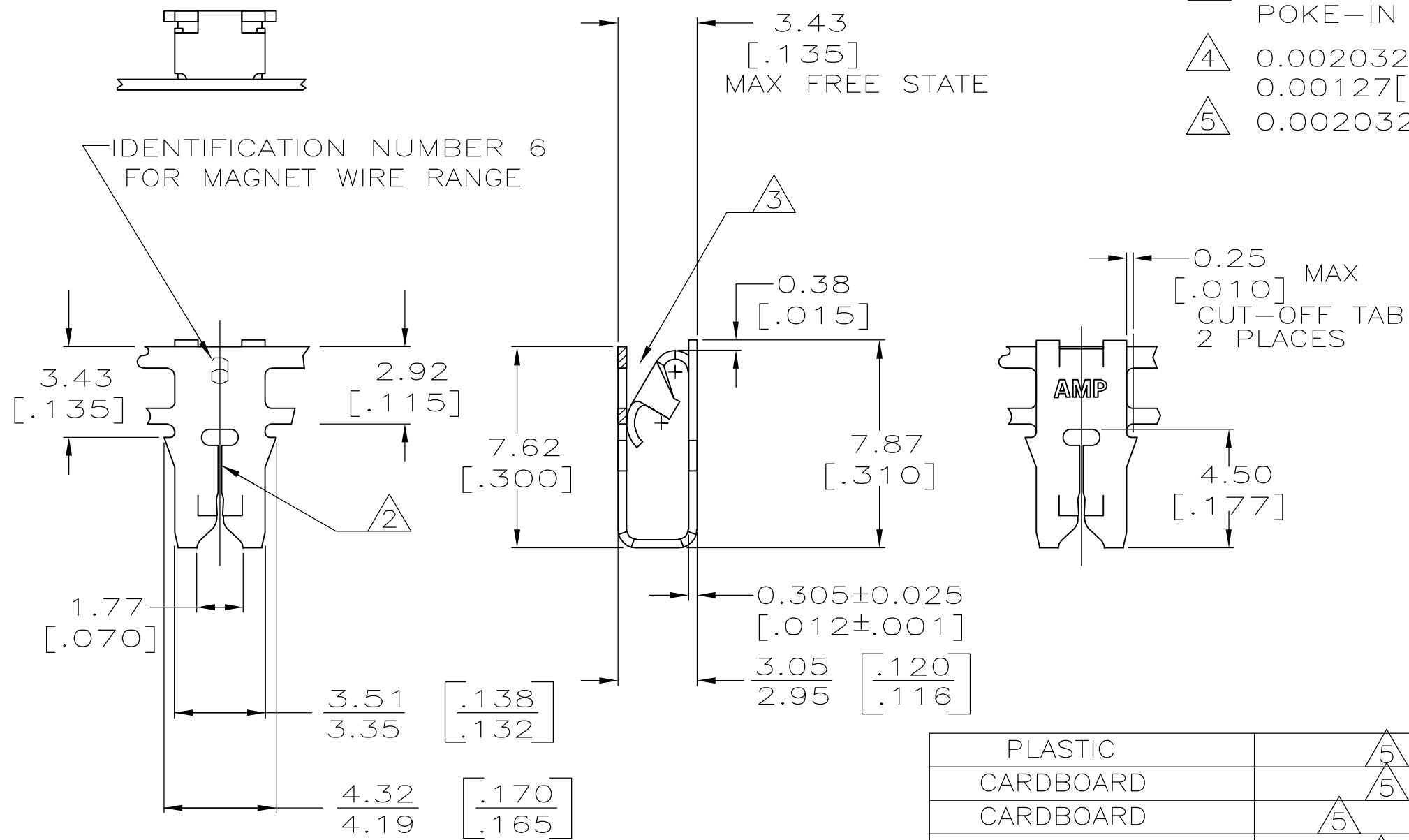


THIS DRAWING IS UNPUBLISHED. RELEASED FOR PUBLICATION
 © COPYRIGHT BY TYCO ELECTRONICS CORPORATION. ALL RIGHTS RESERVED.

LOC	DIST	REVISIONS					
AF	50	P	LTR	DESCRIPTION	DATE	DWN	APVD
			H1	REV PER ECR 06-021590	12SEP06	JR	KR

- 1 CONTINUOUS STRIP ON REELS WITH TERMINALS LOCATED ON 5.59 [.220] CENTERS.
- 2 SLOT ACCEPTS 0.25-0.36mm [#30-#27] AWG COPPER MAGNET WIRE.
- 3 MATES WITH STANDARD MAG-MATE STYLED POKE-IN TAB TERMINAL.
- 4 0.002032[.000080] MIN TIN OVER 0.00127[.000050] MIN NICKEL.
- 5 0.002032[.000080] MIN TIN.



PLASTIC	5	H04 PHOS. BRONZE	63590-4
CARDBOARD	5	H04 PHOS. BRONZE	63590-3
CARDBOARD	5	4M BRASS	63590-2
CARDBOARD	4	4M BRASS	63590-1
REELING	FINISH	MATERIAL	PART NO

THIS DRAWING IS A CONTROLLED DOCUMENT.		DWN MICHAEL S. FEHER 7/30/90	Tyco Electronics Corporation Harrisburg, PA 17105-3608	
DIMENSIONS: mm [INCHES]		CHK JEFF R. RUTH 7/30/90	APVD DONALD F. DECKER 7/30/90	
TOLERANCES UNLESS OTHERWISE SPECIFIED:		NAME SPECIAL LEAF CONTACT, 300 SERIES MAG-MATE		
0 PLC ± -		PRODUCT SPEC 108-2012		
1 PLC ± -		APPLICATION SPEC 114-2046		
2 PLC ± 0.25 [.010]		SIZE	CAGE CODE	DRAWING NO
3 PLC ± -		A3 00779		C-63590
4 PLC ± -		RESTRICTED TO		
5 PLC ANGLES ± -		-		
MATERIAL SEE TABLE	FINISH SEE TABLE	WEIGHT -		SCALE 5:1
CUSTOMER DRAWING		SHEET 1 OF 1		REV H1

METRIC