

1 2 3 4 5 6

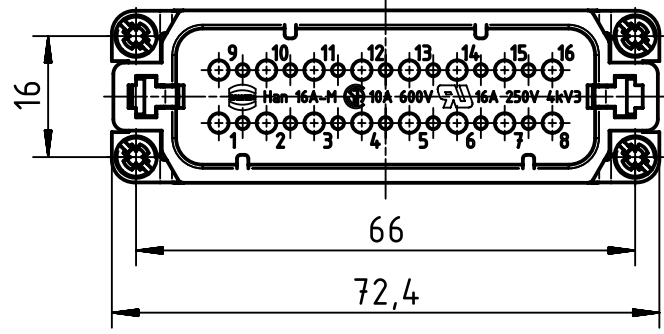
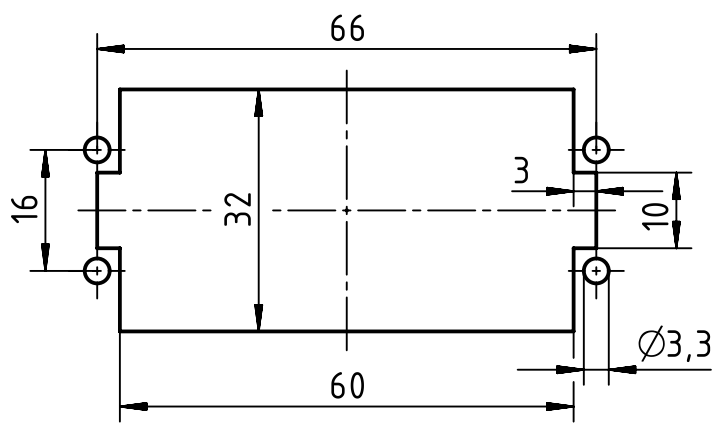
A

B

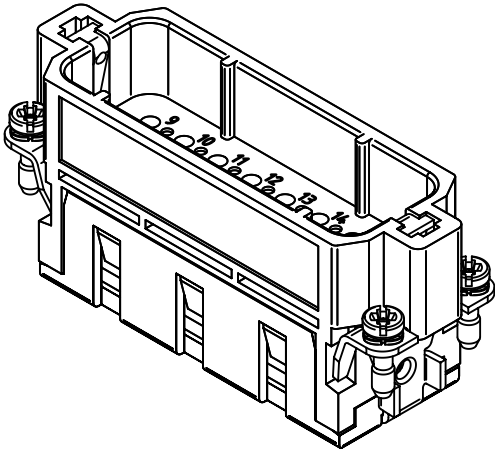
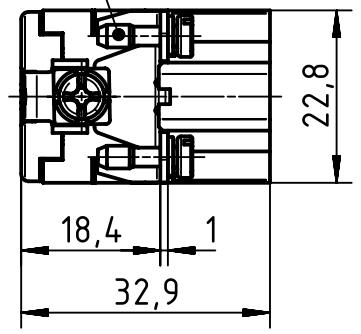
C

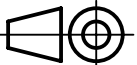

D

panel cut out



M3x10



 All Dimensions in mm Original Size DIN A4	Scale	Free size tol.			Ref.
	1:1				Sub.
 All rights reserved Department EL PD - DE	Created by	Inspected by	Standardisation	Date	State
	SPRENB	BERGHORN	TIEMANNA	2015-09-18	Final Release
HARTING Electric GmbH & Co. KG D-32339 Espelkamp	Title				Doc-Key / ECM-Nr.
	Han A 16 Pos. M Insert Crimp				100087326/UGD/012/B 500000091602
Type		Number		Rev.	Page
TB		09 20 016 3001		B	1/1