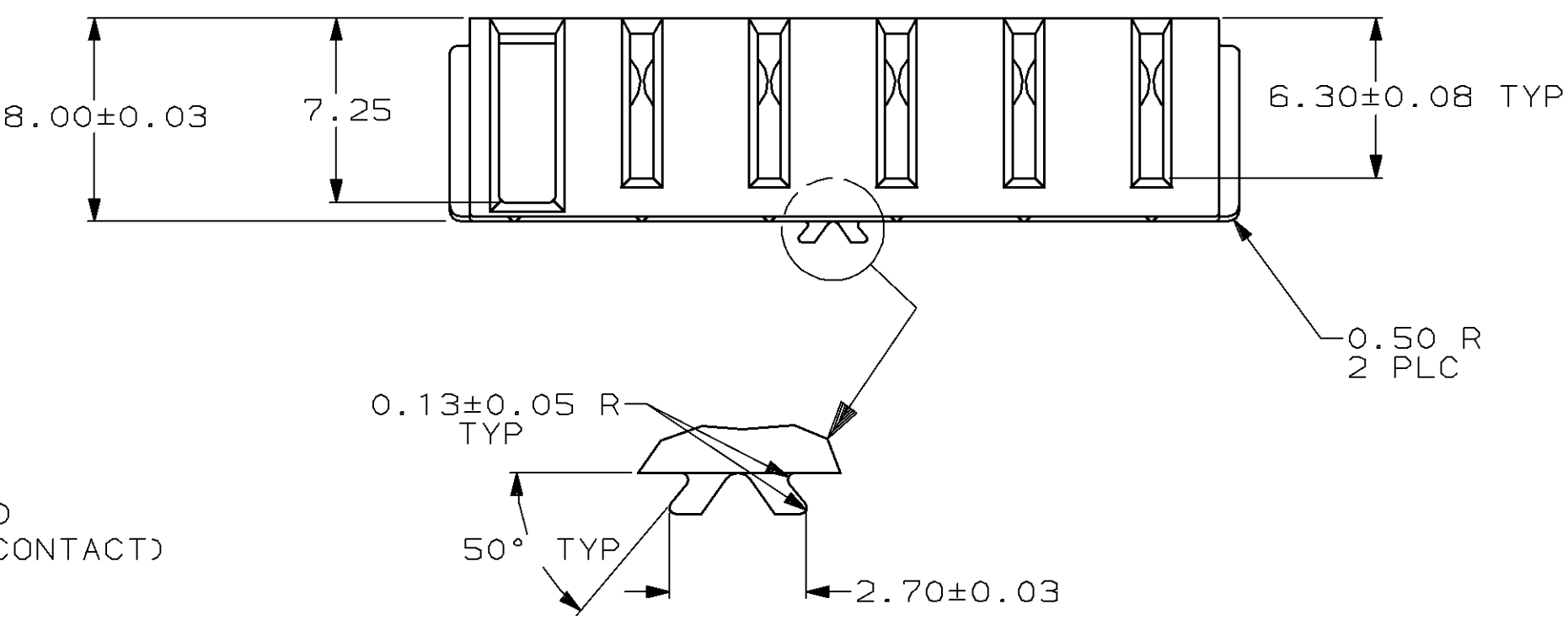
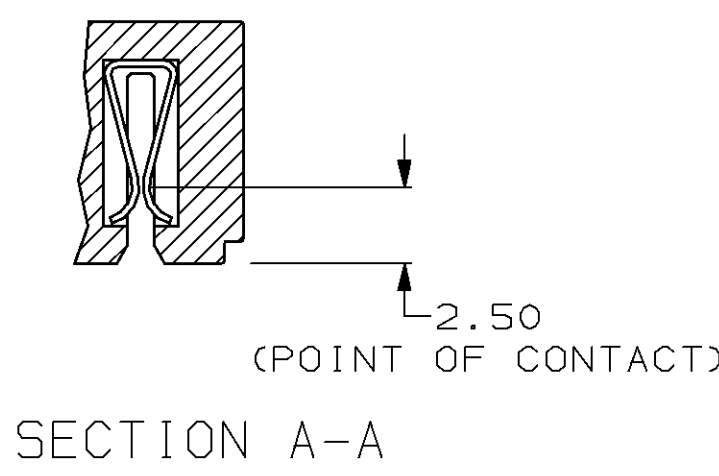
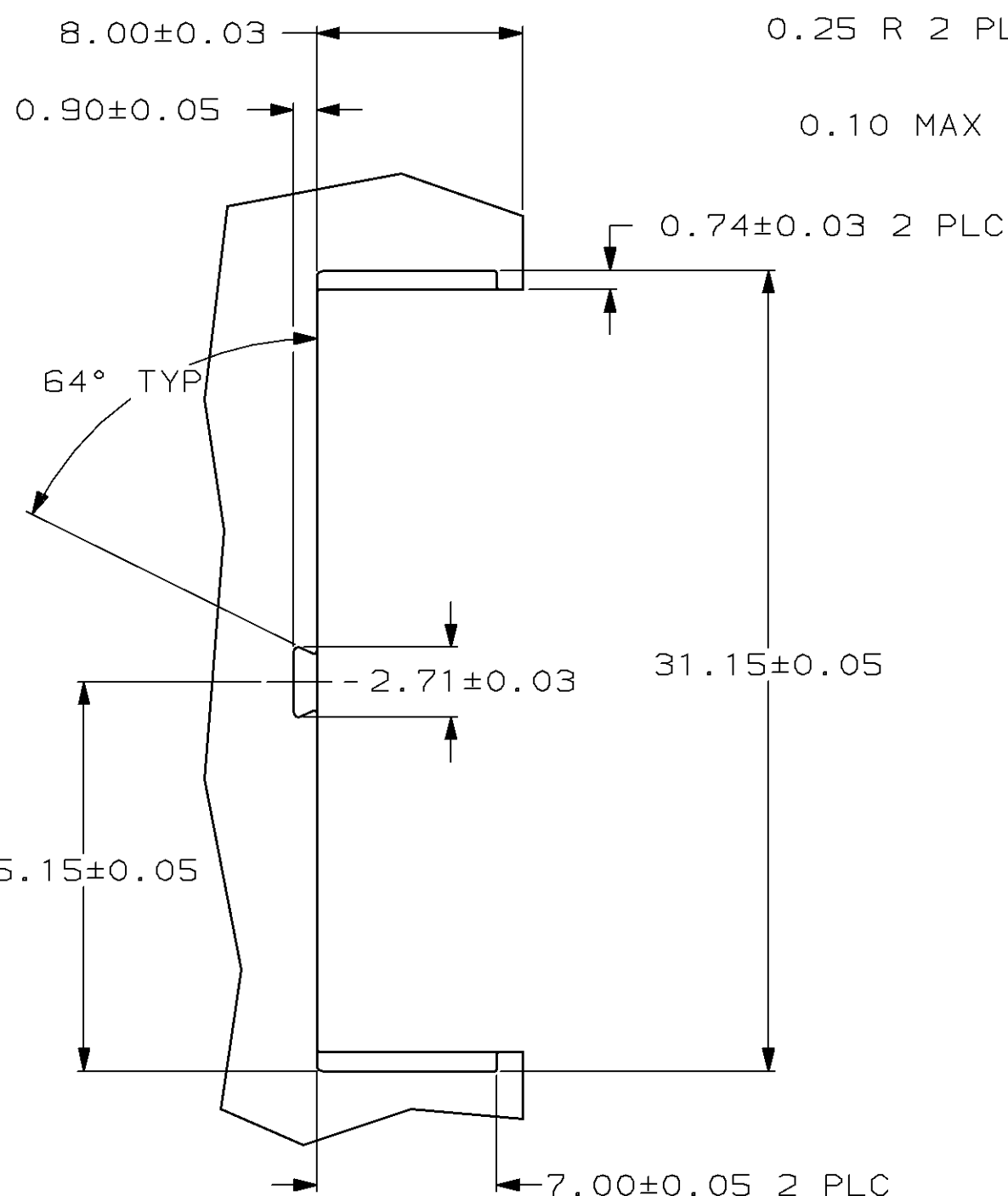
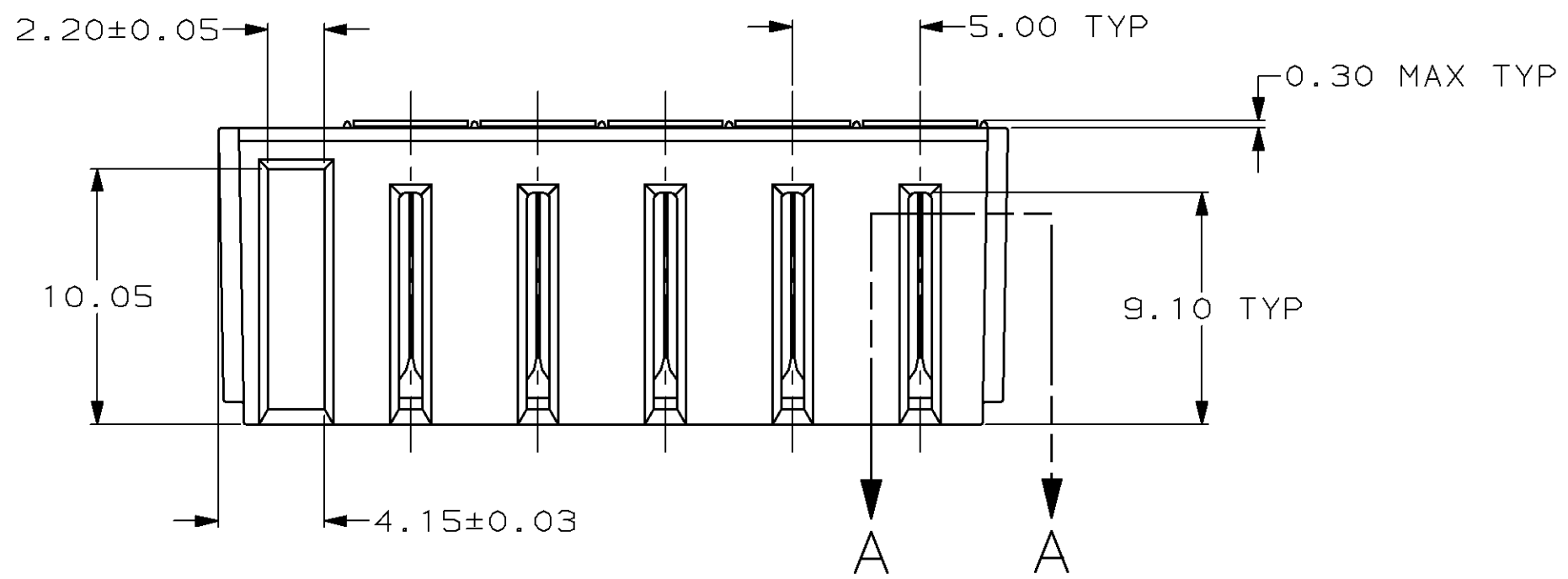
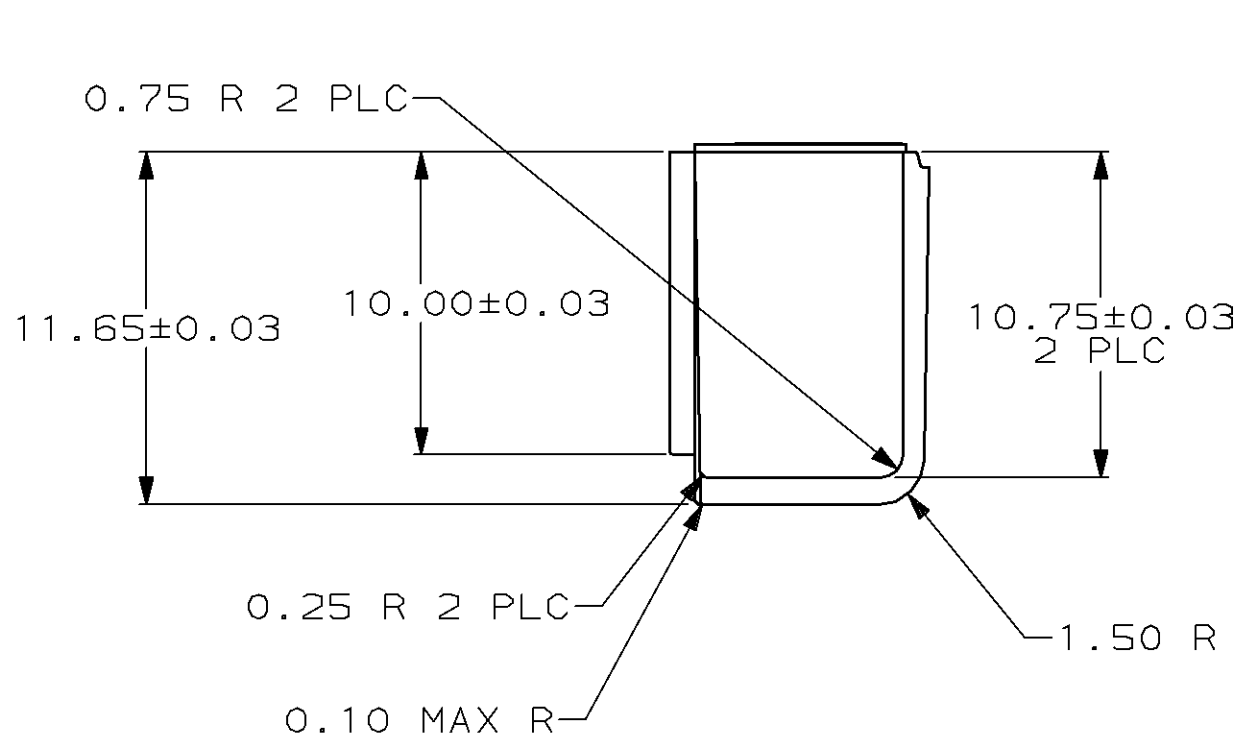
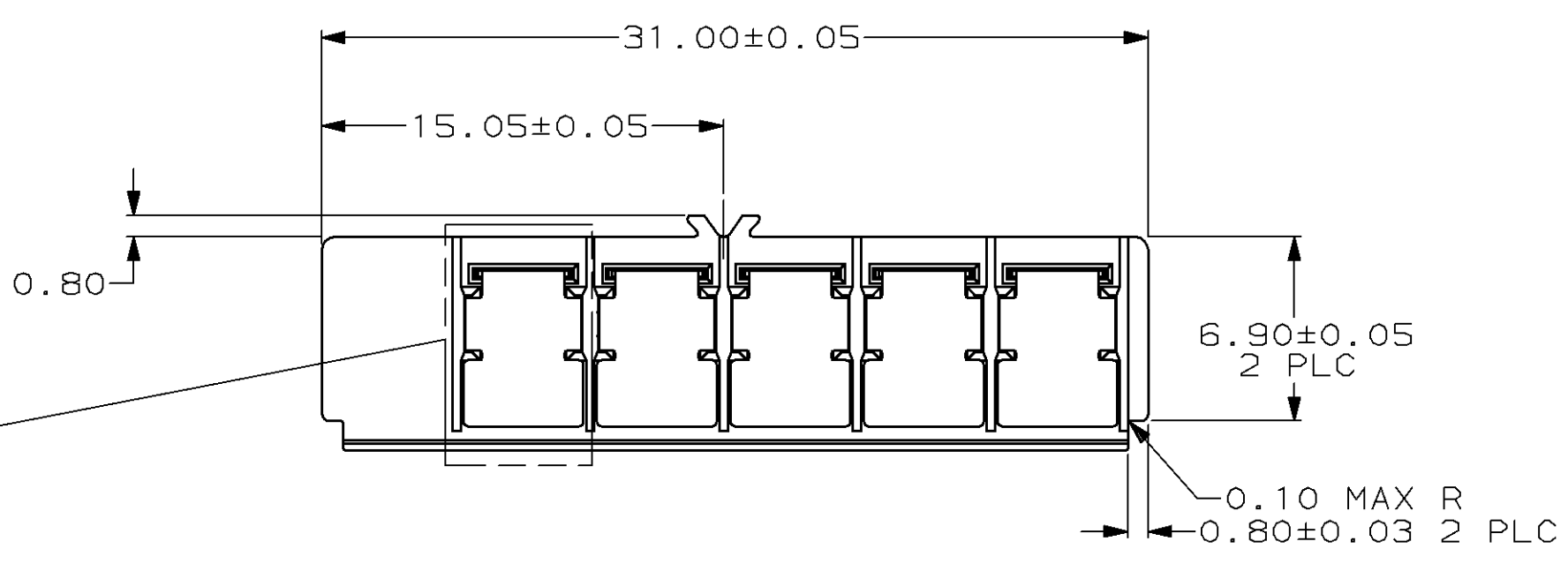
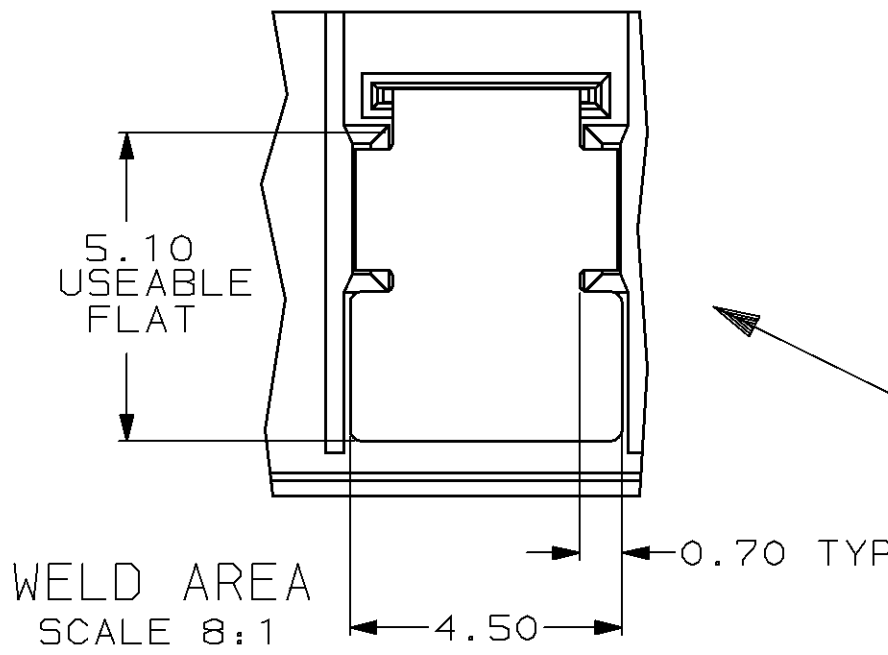


LOC		DIST		ZONE		LTR		REVISIONS		DATE	APPD
BD	39							0	RLSE -1 PER NPR 5235, WAS 93-1878-145-1	11/15/94	SK



DO NOT SCALE PRINT. UNLESS SPECIFIED DIMENSIONS IN mm TOLERANCES ON : 2 PLC DEC ±0.10 3 PLC DEC ± - ANGLES ± 2°		DR 12-08-93 G.DOUTY		AMP Incorporated Harrisburg, PA 17105-3608	
MATERIAL HOUSING: POLYCARBONATE COLOR: BLACK CONTACTS: COPPER ALLOY		CHK 11-16-94 R.S.KLINE			
FINISH CONTACTS: PRE-NICKEL		APPD 11-16-94 R.S.KLINE		NAME INSERT ASSEMBLY, 5 POSITION, SINGLE KEY, DOVETAIL LOCATOR, 5mm ϕ , 7.2 VOLT, BATTERY INTERCONNECT	
APPLICATION SPEC		PRODUCT SPEC		SIZE	CAGE CODE
-		-		C	00779
WEIGHT		-		DRAWING NO	C=787328
-		-		SCALE	4:1
				SHEET	1 OF 1

THIS DRAWING IS A CONTROLLED DOCUMENT FOR AMP INCORPORATED. IT IS SUBJECT TO CHANGE AND THE CONTROLLING ENGINEERING ORGANIZATION SHOULD BE CONTACTED FOR THE LATEST REVISION.