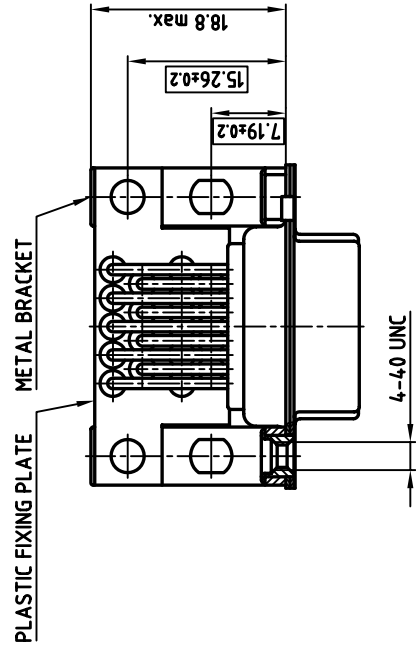
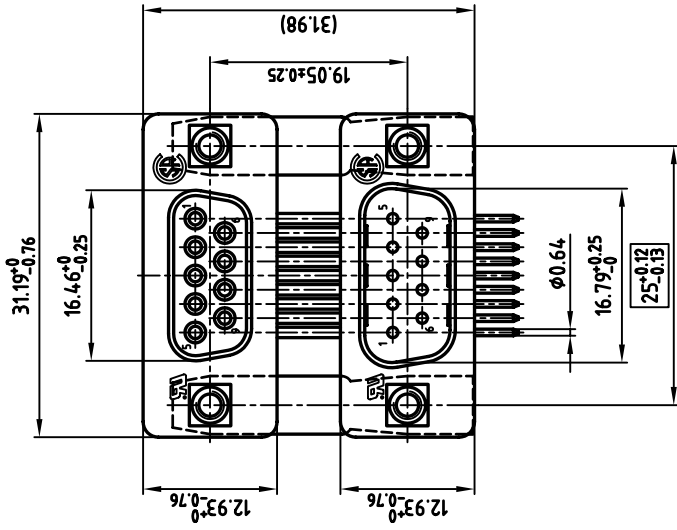
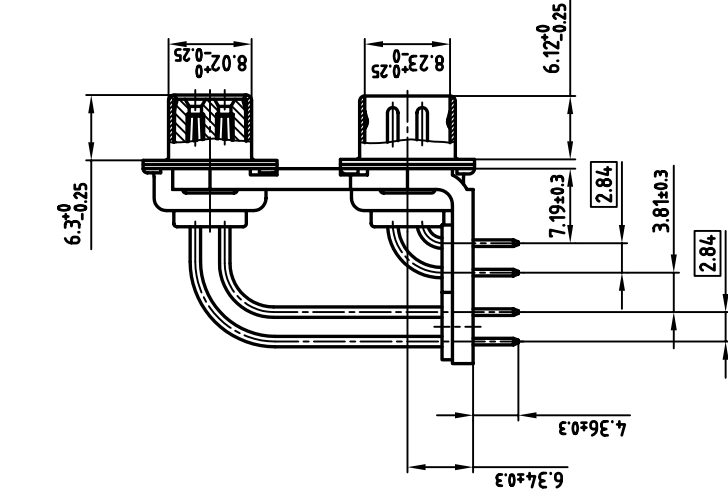
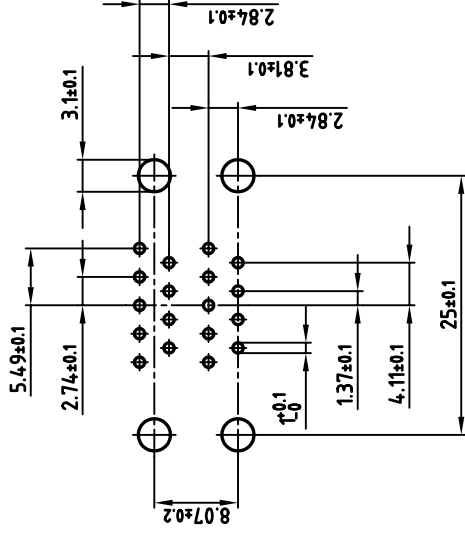


used for: D-SUB Dual-Port

P.C.B. HOLE DRILLINGS



NOTES:

1. METALSHELLS: STEEL; min. 320µ" TIN
2. INSULATORS: PBT GF UL 94 V-0, BLACK
3. CONTACTS: COPPER ALLOY
4. PLATING: min. 8µ" HARD GOLD OVER min. 50µ" NICKEL
5. METAL BRACKET: STEEL; min. 320µ" TIN over 80µ" NICKEL
6. THREADED INSERT: COPPER ALLOY; min. 200µ" TIN over 80µ" NICKEL
7. MAXIMUM TORQUE VALUE FOR THREAD: 6" LBS
8.   = CRITICAL DIMENSION: SPC



THIS DRAWING MAY NOT BE COPIED OR REPRODUCED IN ANY WAY, AND MAY NOT BE PASSED ON TO A THIRD PARTY WITHOUT WRITTEN PERMISSION. OWNERSHIP AND COPYRIGHT OF CONEC GMBH DO NOT ALTER CAD DRAWING BY HAND

rev.	description	date	name

tolerance		scale:	2:1
material:		material:	SEE NOTES
2000	date	name	title:
drawn	25.07.	A. Mickenbecker	DUAL PORT 19.05mm
appd.	25.07.	E. Mickenbecker	Female / Male 9pos.
norm		DIN 41652	with threaded insert
e-old			



dwg no: 16K1A046A  
 AutoCAD 2000  
 DIN-A  
 3  
 sh: 1/1  
 product no: 164A15969X