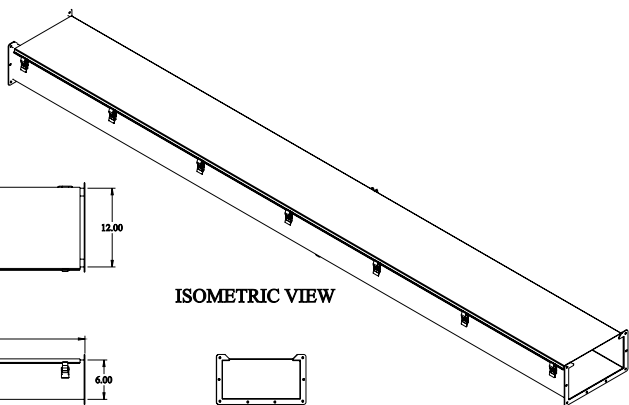


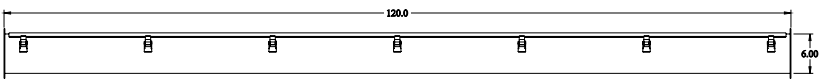
 **PART No. 1485F120**
For more information visit
www.hartmilling.com
Data subject to change without notice
Isometric drawing Not to Scale



ISOMETRIC VIEW



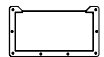
TOP VIEW



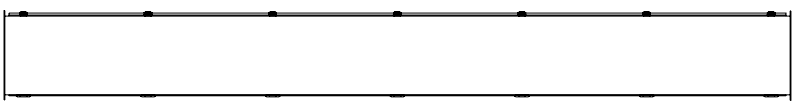
FRONT VIEW



SIDE VIEW



SIDE VIEW



BOTTOM VIEW