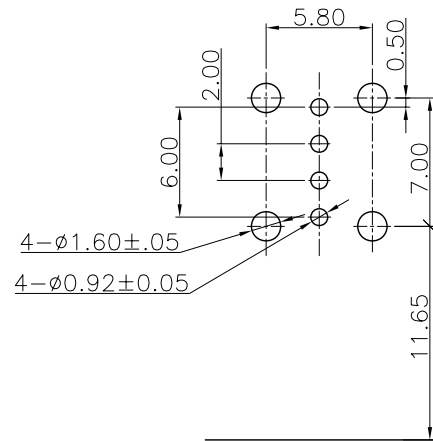
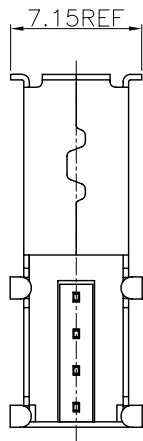
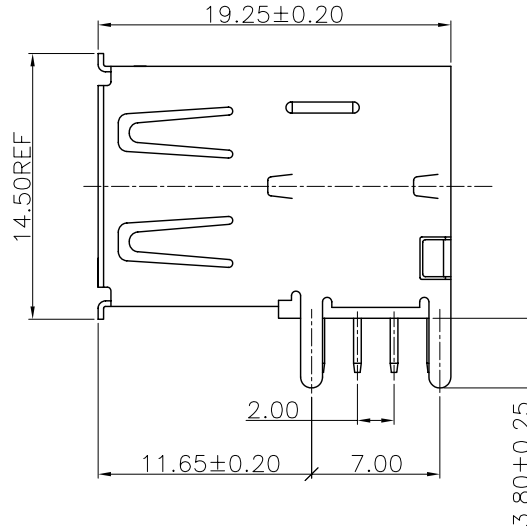
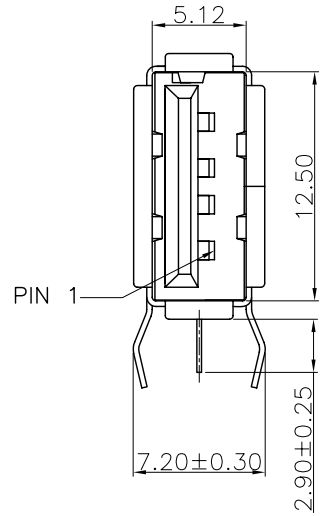


REV	ECN.NO:	B Y	DATE
A0	NEW-DWG	SYSTEM	08/05/16
A1	EG-NI012094	ING	10/10/18

NOTE:
MATERIAL:
HOUSING:PBT+30% G.F. UL 94V-0
COVER:PBT+30% G.F. UL 94V-0
CONTACT:PHOSPHOR BRONZE
FRONT SHELL:BRASS
BACK SHELL:SPCC
PLATING:
CONTACT:GOLD FLASH AND OVER NICKEL PLATED
SHELL:NICKEL OVER ALL PLATING
SPECIFICATION:
CURRENT-MAX[AMPS]:1.5A
VOLTAGE-MAX[VOLTS]:30V
WITHSTANDING VOLTAGE:500V AC
CONTACT RESISTANCE[OHMS]:30milliohms max
INSULATION RESISTANCE[OHMS]:1000MEGOHMS MIN
ENVIRONMENTAL:
TEMPERATURE RANGE:-55°C~+85°C



RECOMMENDED PCB LAYOUT

-TOLERANCES- UNLESS OTHERWISE SPECIFIED		CnC Tech,LLC						
				TITLE: USB 4P A/F DIP 90°側插30U"成品				
X.X ±0.38	X.X° ±2°	APPD:	PRODUCT NO: 1002-014-01000					
X.XX ±0.25	X.XX° ±1°	CHECK:	DATE	SCALE	UNIT	TYPE	PAGE	
X.XXX ±0.13	X.XXX° ±0.5°	DRAW:	2010.10.18	FREE	MM	Z	1	