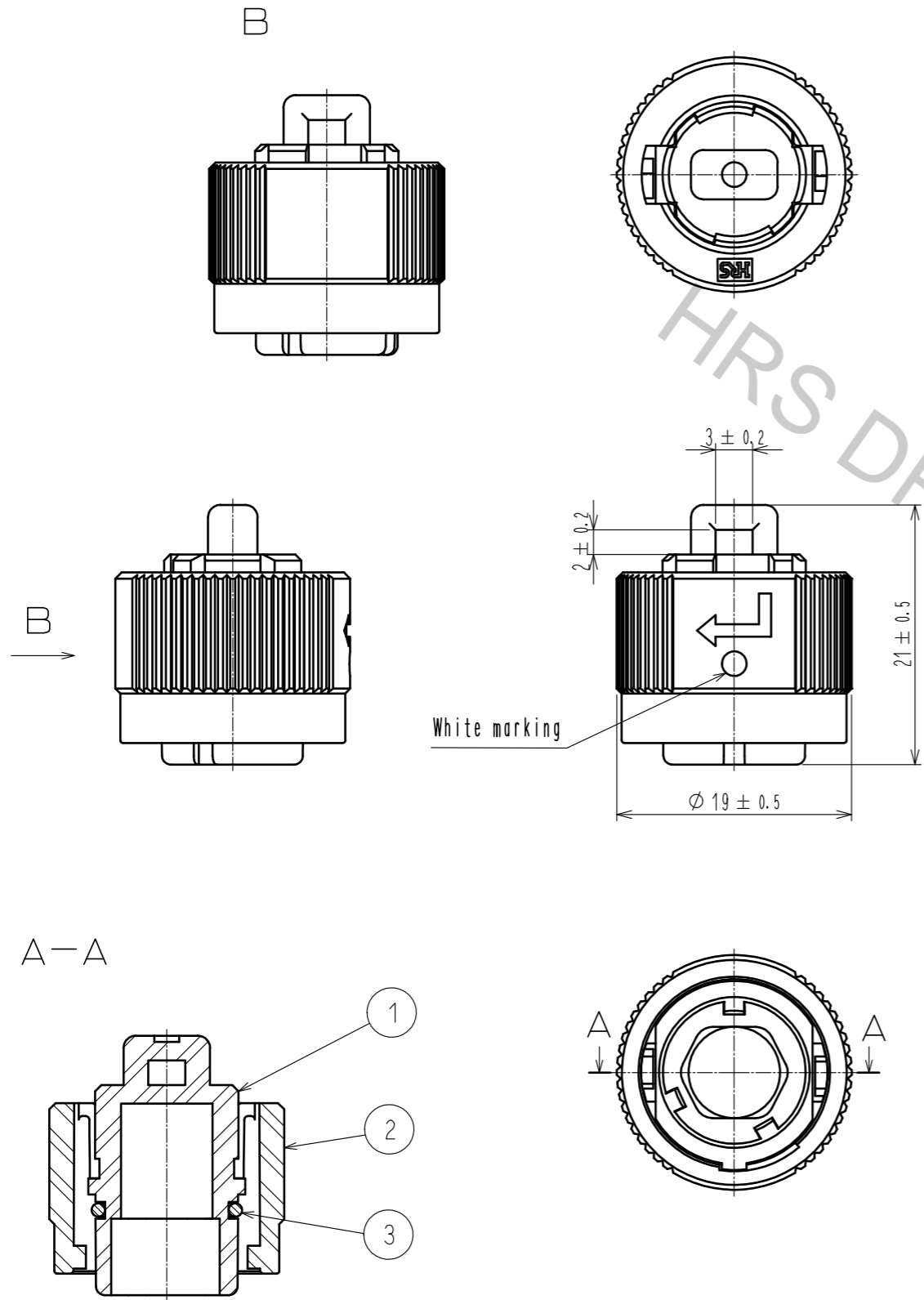
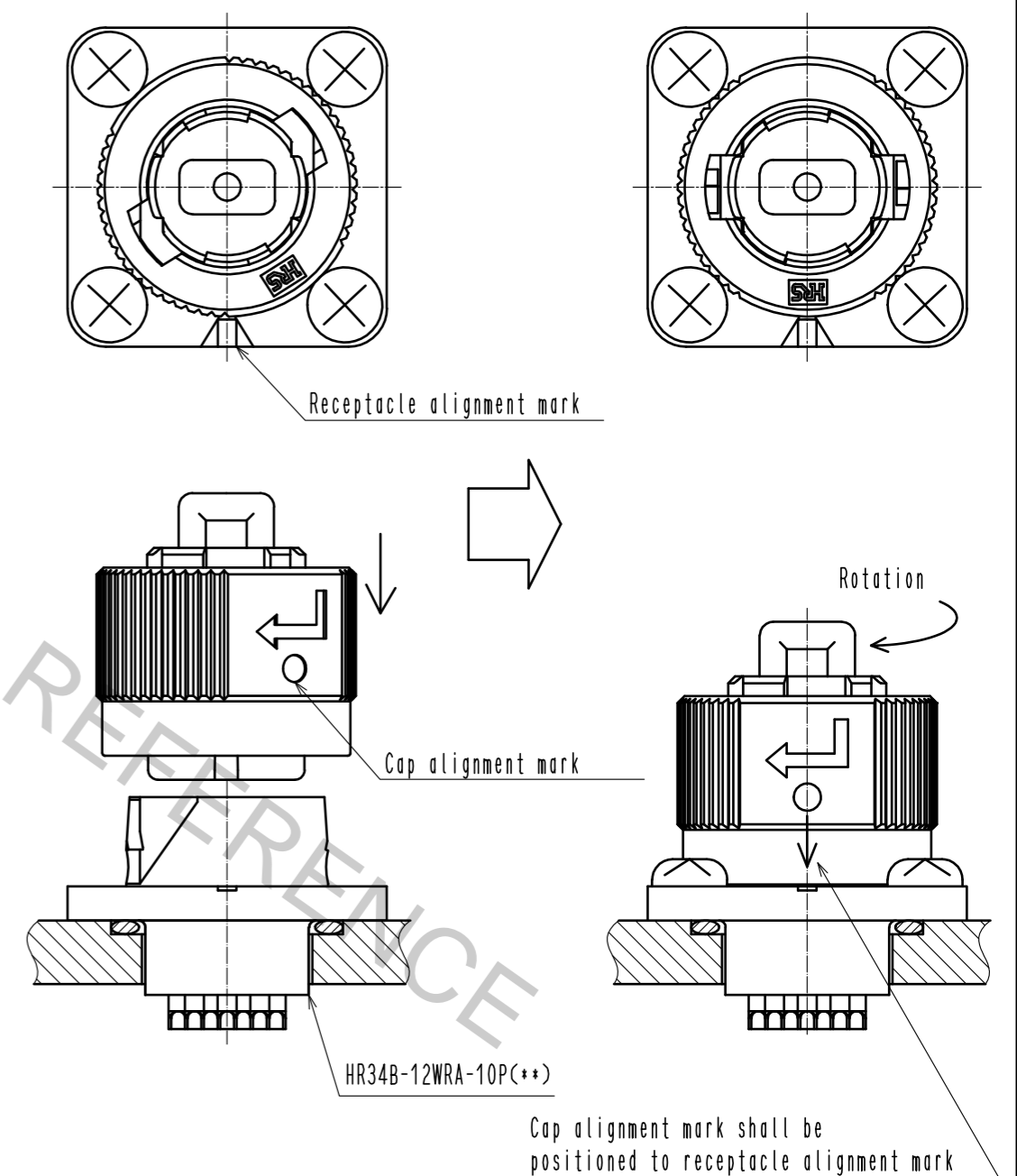


Aug.1.2018 Copyright 2018 HIROSE ELECTRIC CO., LTD. All Rights Reserved.  
 In case that the application demands a high level of reliability, such as automotive,  
 please contact a company representative for further information.



Handling ( Mating )



Cap alignment mark shall be positioned to receptacle alignment mark

2	PBT	(Black) UL94V-0			
1	PBT	(Black) UL94V-0	3	Silicone rubber	(Red)
NO.	MATERIAL	FINISH . REMARKS	NO.	MATERIAL	FINISH . REMARKS
UNITS		SCALE	COUNT	DESCRIPTION OF REVISIONS	
mm		2 : 1		DESIGNED	CHECKED
HIROSE ELECTRIC CO., LTD.			APPROVED : YH. YAMADA	17.02.27	DRAWING NO. EDC3-118786-00
			CHECKED : HY. KOBAYASHI	17.02.27	PART NO. HR34B-12WR-C1
			DESIGNED : TH. KAMEYA	17.02.24	CODE NO. CL134-3002-8-00
			DRAWN : TH. KAMEYA	17.02.24	