


VC-K-T1-R-M20

Order No.: 1855097



<http://eshop.phoenixcontact.de/phoenix/treeViewClick.do?UID=1855097>

Sleeve housing, plastic, with metric cable outlet, locking screws with knurled head, type: VC1, cable screw connection: M20

Commercial data	
GTIN (EAN)	 4 017918 970857
sales group	D200
Pack	5 pcs.
Customs tariff	85472000
Catalog page information	Page 366 (PC-2009)

Product notes

WEEE/RoHS-compliant since:
01/01/2005



<http://www.download.phoenixcontact.com>
Please note that the data given here has been taken from the online catalog. For comprehensive information and data, please refer to the user documentation. The General Terms and Conditions of Use apply to Internet downloads.

Technical data

General characteristics

Note	When using fiber optics, the bending radii of the cable manufacturers must be observed.
Design	VC1
Degree of protection	IP65
Inflammability class acc. to UL 94	V0
Type of the screw connection	M20
Pg screw connection	None
Height	65 mm
Cable exit	Angled
Housing material	PA
Seal material	EPDM
Ambient temperature (operation)	-40 °C ... 80 °C

Accessories

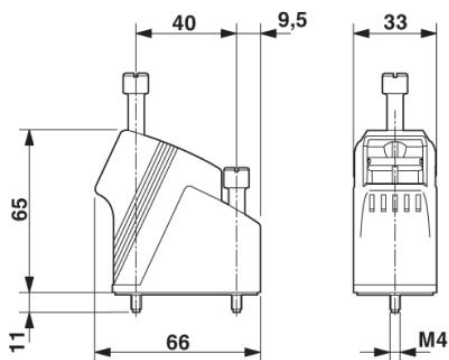
Item	Designation	Description
------	-------------	-------------

Marking

1852875	VC-BZS WH	Marker labels, unprinted, 5-section, for individual labeling with M-PEN or CMS system, white
---------	-----------	--

Diagrams/Drawings

Dimensioned drawing



Address

PHOENIX CONTACT Deutschland GmbH
Flachmarktstr. 8
32825 Blomberg, Germany
Phone +49 5235 3 12000
Fax +49 5235 3 41200
<http://www.phoenixcontact.de>



© 2011 Phoenix Contact
Technical modifications reserved;