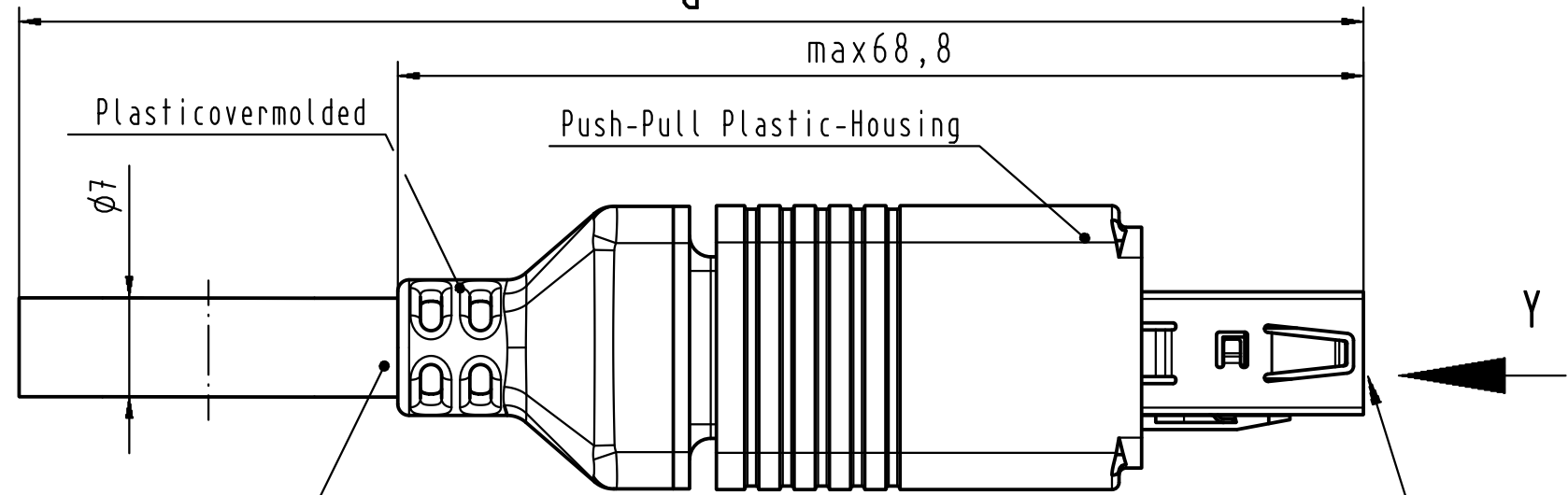
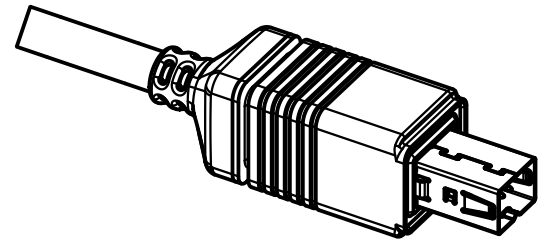


Alle Rechte vorbehalten/ All rights reserved



RJ45 Hybrid Cable, Cat5, PUR  
4AWG 26/7, 3AWG 20/7

Mating face according to IEC 61076-3-106

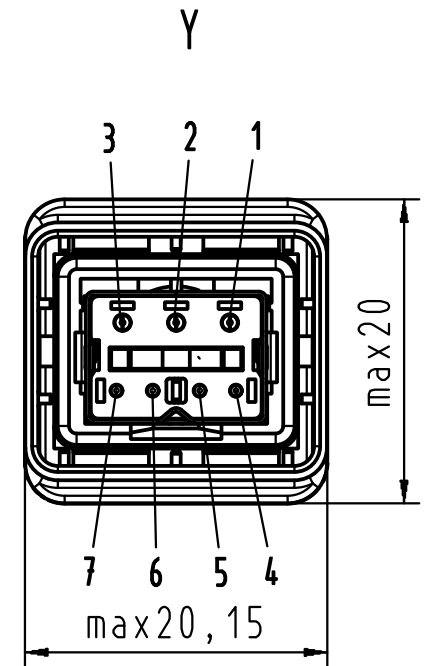
- Transmission properties in accordance with ISO/IEC 11801:2002, EN 50 173-1: Class D.
- Protection level: IP67/65
- Temperature range: -40°C ...+70°C

**Loading-Plan  
Power wires**

- red 1
- brown 2
- yellow 3

**Data wires**

- Shield 4
- blue 4
- white 5
- orange 6
- yellow 7



For Information Only  
won't be replaced when changed

7	Hybrid Cable, 4AWG 26/7, 3AWG 20/7	09 47 61 00 200	20 m
6	Hybrid Cable, 4AWG 26/7, 3AWG 20/7	09 47 61 00 100	10 m
5	Hybrid Cable, 4AWG 26/7, 3AWG 20/7	09 47 61 00 050	5 m
4	Hybrid Cable, 4AWG 26/7, 3AWG 20/7	09 47 61 00 030	3 m
3	Hybrid Cable, 4AWG 26/7, 3AWG 20/7	09 47 61 00 020	2 m
2	Hybrid Cable, 4AWG 26/7, 3AWG 20/7	09 47 61 00 010	1 m
1	Hybrid Cable, 4AWG 26/7, 3AWG 20/7	09 47 61 00 005	0,5 m

Cont No.	Type of cable	Part-No.	Dim. a
----------	---------------	----------	--------

	All Dimensions in mm Original Size DIN A 3			Techn. Character.			Nicht tolerierte Maßel Free size tolerances				
	Mod.	Dat.	Name	Detail.	Dat.	Name	Maßstab/Scale  2:1	RJ45 cord, 1xPush Pull Hybrid 4AWG26/7+3AWG20/7, CAT5			
35006			Insp.	30.07.08	MS						
			Stand.								
HARTING Electronics GmbH & Co. KG D-32339 ESPELKAMP									TB 09 47 61 00 xxx		Blatt/ page Sub.