

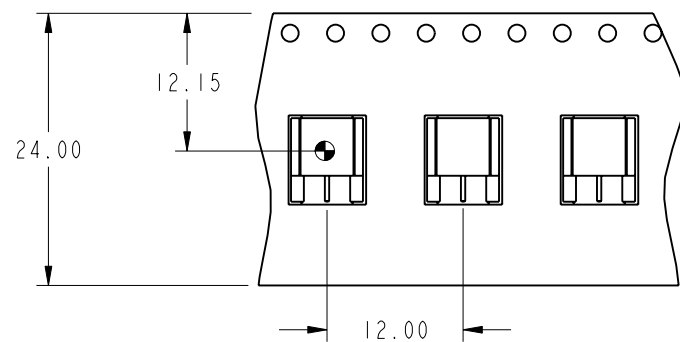
NOTES:

- MATERIALS AND FINISHES:  
 BODY - BERYLLIUM COPPER, GOLD PLATING  
 CONTACT - BERYLLIUM COPPER, GOLD PLATING  
 INSULATOR - PTFE
- ELECTRICAL:  
 A. IMPEDANCE: 50 OHM  
 B. FREQUENCY RANGE: DC - 18 GHz  
 C. DIELECTRIC WITHSTANDING VOLTAGE - 500 VRMS MIN
- MECHANICAL:  
 A. TEMPERATURE RANGE: -65° C TO +165° C  
 B. DURABILITY: 500 CYCLES MIN.
- ☉: THE CENTER OF GRAVITY.
- PACKAGING:  
 A. TAPE AND REEL: 13" REEL, 1000 PCS PER REEL  
 B. T&R TO BE MARKED  
 "AMPHENOLRF, SMP-MSFD-PCE-1, AND DATE CODE"

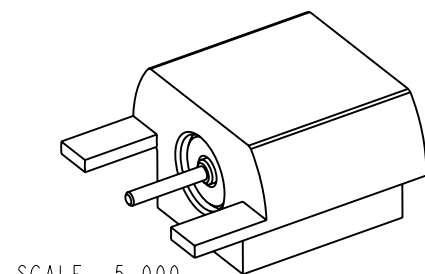
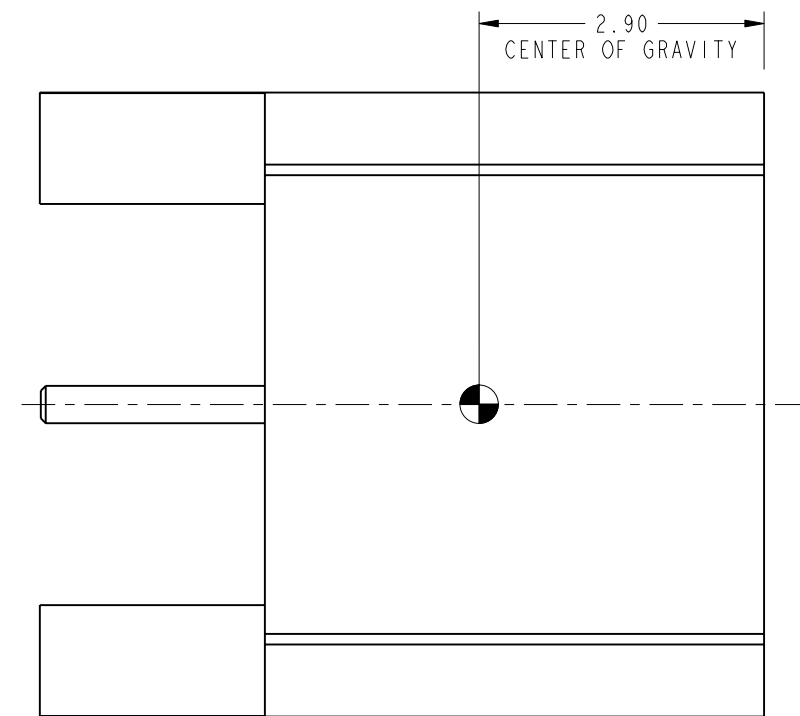
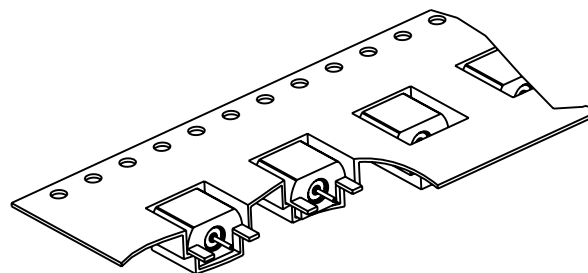
THIRD ANGLE PROJ.

REVISIONS

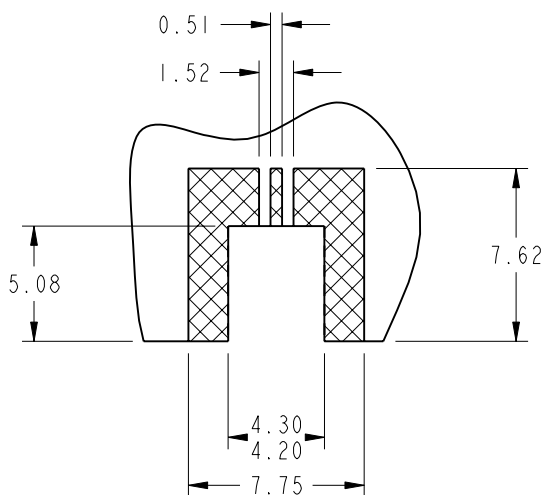
REV	DESCRIPTION	DATE	ECO	APPR
A	RELEASE TO MFG.	22-Jul-14	48618	RM
B	4.16 WAS 4.34\RD-DMI4101701R3	29-Oct-14	50225	RM



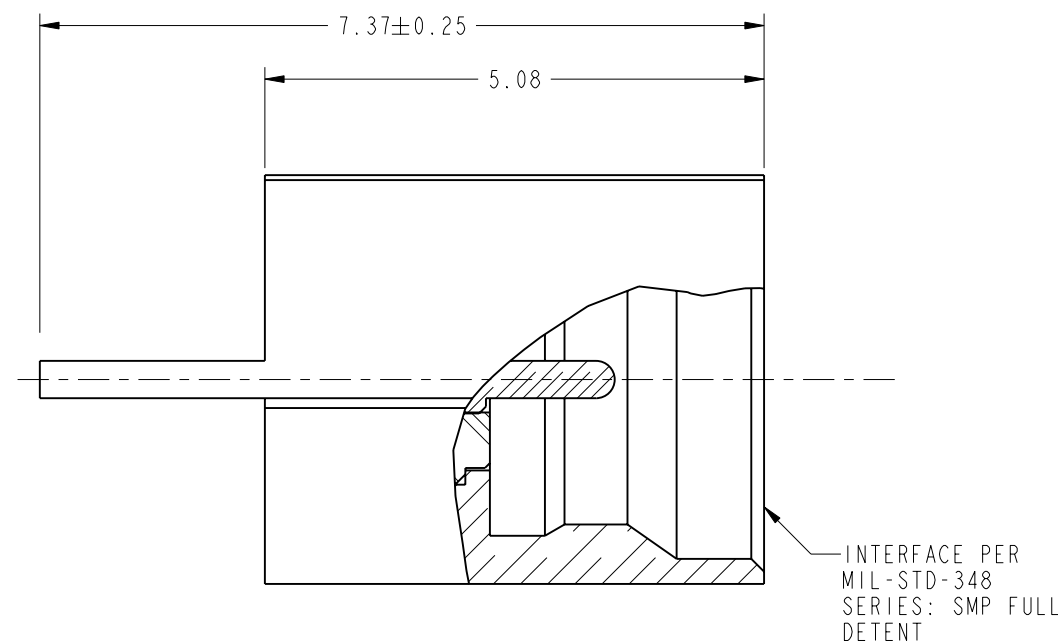
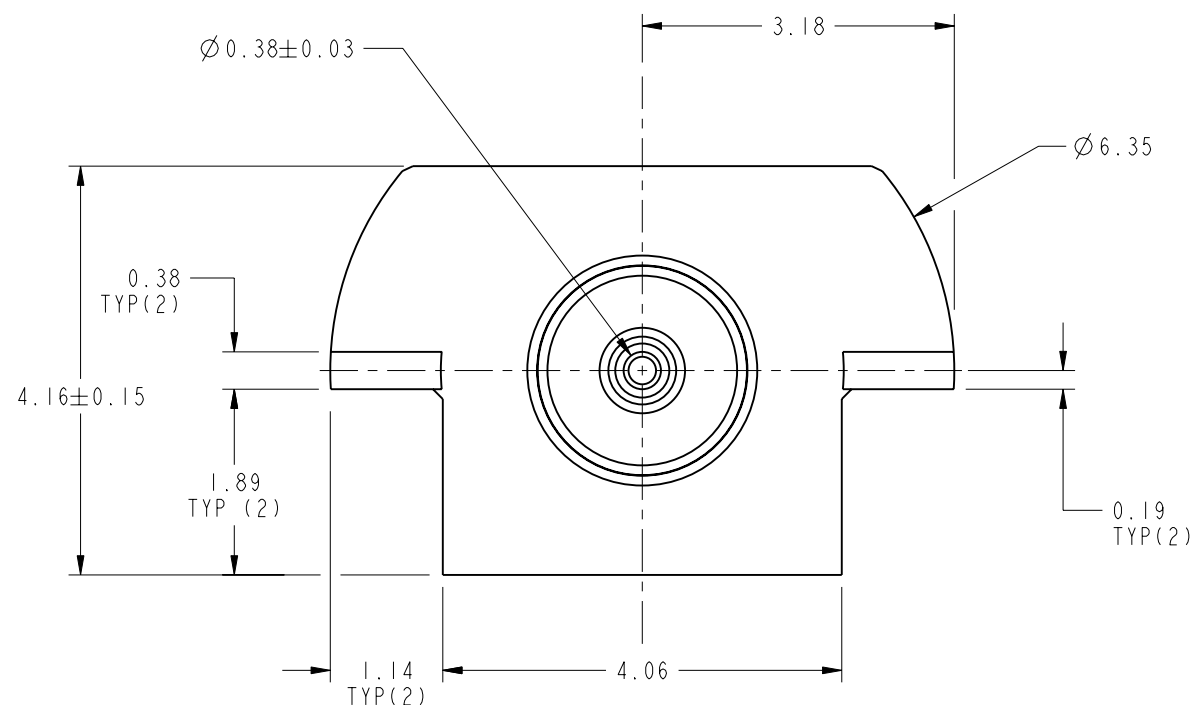
SCALE 1.500



SCALE 5.000



**RECOMMENDED PCB CUT OUT AND TRACE**



**CUSTOMER OUTLINE DRAWING**

ALL OTHER SHEETS ARE FOR INTERNAL USE ONLY

UNLESS OTHERWISE SPECIFIED, DIMENSIONS ARE IN METRIC AND TOLERANCES ARE:  
 <0.5mm ±0.05mm    0.5 - 6mm ±0.1mm    6 - 30mm ±0.2mm    30 - 120mm ±0.3mm    ANGLES ±1°

NOTICE - These drawings, specifications, or other data (1) are, and remain the property of Amphenol corp. (2) must be returned upon request; and (3) are confidential and not to be disclosed to any person other than those to whom they are given by Amphenol Corp. the furnishing of these drawings, specifications, or other data by Amphenol Corp., or to any other person to anyone for any purpose is not to be regarded by implication or otherwise in any manner licensing, granting rights to permitting such holder or any other person to manufacture, use or sell any product, process or design, patented or otherwise, that may in any way be related to or disclosed by said drawings, specifications, or other data.

MATERIAL	SEE NOTES
REFERENCE	EAR # 4190.1
CONFIGURATION LEVEL:	<input type="checkbox"/> <input type="checkbox"/> <input type="checkbox"/> <input type="checkbox"/>
FINISH	

DRAWN	R. MAO	DATE	21-Jul-14
ENGINEER	R. RAJAN	DATE	20-Oct-09
APPROVED	S. HSIEH	DATE	29-Oct-14
CAD FILE			

TITLE	
ASSEMBLY, SMP JACK FULL DETENT EDGE MOUNT	
SCALE: 13.0:1.0	SHEET 2 OF 2
DWG SIZE B	REV B

Amphenol RF	
www.amphenolrf.com	
DRAWING NO. SMP-MSFD-PCE-1	
ITEM NO. SMP-MSFD-PCE-1	
PART NO. SMP-MSFD-PCE-1	