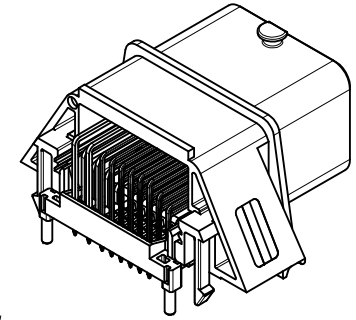


| | |
|------------------------|---|
| 0643340100 | MOLEX MATERIAL NO. CODING BLACK / MOLEX Teile-Nr. Kodierung schwarz |
| 0643340300 | MOLEX MATERIAL NO. CODING BROWN / MOLEX Teile-Nr. Kodierung braun |
| CMC Header Assy 32ckt. | DESCRIPTION / Benennung |
| 28.3 g | WEIGHT MEASURED / GEWICHT GEMESSEN |

NOTES
Bemerkungen

- GENERAL TOLERANCE ACC. DIN 16901 Group 130
Allgemeintoleranz nach DIN 16901 Gruppe 130
- SEALING AREA (NO BURR, SCRATCHES, CONTAMINATION, SHRINK DEPENDED WARPAGE AND TOOL SPLITTING LINES ALLOWED)
Dichtbereich (Kein Grat, Kratzer, Verschmutzung, schwindungsbedingte Wandeinfälle und Werkzeugtrennlinien erlaubt)
- MATERIAL MARKING
ADDITIONAL MARKING POSSIBLE
e.g.: - CAVITY No.
- MATERIAL No.
- VERSION No.
- TRACEABILITY MARKING (INK-JET OR LASERMARKING (SPECIAL PLASTIC MATERIAL NEEDED))
- etc.
Materialkennzeichnung
Zusätzliche Kennzeichnungen möglich
z.B.: - Nest Nr.
- Teile Nr.
- Versions Nr.
- Rückverfolgbarkeitskennzeichnung (Tinten- oder Laserbedruckung (spezielles Kunststoffmaterial nötig))
- etc.
- TOOLING SPLITTING LINES FOR AIR VENT (2x)
Werkzeugtrennlinien zur Entlüftung (2x)
- COLOUR CODING ON INTERFACE (BLACK AND BROWN)
Farbkodierung an Schnittstelle (schwarz und braun)
- MARKING FOR HARNESS DIRECTION: APPLY WHITE INK
Kennzeichnung Kabelabgangsrichtung: Verwendung weißer Tinte
- MATES WITH CMC CONNECTOR 32CKT.
Steckbar mit CMC Steckverbinder 32pol.
MATERIAL NO's:
RIGHT WIRE OUTPUT BROWN CODING 643193219
RIGHT WIRE OUTPUT BLACK CODING 643193211
Teilenummern:
Rechter Kabelabgang braune Kodierung 643193219
Rechter Kabelabgang schwarze Kodierung 643193211



3D-VIEW
3D-Ansicht

TECHNICAL PERFORMANCE CHARACTERISTICS
Technische Leistungsmerkmale

LOCKING FEATURES RETENTION FORCE AVERAGE: >260N
THE LOWEST RETENTION FORCE VALUE >240N
Durchschnittliche Haltekraft an den Verriegelungsdomen: >260N
Der kleinste Wert darf 240N nicht unterschreiten

PIN AND TAB RETENTION AND TRACTION FORCES:
Pin und Tab Druck- und Zughaltekräfte:

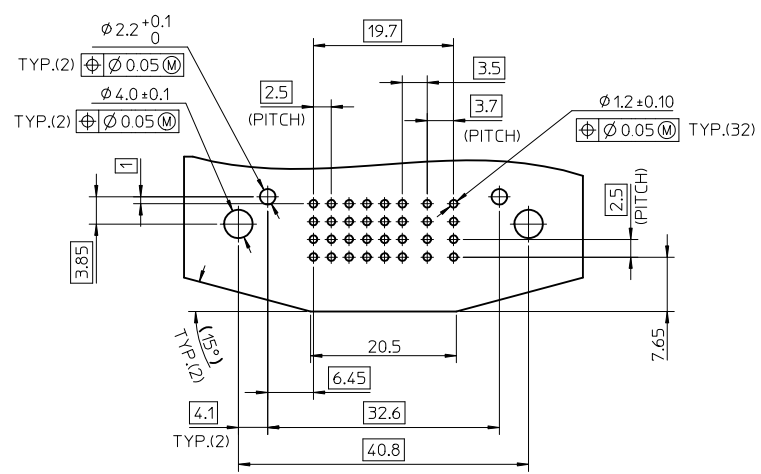
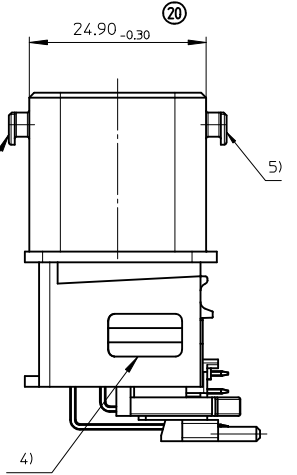
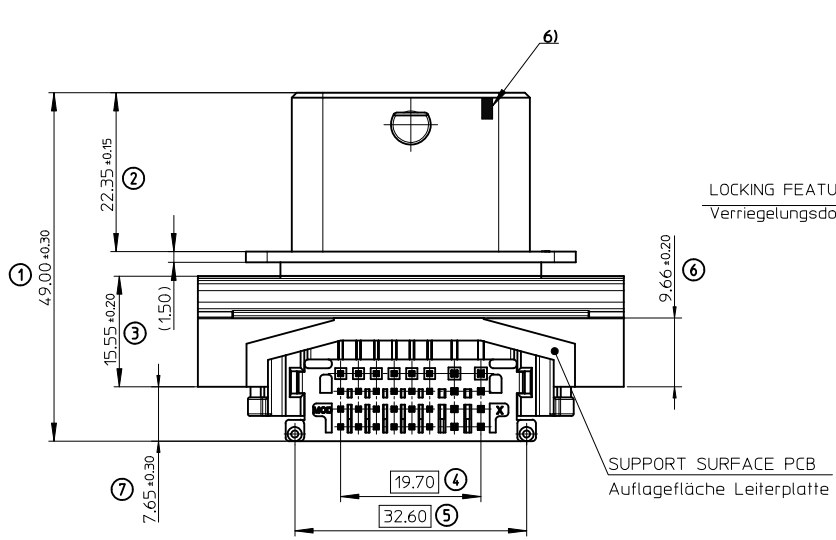
| CONTACT Kontakt | SIZE [mm] Größe [mm] | RETENTION FORCES Haltekraft Druck |
|--------------------|-------------------------|--------------------------------------|
| Pin | 0,635x0,635 | ≥30N |
| Tab | 1,5x0,8 | ≥60N |

SOLDERABILITY:
TESTING ACC. DIN IEC 60068-2-20 WITHOUT PRE-AGING
Lötbarkeit:
Durchführung nach DIN IEC 60068-2-20 ohne Voralterung

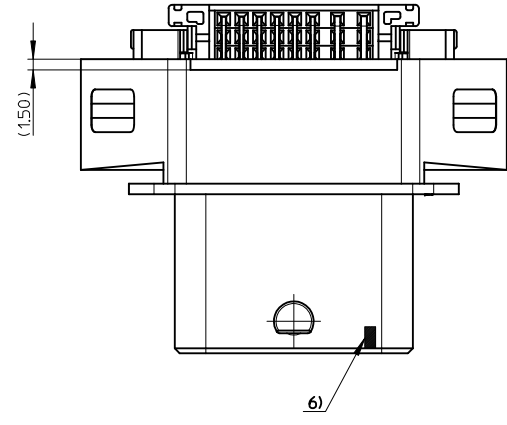
ALL FURTHER TECHNICAL PERFORMANCE CHARACTERISTICS
ARE SHOWN IN PRODUCTS AND TEST SPECIFICATION OF
THE RELEVANT FEMALE CONNECTORS -> PS-64319-001
Alle weiteren Technischen Leistungsmerkmale entnehmen
Sie den Produkt- bzw. Testspezifikationen der
entsprechenden Steckverbinder -> PS-64319-001

| ITEM Position | DESCRIPTION Benennung | MOLEX MAT.-NO. Molex Teile-Nr. | RAW MATERIAL Rohmaterial | BARRIER (overall) FINISH (overall) PLATING [µm] Beschichtung [µm] | UNIT Einheit | AMOUNT Menge |
|---------------|-----------------------|--------------------------------|--------------------------|---|--------------|--------------|
| 10 | Pin 1.5 Row 4 | 500756-4024 | CuZn30 R410 | Ni 1.3-3.8 Sn 2-4 | Piece | 2 |
| 9 | Pin 1.5 Row 3 | 500756-3024 | CuZn30 R410 | Ni 1.3-3.8 Sn 2-4 | Piece | 2 |
| 8 | Pin 1.5 Row 2 | 500756-2024 | CuZn30 R410 | Ni 1.3-3.8 Sn 2-4 | Piece | 2 |
| 7 | Pin 1.5 Row 1 | 500756-1024 | CuZn30 R410 | Ni 1.3-3.8 Sn 2-4 | Piece | 2 |
| 6 | Pin 0.64 Row 4 | 500757-4024 | CuZn30 R410 | Ni 1.3-3.8 Sn 2-4 | Piece | 6 |
| 5 | Pin 0.64 Row 3 | 500757-3024 | CuZn30 R410 | Ni 1.3-3.8 Sn 2-4 | Piece | 6 |
| 4 | Pin 0.64 Row 2 | 500757-2024 | CuZn30 R410 | Ni 1.3-3.8 Sn 2-4 | Piece | 6 |
| 3 | Pin 0.64 Row 1 | 500757-1024 | CuZn30 R410 | Ni 1.3-3.8 Sn 2-4 | Piece | 6 |
| 2 | Guiding Plate | 0643340002 | PBT GF30-V0 blk | --- | Piece | 1 |
| 1 | Housing | 0643340010 | PBT GF30-V0 blk | --- | Piece | 1 |

| ENTER DESCRIPTION EC NO: GCA2011-0026 DRWN:TUO 2010/10/15 CHKD:JGIUR/ATO 2010/10/18 APPR:PBERG 2010/10/26 | QUALITY SYMBOLS ▽=0 ▽=0 ▽=0 | GENERAL TOLERANCES (UNLESS SPECIFIED) | | DIMENSION STYLE MM ONLY | | SCALE 2:1 | DESIGN UNITS METRIC | THIRD ANGLE PROJECTION |
|---|--------------------------------------|---------------------------------------|------|---|--------------------|---|------------------------|------------------------|
| | | mm | INCH | DRAWN BY MBALZER | DATE 2008/08/04 | TITLE CMC HEADER 32CKT. ASSEMBLED SOLDER VERSION | | |
| B1 | DESCRIPTION | 4 PLACES ±--- | ±--- | APPROVED BY PBERG | DATE 2010/10/26 | MATERIAL NO. SD-64334-100 | DOCUMENT NO. | SHEET NO. 1 OF 5 |
| | | 3 PLACES ±--- | ±--- | SEE TABLE | | | | |
| DRAFT WHERE APPLICABLE MUST REMAIN WITHIN DIMENSIONS | | ANGULAR ±--- | | THIS DRAWING CONTAINS INFORMATION THAT IS PROPRIETARY TO MOLEX INCORPORATED AND SHOULD NOT BE USED WITHOUT WRITTEN PERMISSION | | | | |

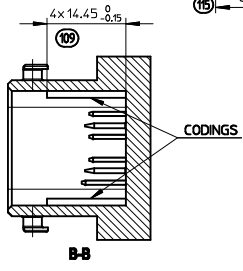
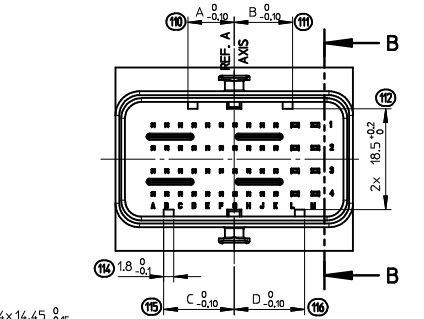
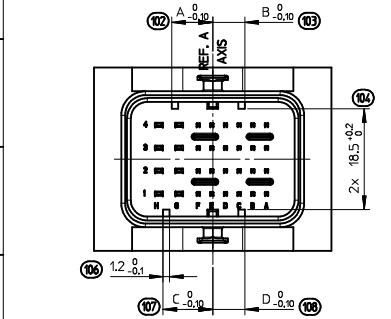
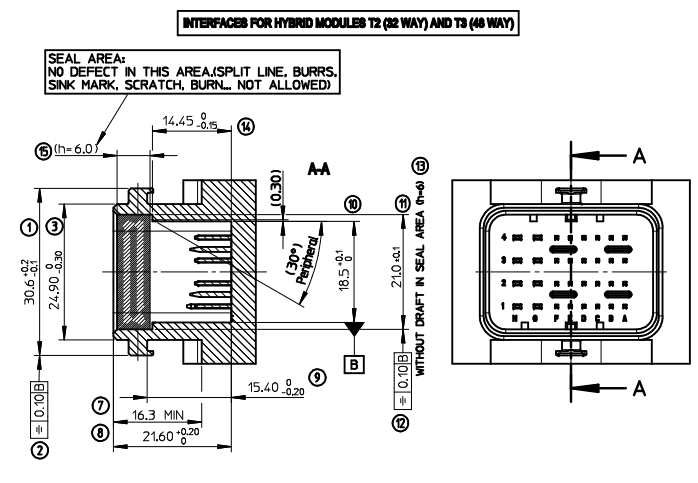
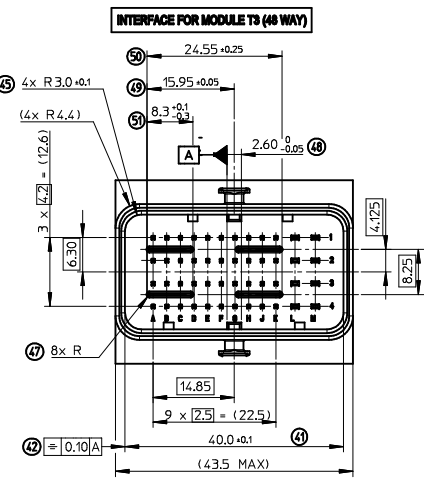
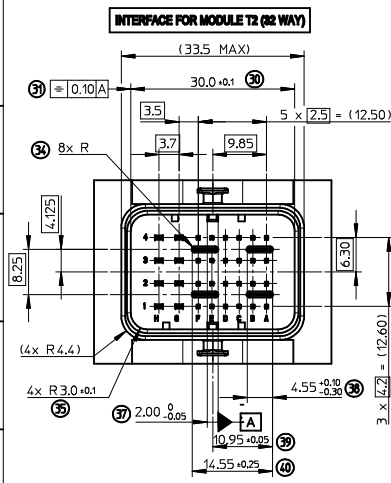


RECOMMENDED PCB LAYOUT (COMPONENT SIDE)
THICKNESS: 1.6±0.1mm



- NOTES:
1. THE VIEW "RECOMMENDED PCB LAYOUT" SHOWS THE SECTION OF THE HOLE POSITION CONCERNING THE HEADER-PIN, GUIDING AND LOCKING LAYOUT.
 2. THIS VIEW OF THE HOLE PATTERN DOESN'T POINT TO THE ABSOLUTE POSITION ON THE PCB.
 3. THE HOLE PATTERN IS COPY OF THE HEADER LAYOUT.
 4. PLEASE COMBINE THE TWO ELEMENTS (HEADER AND VIEW OF THE HOLE PATTERN) TO CREATE PCB LAYOUT.

| | | | | | | | | | |
|--|--------------------------------------|---------------------------------------|---------|--|--------------------|--|-------------------------------|--|--|
| ENTER DESCRIPTION EC NO: GCA2011-0026 DRWN: TLUO 2010/10/15 CHKD: JGIURIATO 2010/10/18 APPR: PBERG 2010/10/26 | QUALITY SYMBOLS ▽=0 ▽=0 ▽=0 | GENERAL TOLERANCES (UNLESS SPECIFIED) | | DIMENSION STYLE MM ONLY | | SCALE 2:1 | DESIGN UNITS METRIC | THIRD ANGLE PROJECTION | |
| | | 4 PLACES ± --- ± --- | mm INCH | DRAWN BY MBALZER | DATE 2008/08/04 | TITLE CMC HEADER 32CKT. ASSEMBLED SOLDER VERSION | | | |
| | | 3 PLACES ± --- ± --- | | CHECKED BY JGIURIATO | DATE 2008/08/05 | MOLEX INCORPORATED | | | |
| | | 2 PLACES ± --- ± --- | | APPROVED BY PBERG | DATE 2010/10/26 | MATERIAL NO. SEE SHEET 1 DOCUMENT NO. SD-64334-100 | | | |
| 1 PLACE ± --- ± --- | | ANGULAR ± ---° | | DRAFT WHERE APPLICABLE MUST REMAIN WITHIN DIMENSIONS | | SHEET NO. 2 OF 5 | | INCORPORATED AND SHOULD NOT BE USED WITHOUT WRITTEN PERMISSION | |



HEADERS CODINGS

(CODING 2 SHOWN)

| HEADERS CODINGS FOR MODULE T2 (32W) | | | | | |
|-------------------------------------|--------|--------|--------|--------|--------|
| COLOR | CODING | DIM. A | DIM. B | DIM. C | DIM. D |
| BLACK | 1 | 9.1 | 4.3 | 5.9 | 4.3 |
| GREY | 2 | 7.5 | 5.9 | 9.1 | 5.9 |
| BROWN | 3 | 5.9 | 7.5 | 9.1 | 9.1 |
| GREEN | 4 | 7.5 | 9.1 | 4.3 | 4.3 |
| BLUE | 5 | 4.3 | 7.5 | 5.9 | 5.9 |
| YELLOW | 6 | 9.1 | 7.5 | 4.3 | 7.5 |

(CODING 3 SHOWN)

| HEADERS CODINGS FOR MODULE T3 (48W) | | | | | |
|-------------------------------------|--------|--------|--------|--------|--------|
| COLOR | CODING | DIM. A | DIM. B | DIM. C | DIM. D |
| BLACK | 1 | 12.9 | 6.3 | 8.5 | 6.3 |
| GREY | 2 | 10.7 | 8.5 | 12.9 | 8.5 |
| BROWN | 3 | 8.5 | 10.7 | 12.9 | 12.9 |
| GREEN | 4 | 10.7 | 12.9 | 6.3 | 6.3 |
| BLUE | 5 | 6.3 | 10.7 | 8.5 | 8.5 |
| YELLOW | 6 | 12.9 | 10.7 | 6.3 | 10.7 |

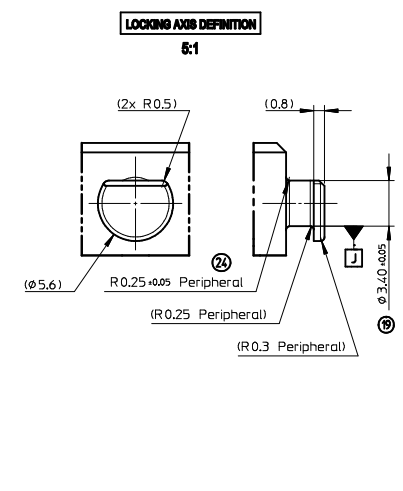
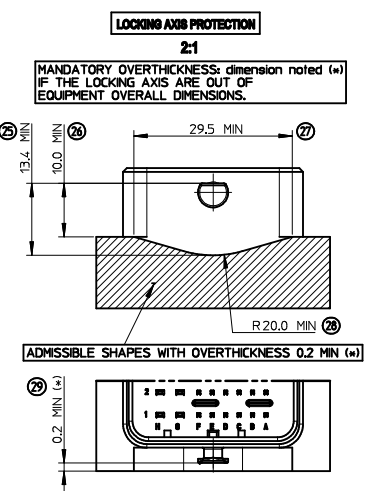
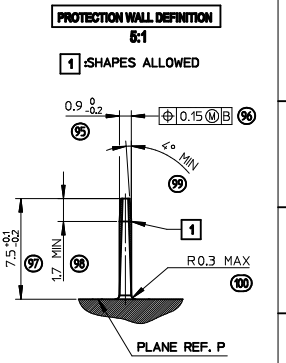
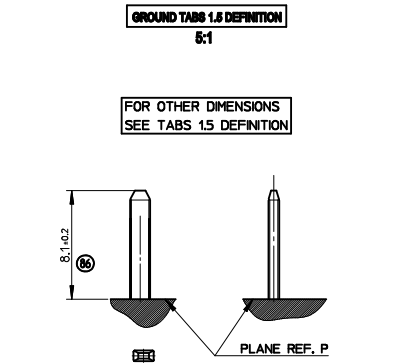
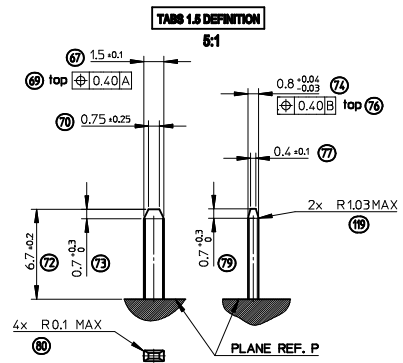
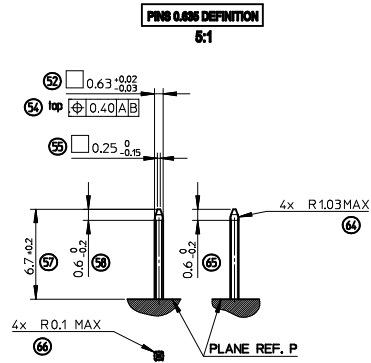
NOTE:
 1- INTERFACE DEFINITION BASED ON NFR13-462 STANDARD.
 2- HEADER ELASTICITY MODULUS: 8000Mpa min.
 (INITIAL CONDITION BEFORE AGEING)

fb_frame_A2_P_AM_T
 Rev. F 2009/06/18

| | | | |
|---|--|--------------------------------------|---|
| ENTER DESCRIPTION EC NO: 62010-0220 DRWN: WPECELE 2010/05/20 CHKD: J. GIURIATO 2008/10/03 APPR: PBERG 2010/10/26 | GENERAL TOLERANCES (UNLESS SPECIFIED) DIMENSION STYLE MM ONLY SCALE 2:1 DESIGN UNITS METRIC FIRST ANGLE PROJECTION | DRAWN BY G. DESBRUERES 2008/10/02 | TITLE INTERFACES FOR CONNECTOR 32 & 48 CKT CMC GENERIC SALES DRAWING |
| | | CHECKED BY J. GIURIATO 2008/10/03 | |
| REV B1 | DRAFT WHERE APPLICABLE MUST REMAIN WITHIN DIMENSIONS | APPROVED BY O. PLESSIS 2008/10/06 | MATERIAL NO. N/A DOCUMENT NO. SD-98644-006 SHEET NO. 1 OF 1 |
| | | APPROVED BY PBERG 2010/10/26 | |

| | | | |
|--|---|--------------------------------------|---|
| ENTER DESCRIPTION EC NO: 6432011-0026 DRWN: TL00 2010/10/15 CHKD: J. GIURIATO 2010/10/18 APPR: PBERG 2010/10/26 | QUALITY SYMBOLS GENERAL TOLERANCES (UNLESS SPECIFIED) DIMENSION STYLE MM ONLY SCALE 1:1 DESIGN UNITS METRIC THIRD ANGLE PROJECTION | DRAWN BY MBALZER 2008/08/04 | TITLE CMC HEADER 32CKT. ASSEMBLED SOLDER VERSION |
| | | CHECKED BY J. GIURIATO 2008/08/05 | |
| REV B1 | DRAFT WHERE APPLICABLE MUST REMAIN WITHIN DIMENSIONS | APPROVED BY PBERG 2010/10/26 | MATERIAL NO. SEE SHEET 1 DOCUMENT NO. SD-64334-100 SHEET NO. 3 OF 5 |
| | | APPROVED BY PBERG 2010/10/26 | |

fb_frame_A2_P_AM_T
 Rev. F 2009/06/18



| | | | | | | | |
|---|---------------------------------------|-------|-----------------|---------------|--------------|---|------------------------|
| ENTER DESCRIPTION EC NO: GZ00-0720 DRAWN BY: 2010/05/20 CHKD: J. GIURIATO 2008/10/03 APPR: PBERG 2010/07/29 | GENERAL TOLERANCES (UNLESS SPECIFIED) | | DIMENSION STYLE | | SCALE | DESIGN UNITS | FIRST ANGLE PROJECTION |
| | mm | INCH | MM ONLY | | 1:1 | METRIC | |
| | 4 PLACES | ± --- | ± --- | DRAWN BY | DATE | TITLE | |
| | 3 PLACES | ± --- | ± --- | G. DESBRUERES | 2008/10/02 | INTERFACES FOR CONNECTOR 32 & 48 CKT CMC GENERIC SALES DRAWING | |
| 2 PLACES | ± 0.10 | ± --- | CHECKED BY | DATE | APPROVED BY | | |
| 1 PLACE | ± 0.10 | ± --- | J. GIURIATO | 2008/10/03 | DATE | | |
| ANGULAR ± 2 ° | | ± --- | APPROVED BY | DATE | DOCUMENT NO. | | SHEET NO. |
| DRAFT WHERE APPLICABLE MUST REMAIN WITHIN DIMENSIONS | | ± --- | O. PLESSIS | 2008/10/06 | SD-98644-006 | | 2 OF 2 |
| | | ± --- | MATERIAL NO. | N/A | | MOLEX INCORPORATED | |
| | | ± --- | SIZE | A2 | | THIS DRAWING CONTAINS INFORMATION THAT IS PROPRIETARY TO MOLEX INCORPORATED AND SHOULD NOT BE USED WITHOUT WRITTEN PERMISSION | |

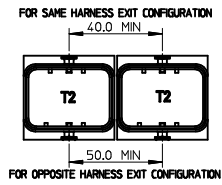
fb_frame_A2_P_AM_T
Rev. F 2009/06/18

| | | | | | | | | |
|--|--------------------------------------|---------------------------------------|--------------|-----------------|--------------|---|--|------------------------|
| ENTER DESCRIPTION EC NO: GCA2011-0026 DRAWN BY: 2010/10/15 CHKD: J. GIURIATO 2010/10/18 APPR: PBERG 2010/10/26 | QUALITY SYMBOLS ▽=0 ▽=0 ▽=0 | GENERAL TOLERANCES (UNLESS SPECIFIED) | | DIMENSION STYLE | | SCALE | DESIGN UNITS | THIRD ANGLE PROJECTION |
| | | mm | INCH | MM ONLY | | 2:1 | METRIC | |
| | | 4 PLACES | ± --- | ± --- | DRAWN BY | DATE | TITLE | |
| | | 3 PLACES | ± --- | ± --- | MBALZER | 2008/08/04 | CMC HEADER 32CKT. ASSEMBLED SOLDER VERSION | |
| 2 PLACES | ± --- | ± --- | CHECKED BY | DATE | APPROVED BY | | | |
| 1 PLACE | ± --- | ± --- | JGIURIATO | 2008/08/05 | DATE | | | |
| ANGULAR ± --- ° | | ± --- | APPROVED BY | DATE | DOCUMENT NO. | | SHEET NO. | |
| DRAFT WHERE APPLICABLE MUST REMAIN WITHIN DIMENSIONS | | ± --- | PBERG | 2010/10/26 | SEE SHEET 1 | | 4 OF 5 | |
| | | ± --- | MATERIAL NO. | SD-64334-100 | | MOLEX INCORPORATED | | |
| | | ± --- | SIZE | A2 | | THIS DRAWING CONTAINS INFORMATION THAT IS PROPRIETARY TO MOLEX INCORPORATED AND SHOULD NOT BE USED WITHOUT WRITTEN PERMISSION | | |

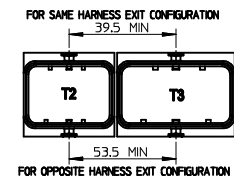
fb_frame_A2_P_AM_T
Rev. F 2009/06/18

CONNECTOR ON HEADER - OVERALL DIMENSIONS

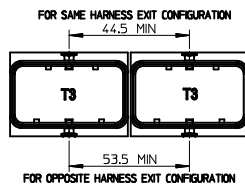
LAYOUT FOR TWO INTERFACES T2 (32W)



LAYOUT FOR TWO INTERFACES T2 (32W) AND T3 (48W)

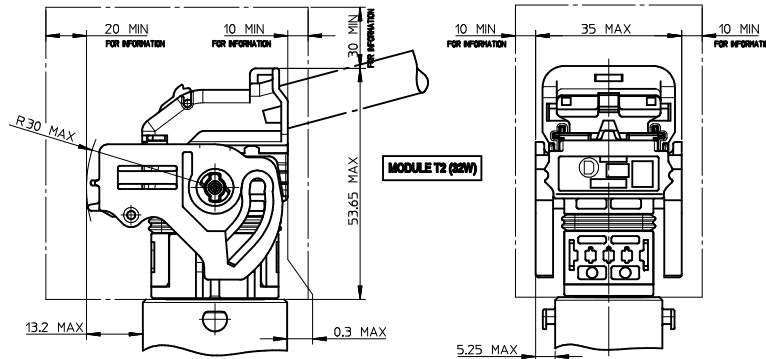


LAYOUT FOR TWO INTERFACES T3 (48W)

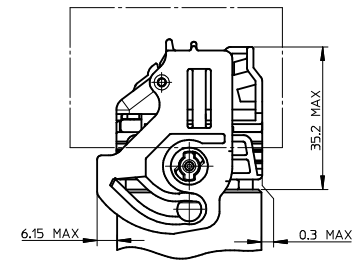


MULTI-HEADERS LAYOUT

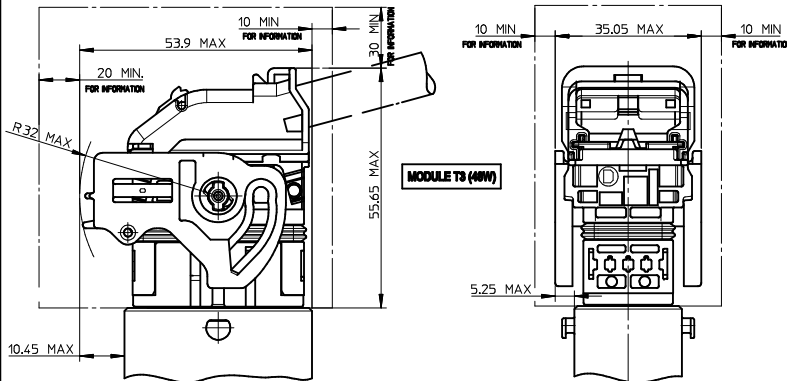
UNLOCKED CONNECTOR - OVERALL DIMENSIONS



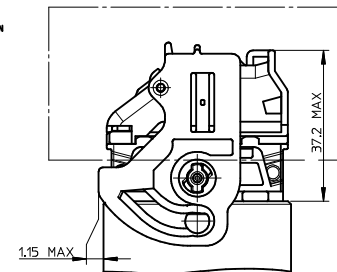
LOCKED CONNECTOR - OVERALL DIMENSIONS



UNLOCKED CONNECTOR - OVERALL DIMENSIONS

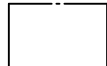


LOCKED CONNECTOR - OVERALL DIMENSIONS



NOTE:
1- T2 = 32 WAY / T3 = 48 WAY

LEGEND:



FREE VOLUME FOR MANUAL LOCKING AND UNLOCKING DIMENSIONS GIVEN FOR INFORMATION ONLY TO BE CONFIRMED BASED UPON VEHICLE CONFIGURATION.

fb_frame_A2_P_AM_F
Rev. F 2009/06/18

| ENTER DESCRIPTION | DATE | DESCRIPTION |
|-------------------|------------|-------------|
| EC NO: G2010-0220 | 2010/05/20 | |
| DRWN: PBECCHELE | 2010/05/20 | |
| CHKD: J. GIURIATO | 2008/10/03 | |
| APPR: PBERG | 2010/06/29 | |

GENERAL TOLERANCES (UNLESS SPECIFIED)

| | mm | INCH |
|----------------|--------|---------|
| 4 PLACES | ± 0.10 | ± 0.004 |
| 3 PLACES | ± 0.15 | ± 0.006 |
| 2 PLACES | ± 0.20 | ± 0.008 |
| 1 PLACE | ± 0.30 | ± 0.012 |
| ANGULAR ± 0.5° | | |

DIMENSION STYLE

MM ONLY

SCALE 1:1

DESIGN UNITS METRIC

FIRST ANGLE PROJECTION

TITLE

INTERFACES FOR CONNECTOR
32 & 48 CKT CMC
GENERIC SALES DRAWING

MOLEX INCORPORATED

SD-98644-006

3 OF 3

DRAFT WHERE APPLICABLE MUST REMAIN WITHIN DIMENSIONS

N/A

THIS DRAWING CONTAINS INFORMATION THAT IS PROPRIETARY TO MOLEX INCORPORATED AND SHOULD NOT BE USED WITHOUT WRITTEN PERMISSION

| ENTER DESCRIPTION | DATE | DESCRIPTION |
|---------------------|------------|-------------|
| EC NO: GCA2011-0026 | 2010/10/15 | |
| DRWN: TLIO | 2010/10/18 | |
| CHKD: J. GIURIATO | 2010/10/18 | |
| APPR: PBERG | 2010/10/26 | |

GENERAL TOLERANCES (UNLESS SPECIFIED)

| | mm | INCH |
|----------------|--------|---------|
| 4 PLACES | ± 0.10 | ± 0.004 |
| 3 PLACES | ± 0.15 | ± 0.006 |
| 2 PLACES | ± 0.20 | ± 0.008 |
| 1 PLACE | ± 0.30 | ± 0.012 |
| ANGULAR ± 0.5° | | |

DIMENSION STYLE

MM ONLY

SCALE 2:1

DESIGN UNITS METRIC

THIRD ANGLE PROJECTION

TITLE

CMC HEADER 32CKT.
ASSEMBLED
SOLDER VERSION

MOLEX INCORPORATED

SD-64334-100

5 OF 5

DRAFT WHERE APPLICABLE MUST REMAIN WITHIN DIMENSIONS

SEE SHEET 1

THIS DRAWING CONTAINS INFORMATION THAT IS PROPRIETARY TO MOLEX INCORPORATED AND SHOULD NOT BE USED WITHOUT WRITTEN PERMISSION

fb_frame_A2_P_AM_T
Rev. F 2009/06/18