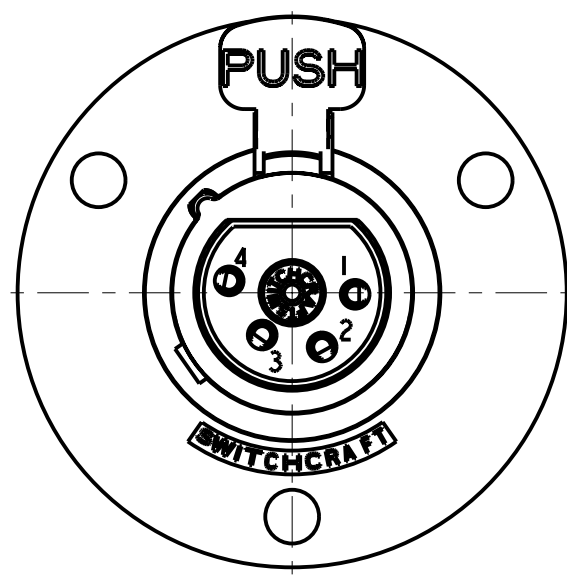
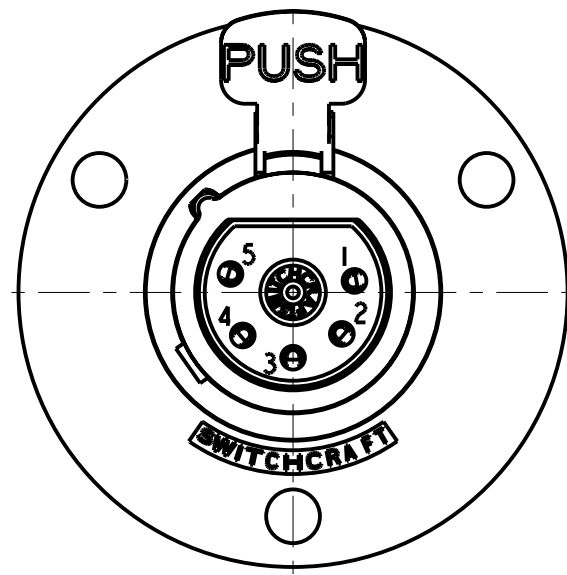


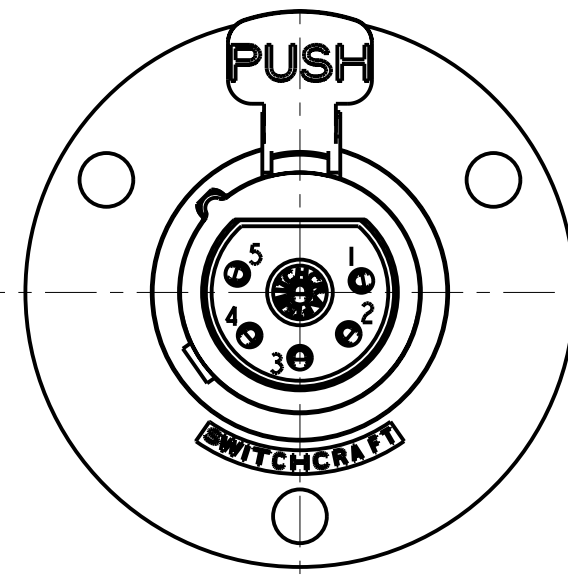
3 PIN



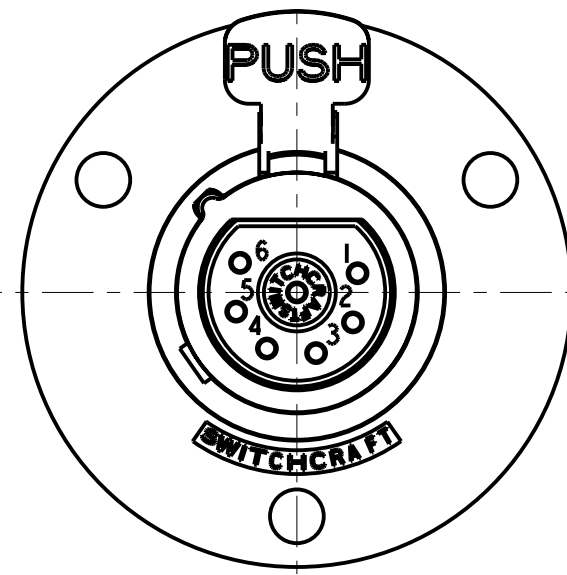
4 PIN



5 PIN



6 PIN



7 PIN

STANDARD PART NUMBERS						
PART NUMBERS	PART REV.	NUMBER OF CONTACTS	CONTACT FINISH	HOUSING FINISH	INSULATOR FINISH	LATCH FINISH
K C3F	L	3	SILVER	NICKEL	GREEN	NICKEL
M C3FBX	A	3	SILVER	BLACK	BLACK	NICKEL
C4F	K	4	SILVER	NICKEL	GREEN	NICKEL
C5F	K	5	SILVER	NICKEL	GREEN	NICKEL
L C5FAU	A	5	GOLD	NICKEL	GREEN	NICKEL
C5FS	E	5	SILVER	NICKEL, SANDED	GREEN	NICKEL
C6F	K	6	SILVER	NICKEL	GREEN	NICKEL
C7F	K	7	SILVER	NICKEL	GREEN	NICKEL
OGP326	M	3	GOLD	CHROME	GREEN	NICKEL

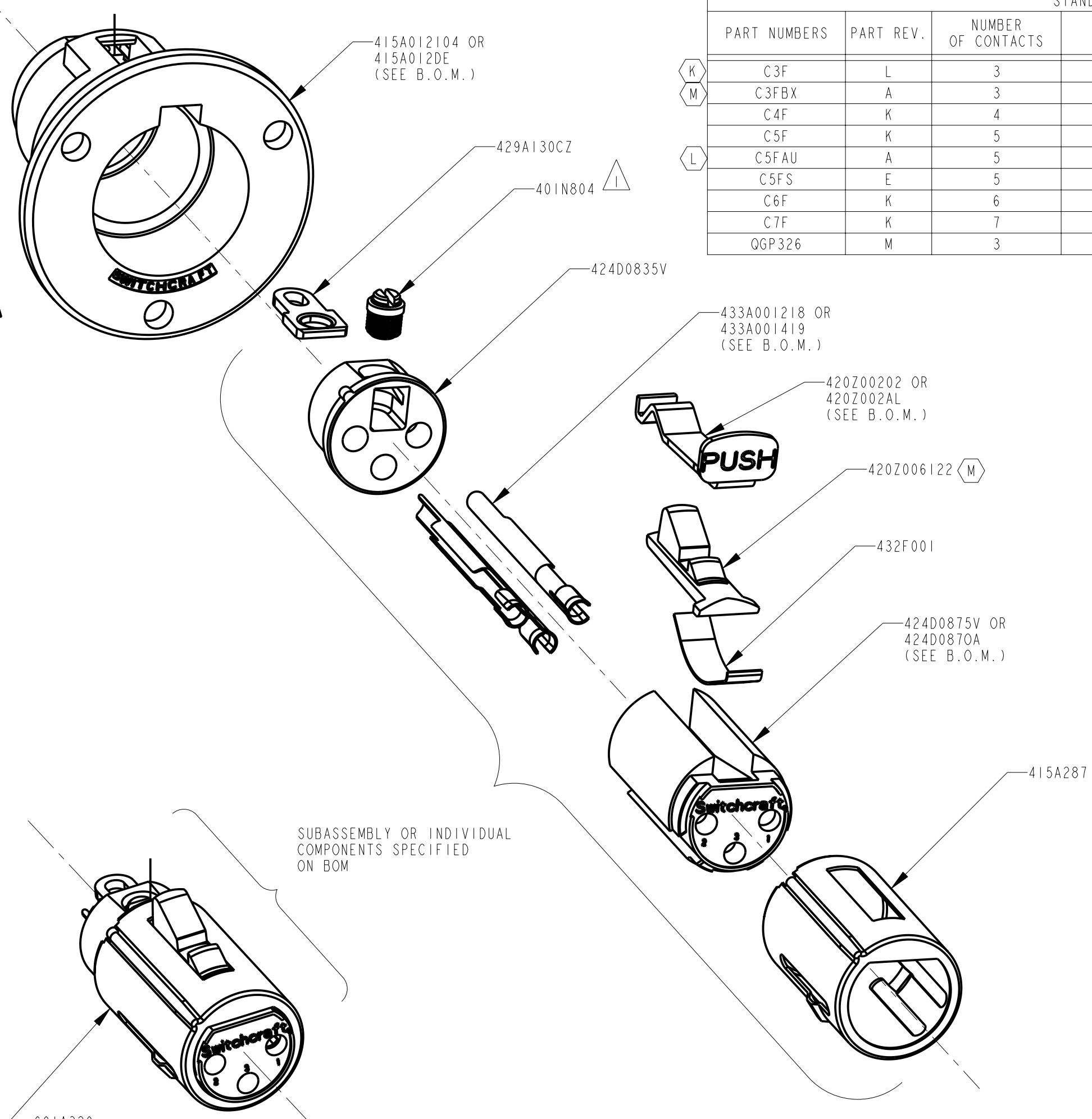
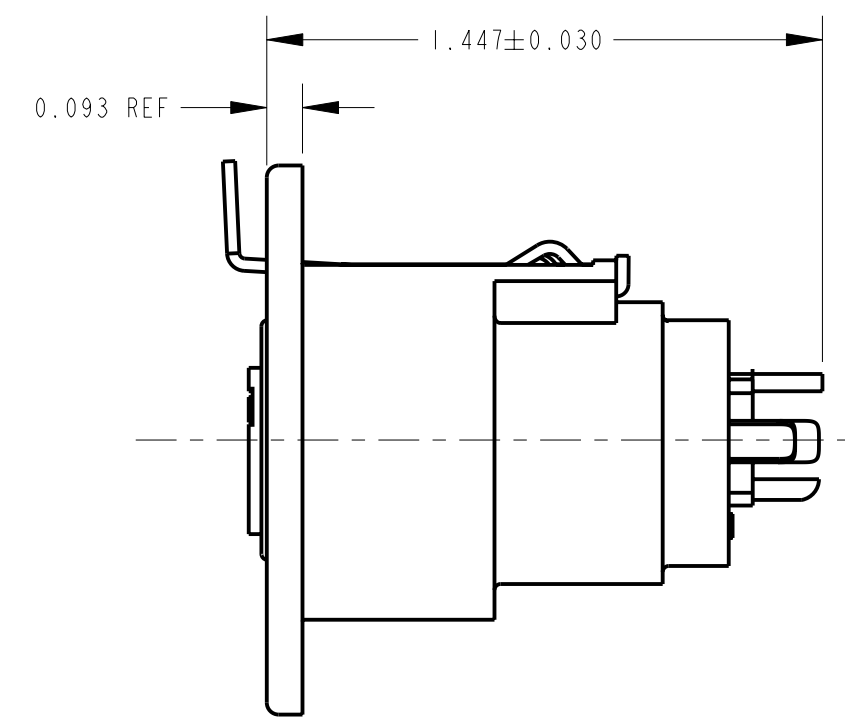
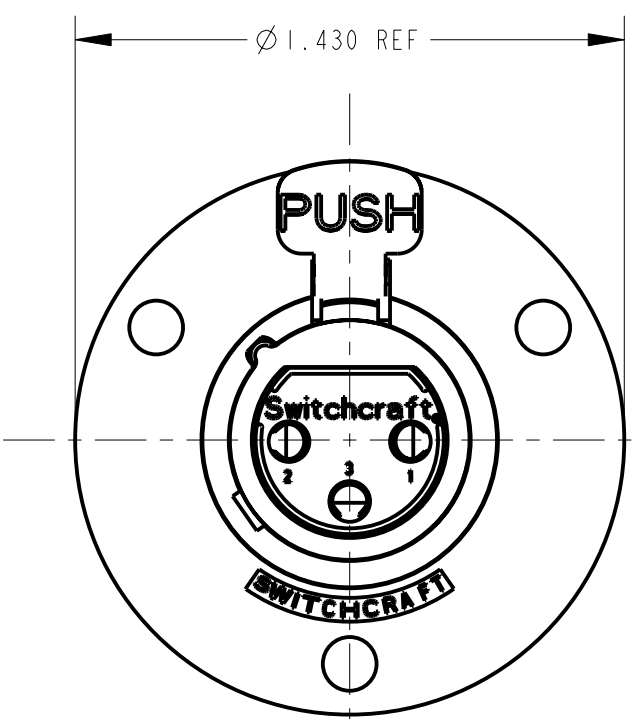


FIGURE: 2  
SUBASSEMBLY VERSION

FIGURE: 1  
INDIVIDUAL COMPONENTS VERSION

NOTES:

- BACK SCREW, (#401N804) OUT INTO HOUSING, (# 415A012104) TO ADJUST COMPLETELY. REMOVAL TORQUE OF SET SCREW 3 IN./LBS. MIN. RETROCEDA ESTA TORNILLO SER AJUSTADO COMPLETAMENTE.
- STAKE HOUSING, (# 415A287) OVER (# 424D0835V) USING STAKING TOOL PD-ST 1324. INSPECT FRONT AND REAR OF HOUSING WITH M-880 AFTER STAKING. 14 LBS MIN. INSERT PUSH-OUT FORCE.
- THIS PRODUCT IS RoHS COMPLIANT



☆ STAR SYMBOL DENOTES CRITICAL DIMENSION UNLESS OTHERWISE SPECIFIED 1. ALL DIMENSIONS IN INCHES - TWO PLACE DECIMALS ±0.01 - THREE PLACE DECIMALS ±0.005 - ANGLES ±1° - ALL DIA. CONCENTRIC WITHIN 0.005 T.I.R. 2. FEATURES ON THE SAME CENTERLINE MUST BE ALIGNED WITHIN ±0.002 3. REMOVE ALL BURRS DO NOT SCALE DRAWING					THIS DRAWING DESCRIBES A DESIGN CONSIDERED PROPRIETARY IN NATURE, DEVELOPED AND MANUFACTURED BY SWITCHCRAFT INC. AND IS RELEASED ON A CONFIDENTIAL BASIS FOR IDENTIFICATION PURPOSES ONLY.				
SIZE		WIDTH		MULT		LBS/M		TEMPER	
FINISH SPEC No.						MATERIAL SPEC No.			
FIRST USED ON						SCALE 2:1			
DATE DRAWN	BY	CHKD	APVD	Switchcraft®					
12-11-93	SG	AA	GHJ	SHEET 1 OF 1					
NAME			PART No.			REV			
C SERIES FEMALE OG, RoHS			C_F SERIES			M			
REVISIONS									
REV	ECO NUMBER	DATE	BY	APVD					
M	26158	10-4-06	TO	TJK					
L	23566	10-26-00	RJ	DK					
K	22895	9-20-99	DA	RB					