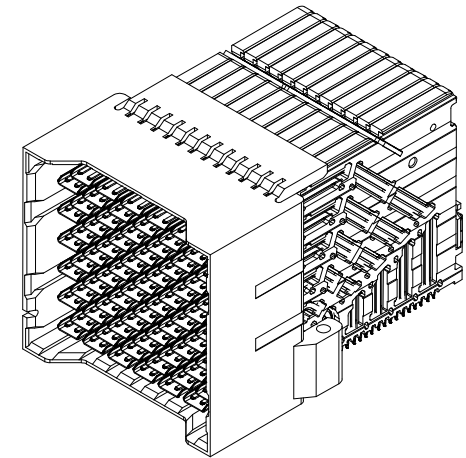
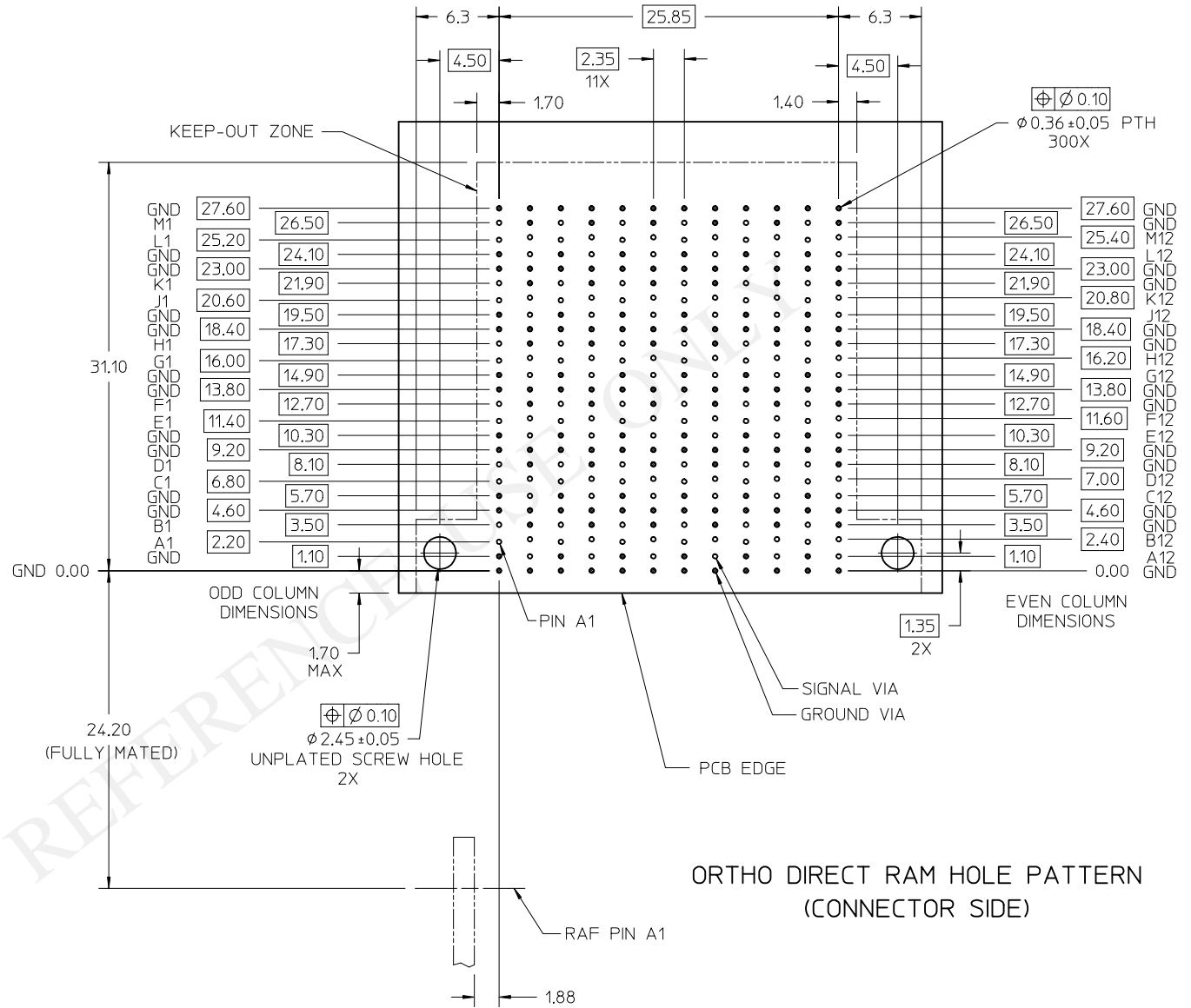
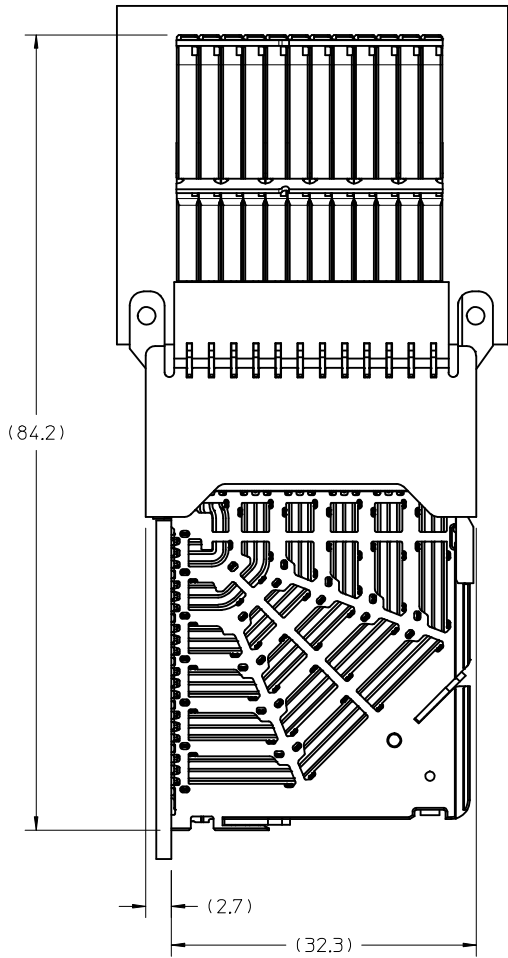


- NOTES:
1. MATERIALS: HOUSING - LIQUID CRYSTAL POLYMER (LCP)
GLASS-FILLED, UL94V-0
TERMINALS - HIGH PERFORMANCE COPPER ALLOY
 2. FINISH: 30µIN GOLD IN CONTACT AREA.
SELECTIVE TIN ON PCB TAILS.
NICKEL OVERALL.
 3. REFER TO MOLEX PRODUCT SPECIFICATION PS-171320-999 FOR PERFORMANCE SPECIFICATIONS.
 4. THIS PART CONFORMS TO CLASS B REQUIREMENTS OF COSMETIC SPEC PS-45499-002.
 5. PRODUCT WILL BE PACKAGED PER PK-78888-309.
 6. SEE SHEETS 2 AND 3 FOR PCB LAYOUT AND ORTHOGONAL PIN MAPPING.
 7. MATES WITH IMPEL ORTHO DAUGHTERCARD SERIES NUMBER 171500 (UNGUIDED).
 8. REFER TO IMPEL PCB ROUTING GUIDE AS-171500-990 FOR ANTIPAD, ROUTING RECOMMENDATIONS, AND ADDITIONAL PCB INFORMATION.
 9. CONNECTORS ARE SUPPLIED WITH TWO 2-32 THREAD FORMING SCREWS.



| | | | | | | | | | |
|--|--|--|---------|---------------------------------------|---------------------------------------|---|---|--|--|
| REVISED HOUSING EC NO: UCP2014-2934 DRWN: JLAURX 2014/01/16 CHKD: JLAURX APPR: JLAURX 2014/01/16 | QUALITY SYMBOLS ▽ = 0 ▽ = 0 ▽ = 0 | GENERAL TOLERANCES (UNLESS SPECIFIED) | | DIMENSION STYLE MM ONLY | SCALE 3:1 | DESIGN UNITS METRIC | THIRD ANGLE PROJECTION | | |
| | | 4 PLACES ± --- ± --- 3 PLACES ± --- ± --- 2 PLACES ± 0.13 ± --- 1 PLACE ± 0.25 ± --- 0 PLACE ± --- ± --- | mm INCH | DRAWN BY DATE JLAURX 2012/12/06 | CHECKED BY DATE | TITLE IMPEL ORTHOGONAL DIRECT 6 PAIR X 12 COLUMN RAM UNGUIDED SALES DRAWING | | | |
| | | ANGULAR ±1/2° | | APPROVED BY DATE JLAURX 2013/01/02 | DOCUMENT NO. SD-171740-0001 | | | | |
| | | DRAFT WHERE APPLICABLE MUST REMAIN WITHIN DIMENSIONS | | MATERIAL NO. SEE CHART | SHEET NO. 1 OF 3 | | THIS DRAWING CONTAINS INFORMATION THAT IS PROPRIETARY TO MOLEX INCORPORATED AND SHOULD NOT BE USED WITHOUT WRITTEN PERMISSION | | |



MATED DIMENSIONS

ORTHO DIRECT RAM HOLE PATTERN
(CONNECTOR SIDE)

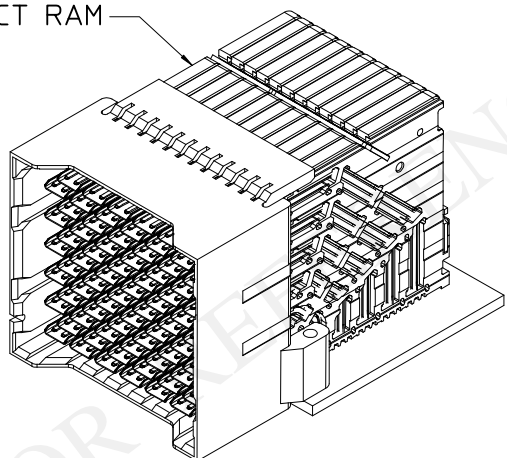
| | | | | | | |
|---|--------------------|--|----------------------------|---|------------------------|--|
| SEE SHEET 1 EC NO: UCP2014-2934 DRWN: JLAURX 2014/01/16 CHKD: APPR: JLAURX 2014/01/16 REV: | QUALITY SYMBOLS | GENERAL TOLERANCES (UNLESS SPECIFIED) | DIMENSION STYLE MM ONLY | SCALE 4:1 | DESIGN UNITS METRIC | THIRD ANGLE PROJECTION |
| | $\nabla = 0$ | 4 PLACES \pm --- | mm INCH | DRAWN BY JLAURX | DATE 2012/12/06 | TITLE IMPEL ORTHOGONAL DIRECT 6 PAIR X 12 COLUMN RAM UNGUIDED SALES DRAWING |
| | $\nabla = 0$ | 3 PLACES \pm --- | | CHECKED BY | DATE | molex DOCUMENT NO. SD-171740-0001 SHEET NO. 2 OF 3 |
| | $\nabla = 0$ | 2 PLACES ± 0.13 | | APPROVED BY JLAURX | DATE 2013/01/02 | |
| | 1 PLACE ± 0.25 | ANGULAR $\pm 1/2^\circ$ | MATERIAL NO. | SEE CHART | | |
| | 0 PLACE \pm --- | DRAFT WHERE APPLICABLE MUST REMAIN WITHIN DIMENSIONS | SIZE C | THIS DRAWING CONTAINS INFORMATION THAT IS PROPRIETARY TO MOLEX INCORPORATED AND SHOULD NOT BE USED WITHOUT WRITTEN PERMISSION | | |

ORTHO PIN MAPPING

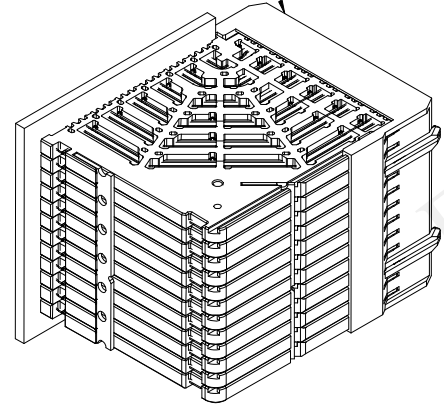
(RAF - OD RAM)

| | | | | | | | | | | | |
|--------|--------|--------|--------|--------|--------|--------|--------|--------|---------|---------|---------|
| M1-A11 | M2-B12 | M3-C11 | M4-D12 | M5-E11 | M6-F12 | M7-G11 | M8-H12 | M9-J11 | M10-K12 | M11-L11 | M12-M12 |
| L1-B11 | L2-A12 | L3-D11 | L4-C12 | L5-F11 | L6-E12 | L7-H11 | L8-G12 | L9-K11 | L10-J12 | L11-M11 | L12-L12 |
| K1-A9 | K2-B10 | K3-C9 | K4-D10 | K5-E9 | K6-F10 | K7-G9 | K8-H10 | K9-J9 | K10-K10 | K11-L9 | K12-M10 |
| J1-B9 | J2-A10 | J3-D9 | J4-C10 | J5-F9 | J6-E10 | J7-H9 | J8-G10 | J9-K9 | J10-J10 | J11-M9 | J12-L10 |
| H1-A7 | H2-B8 | H3-C7 | H4-D8 | H5-E7 | H6-F8 | H7-G7 | H8-H8 | H9-J7 | H10-K8 | H11-L7 | H12-M8 |
| G1-B7 | G2-A8 | G3-D7 | G4-C8 | G5-F7 | G6-E8 | G7-H7 | G8-G8 | G9-K7 | G10-J8 | G11-M7 | G12-L8 |
| F1-A5 | F2-B6 | F3-C5 | F4-D6 | F5-E5 | F6-F6 | F7-G5 | F8-H6 | F9-J5 | F10-K6 | F11-L5 | F12-M6 |
| E1-B5 | E2-A6 | E3-D5 | E4-C6 | E5-F5 | E6-E6 | E7-H5 | E8-G6 | E9-K5 | E10-J6 | E11-M5 | E12-L6 |
| D1-A3 | D2-B4 | D3-C3 | D4-D4 | D5-E3 | D6-F4 | D7-G3 | D8-H4 | D9-J3 | D10-K4 | D11-L3 | D12-M4 |
| C1-B3 | C2-A4 | C3-D3 | C4-C4 | C5-F3 | C6-E4 | C7-H3 | C8-G4 | C9-K3 | C10-J4 | C11-M3 | C12-L4 |
| B1-A1 | B2-B2 | B3-C1 | B4-D2 | B5-E1 | B6-F2 | B7-G1 | B8-H2 | B9-J1 | B10-K2 | B11-L1 | B12-M2 |
| A1-B1 | A2-A2 | A3-D1 | A4-C2 | A5-F1 | A6-E2 | A7-H1 | A8-G2 | A9-K1 | A10-J2 | A11-M1 | A12-L2 |

ORTHO DIRECT RAM



ORTHO RAF



| MATERIAL NUMBER | NUMBER OF COLUMNS | NUMBER OF DIFF PAIR | DIM "P" |
|-----------------|-------------------|---------------------|---------|
| 171740-1207 | 12 | 72 | 4.90 |
| 171740-1208 | 12 | 72 | 5.50 |

171740-120*

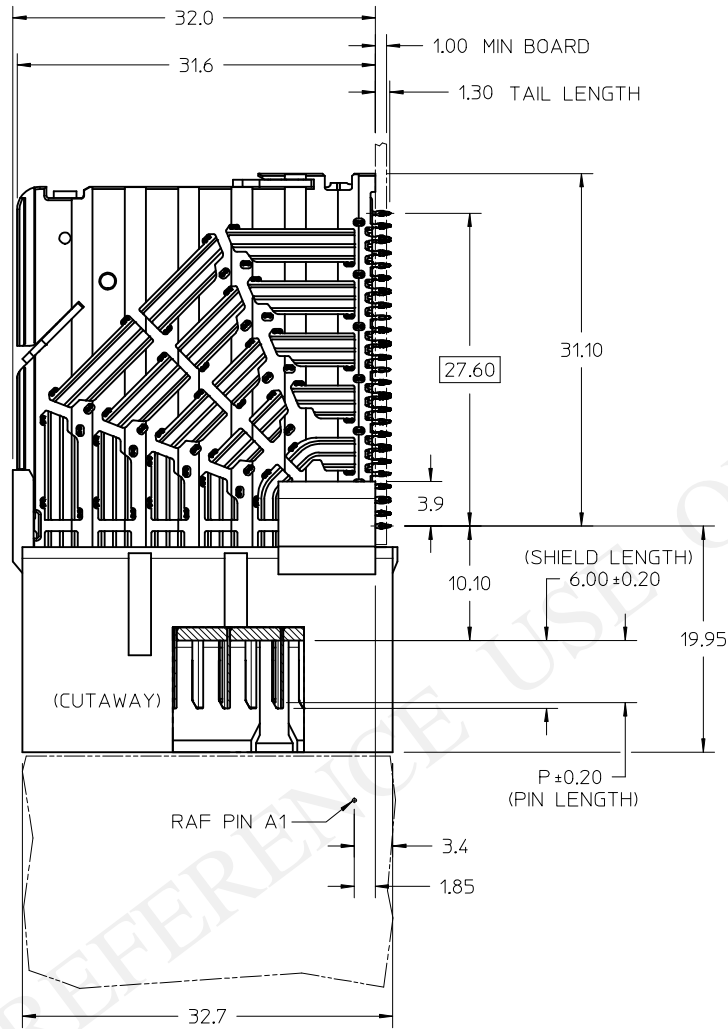
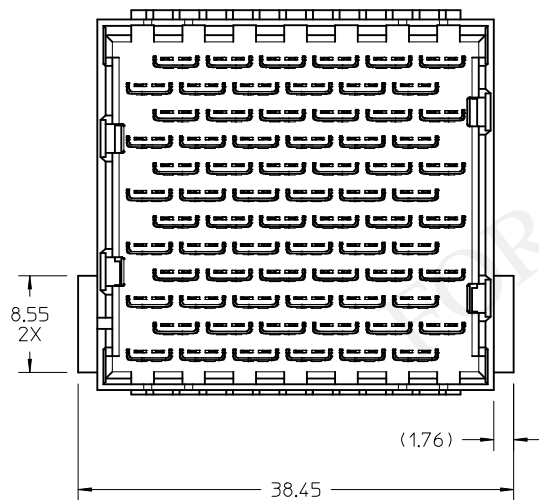
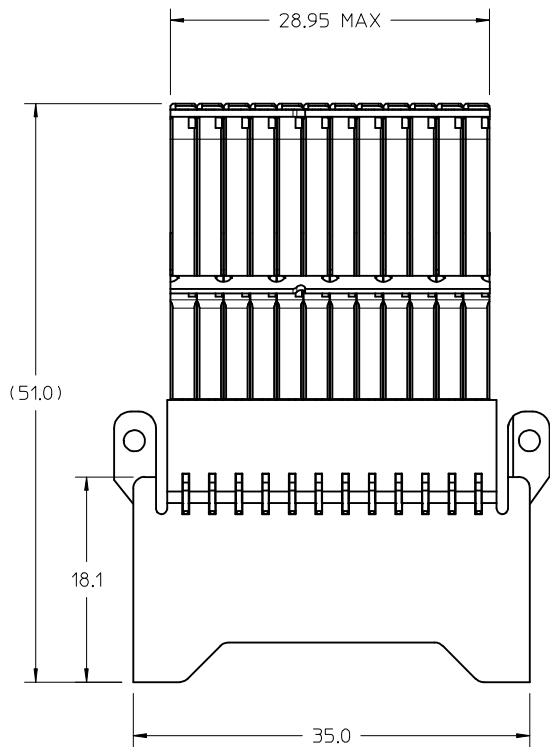
MODULE TYPE
1 = UNGUIDED

COLUMN SIZE
2 = 12 COLUMN

PIN LENGTH (P)
7 = 4.90
8 = 5.50

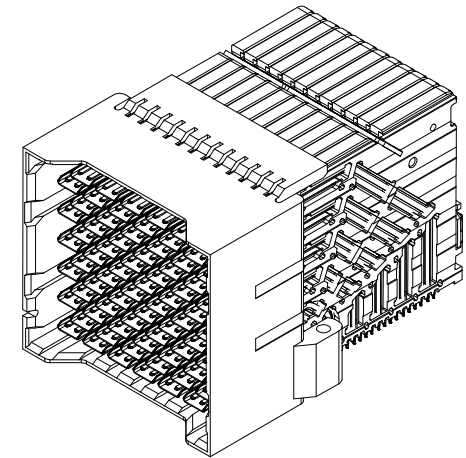
CONNECTORS ARE DESIGNED TO MATE IN THE ORIENTATION AS SHOWN.
(THIS IS CONSISTENT WITH THE 270° ORIENTATION OF THE ORTHO MIDPLANE SYSTEM, BUT THE ORTHOGONAL PINMAP IS DIFFERENT.)

| | | | | | | |
|---|-----------------------|--|-----------------------------------|----------------------------------|---|---------------------------------------|
| SEE SHEET 1 EC NO: UCP2014-2934 DRWN: LAURX 2014/01/16 CHKD: APPR: LAURX 2014/01/16 REY: | QUALITY SYMBOLS | GENERAL TOLERANCES (UNLESS SPECIFIED) | DIMENSION STYLE MM ONLY | SCALE 2:1 | DESIGN UNITS METRIC | THIRD ANGLE PROJECTION |
| | ▽ = 0 | mm INCH | DRAWN BY JLAURX | DATE 2012/12/06 | TITLE IMPEL ORTHOGONAL DIRECT 6 PAIR X 12 COLUMN RAM UNGUIDED SALES DRAWING | |
| | ▽ = 0 | 4 PLACES ± --- ± --- | CHECKED BY | DATE | APPROVED BY JLAURX | |
| | ▽ = 0 | 3 PLACES ± --- ± --- | DATE 2013/01/02 | | DATE 2013/01/02 | |
| | 2 PLACES ± 0.13 ± --- | ANGULAR ±1/2° | | MATERIAL NO. SEE CHART | | DOCUMENT NO. SD-171740-0001 |
| | 1 PLACE ± 0.25 ± --- | DRAFT WHERE APPLICABLE MUST REMAIN WITHIN DIMENSIONS | | SIZE C | | SHEET NO. 3 OF 3 |
| | 0 PLACE ± --- ± --- | THIS DRAWING CONTAINS INFORMATION THAT IS PROPRIETARY TO MOLEX. INCORPORATED AND SHOULD NOT BE USED WITHOUT WRITTEN PERMISSION | | | | |

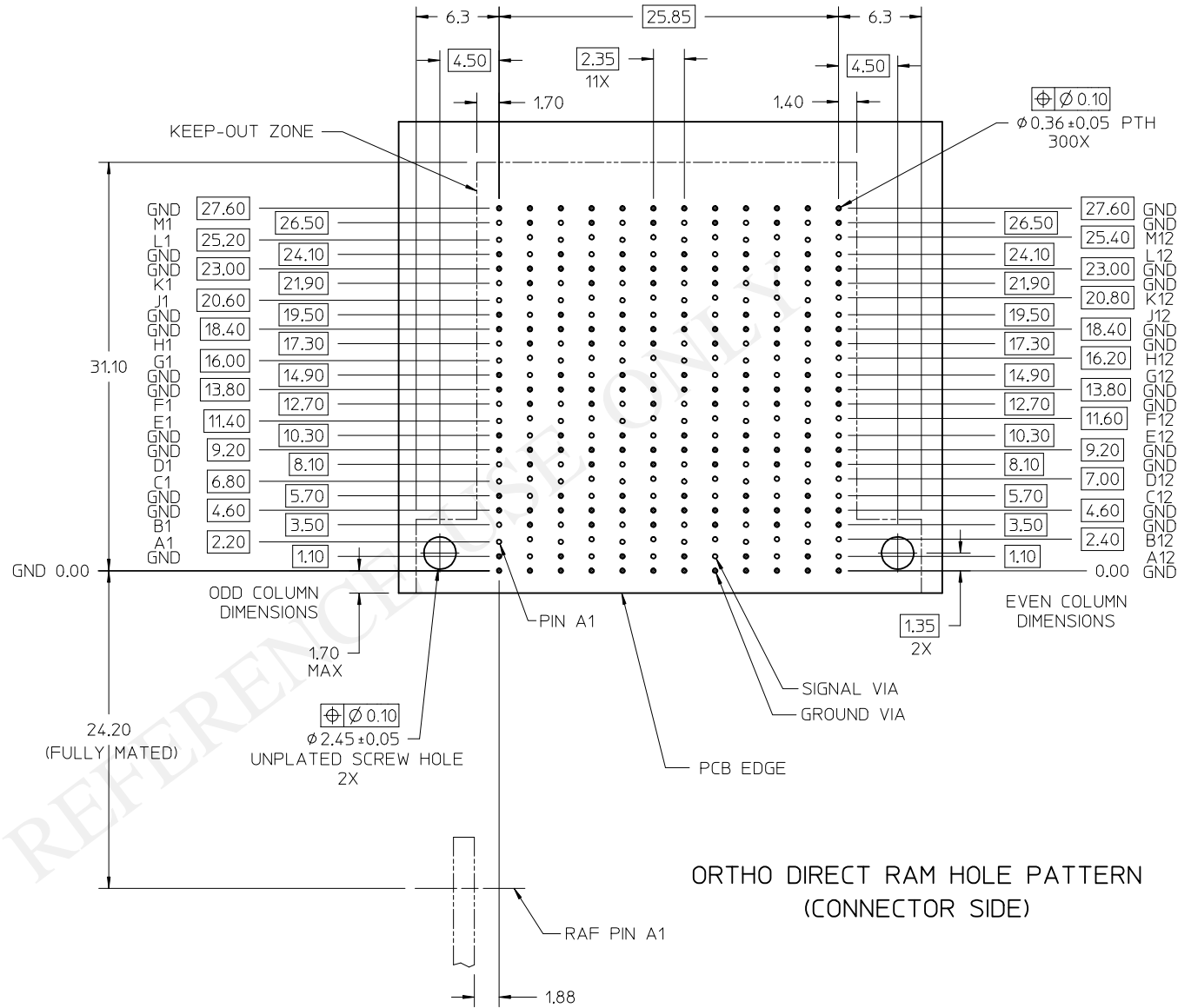
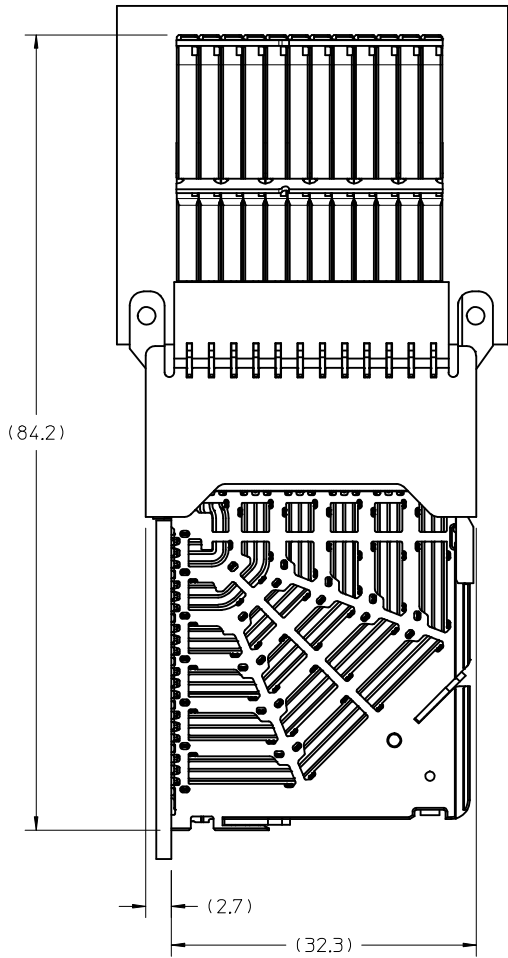


NOTES:

1. MATERIALS: HOUSING - LIQUID CRYSTAL POLYMER (LCP)
GLASS-FILLED, UL94V-0
TERMINALS - HIGH PERFORMANCE COPPER ALLOY
2. FINISH: 30µIN GOLD IN CONTACT AREA.
SELECTIVE TIN ON PCB TAILS.
NICKEL OVERALL.
3. REFER TO MOLEX PRODUCT SPECIFICATION PS-171320-999 FOR PERFORMANCE SPECIFICATIONS.
4. THIS PART CONFORMS TO CLASS B REQUIREMENTS OF COSMETIC SPEC PS-45499-002.
5. PRODUCT WILL BE PACKAGED PER PK-78888-309.
6. SEE SHEETS 2 AND 3 FOR PCB LAYOUT AND ORTHOGONAL PIN MAPPING.
7. MATES WITH IMPEL ORTHO DAUGHTERCARD SERIES NUMBER 171500 (UNGUIDED).
8. REFER TO IMPEL PCB ROUTING GUIDE AS-171500-990 FOR ANTIPAD, ROUTING RECOMMENDATIONS, AND ADDITIONAL PCB INFORMATION.
9. CONNECTORS ARE SUPPLIED WITH TWO 2-32 THREAD FORMING SCREWS.



| | | | | | | |
|--|-----------------|--|--------------------|---|--------------|------------------------|
| PROPOSED EC NO: UCP2016-2719 DRWN:DWLEE01 2016/01/11 CHKD: APPR:DWLEE01 2016/01/11 REV: | QUALITY SYMBOLS | GENERAL TOLERANCES (UNLESS SPECIFIED) | DIMENSION STYLE | SCALE | DESIGN UNITS | THIRD ANGLE PROJECTION |
| | ▽ = 0 | mm INCH | MM ONLY | 3:1 | METRIC | |
| | ▽ = 0 | 4 PLACES ± --- ± --- | DRAWN BY DATE | TITLE | | |
| | ▽ = 0 | 3 PLACES ± --- ± --- | CHECKED BY DATE | IMPEL ORTHOGONAL DIRECT 6 PAIR X 12 COLUMN RAM UNGUIDED SALES DRAWING | | |
| | | 2 PLACES ± 0.13 ± --- | APPROVED BY DATE | DOCUMENT NO. | | |
| | | 1 PLACE ± 0.25 ± --- | DWLEE01 2016/01/11 | SD-171740-9003 | | |
| | | 0 PLACE ± --- ± --- | MATERIAL NO. | SHEET NO. | | |
| | | ANGULAR ±1/2° | SEE CHART | 1 OF 3 | | |
| | | DRAFT WHERE APPLICABLE MUST REMAIN WITHIN DIMENSIONS | SIZE C | THIS DRAWING CONTAINS INFORMATION THAT IS PROPRIETARY TO MOLEX INCORPORATED AND SHOULD NOT BE USED WITHOUT WRITTEN PERMISSION | | |



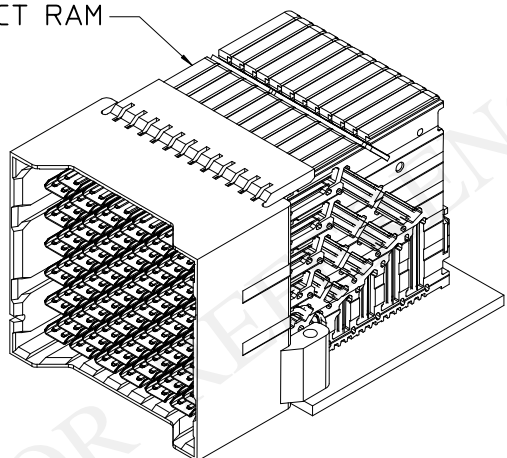
| | | | | | | |
|--|-------------------------------|---------------------------------------|---|---|--------------|------------------------|
| SEE SHEET 1 EC NO: UCP2016-2719 DRWING: DWLEE01 2016/01/11 CHKD: APPR: DWLEE01 2016/01/11 REV: 1 | QUALITY SYMBOLS | GENERAL TOLERANCES (UNLESS SPECIFIED) | DIMENSION STYLE | SCALE | DESIGN UNITS | THIRD ANGLE PROJECTION |
| | $\nabla = 0$ | mm INCH | MM ONLY | 4:1 | METRIC | |
| | $\nabla = 0$ | 4 PLACES \pm --- \pm --- | DRAWN BY DATE | TITLE | | |
| | $\nabla = 0$ | 3 PLACES \pm --- \pm --- | DWLEE01 2016/01/11 | IMPEL ORTHOGONAL DIRECT 6 PAIR X 12 COLUMN RAM UNGUIDED SALES DRAWING | | |
| | 2 PLACES ± 0.13 \pm --- | CHECKED BY DATE | molex DOCUMENT NO. SD-171740-9003 SHEET NO. 2 OF 3 | | | |
| | 1 PLACE ± 0.25 \pm --- | APPROVED BY DATE | | | | |
| | 0 PLACE \pm --- \pm --- | DWLEE01 2016/01/11 | MATERIAL NO. SEE CHART DRAFT WHERE APPLICABLE MUST REMAIN WITHIN DIMENSIONS | | | |
| | | | THIS DRAWING CONTAINS INFORMATION THAT IS PROPRIETARY TO MOLEX INCORPORATED AND SHOULD NOT BE USED WITHOUT WRITTEN PERMISSION | | | |

ORTHO PIN MAPPING

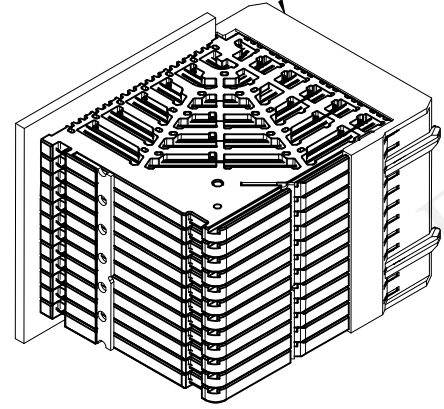
(RAF - OD RAM)

| | | | | | | | | | | | |
|--------|--------|--------|--------|--------|--------|--------|--------|--------|---------|---------|---------|
| M1-A11 | M2-B12 | M3-C11 | M4-D12 | M5-E11 | M6-F12 | M7-G11 | M8-H12 | M9-J11 | M10-K12 | M11-L11 | M12-M12 |
| L1-B11 | L2-A12 | L3-D11 | L4-C12 | L5-F11 | L6-E12 | L7-H11 | L8-G12 | L9-K11 | L10-J12 | L11-M11 | L12-L12 |
| K1-A9 | K2-B10 | K3-C9 | K4-D10 | K5-E9 | K6-F10 | K7-G9 | K8-H10 | K9-J9 | K10-K10 | K11-L9 | K12-M10 |
| J1-B9 | J2-A10 | J3-D9 | J4-C10 | J5-F9 | J6-E10 | J7-H9 | J8-G10 | J9-K9 | J10-J10 | J11-M9 | J12-L10 |
| H1-A7 | H2-B8 | H3-C7 | H4-D8 | H5-E7 | H6-F8 | H7-G7 | H8-H8 | H9-J7 | H10-K8 | H11-L7 | H12-M8 |
| G1-B7 | G2-A8 | G3-D7 | G4-C8 | G5-F7 | G6-E8 | G7-H7 | G8-G8 | G9-K7 | G10-J8 | G11-M7 | G12-L8 |
| F1-A5 | F2-B6 | F3-C5 | F4-D6 | F5-E5 | F6-F6 | F7-G5 | F8-H6 | F9-J5 | F10-K6 | F11-L5 | F12-M6 |
| E1-B5 | E2-A6 | E3-D5 | E4-C6 | E5-F5 | E6-E6 | E7-H5 | E8-G6 | E9-K5 | E10-J6 | E11-M5 | E12-L6 |
| D1-A3 | D2-B4 | D3-C3 | D4-D4 | D5-E3 | D6-F4 | D7-G3 | D8-H4 | D9-J3 | D10-K4 | D11-L3 | D12-M4 |
| C1-B3 | C2-A4 | C3-D3 | C4-C4 | C5-F3 | C6-E4 | C7-H3 | C8-G4 | C9-K3 | C10-J4 | C11-M3 | C12-L4 |
| B1-A1 | B2-B2 | B3-C1 | B4-D2 | B5-E1 | B6-F2 | B7-G1 | B8-H2 | B9-J1 | B10-K2 | B11-L1 | B12-M2 |
| A1-B1 | A2-A2 | A3-D1 | A4-C2 | A5-F1 | A6-E2 | A7-H1 | A8-G2 | A9-K1 | A10-J2 | A11-M1 | A12-L2 |

ORTHO DIRECT RAM



ORTHO RAF



CONNECTORS ARE DESIGNED TO MATE IN THE ORIENTATION AS SHOWN.
(THIS IS CONSISTENT WITH THE 270° ORIENTATION OF THE ORTHO
MIDPLANE SYSTEM, BUT THE ORTHOGONAL PINMAP IS DIFFERENT.)

| MATERIAL NUMBER | NUMBER OF COLUMNS | NUMBER OF DIFF PAIR | DIM "P" |
|-----------------|-------------------|---------------------|---------|
| 171740-9207 | 12 | 72 | 4.90 |
| 171740-9208 | 12 | 72 | 5.50 |

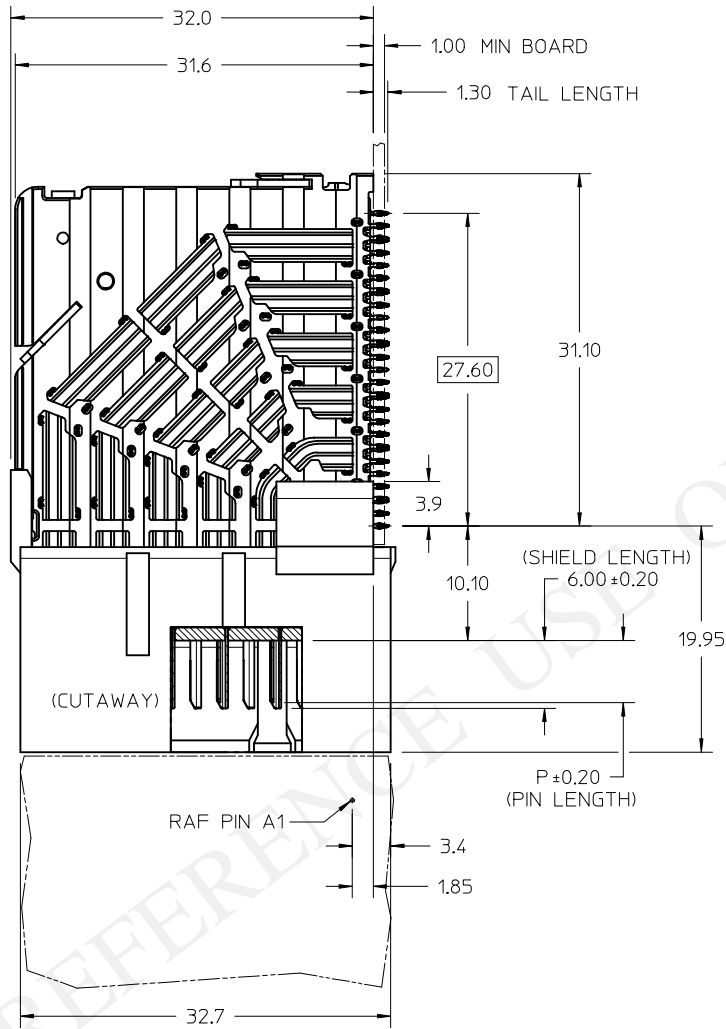
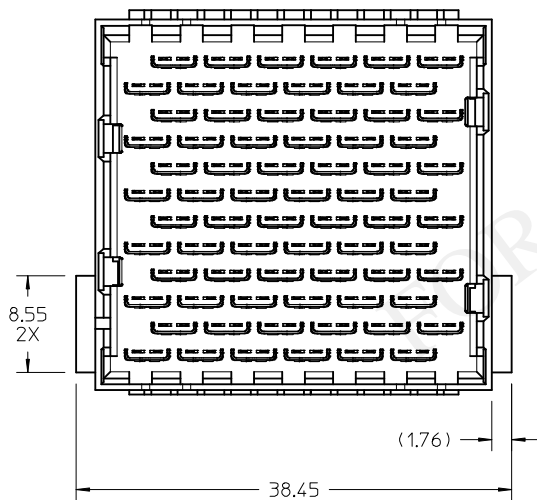
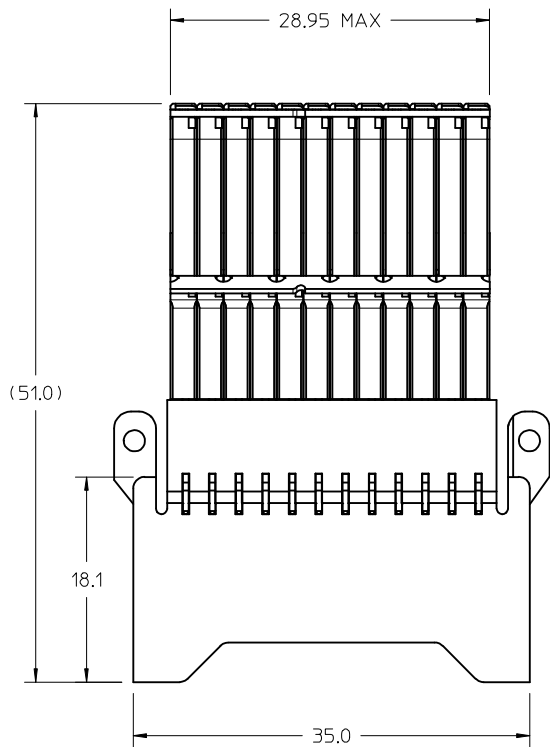
171740-920*

COLUMN SIZE
2 = 12 COLUMN

PIN LENGTH (P)
7 = 4.90
8 = 5.50

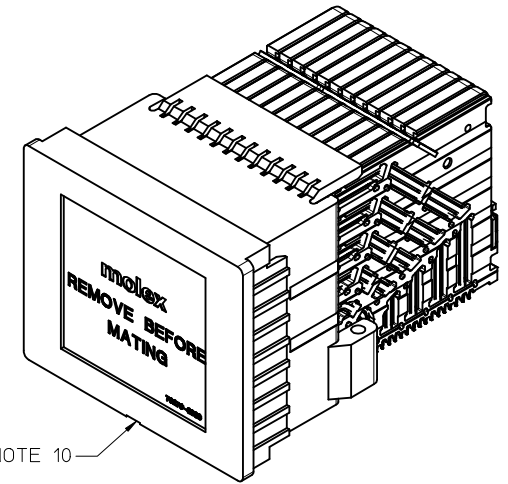
| | | | | | | |
|---|-----------------|--|--|--|--------------------------------|------------------------|
| SEE SHEET 1 EC. NO: UCP2016-2719 DRW:DWLEE01 2016/01/11 CHKD: APPR:DWLEE01 2016/01/11 REY: | QUALITY SYMBOLS | GENERAL TOLERANCES (UNLESS SPECIFIED) | DIMENSION STYLE MM ONLY | SCALE 2:1 | DESIGN UNITS METRIC | THIRD ANGLE PROJECTION |
| | ▽ = 0 | mm INCH | DRAWN BY DATE DWLEE01 2016/01/11 | TITLE IMPEL ORTHOGONAL DIRECT 6 PAIR X 12 COLUMN RAM UNGUIDED SALES DRAWING | | |
| | ▽ = 0 | 4 PLACES ± --- ± --- 3 PLACES ± --- ± --- 2 PLACES ± 0.13 ± --- 1 PLACE ± 0.25 ± --- 0 PLACE ± --- ± --- | CHECKED BY DATE | APPROVED BY DATE DWLEE01 2016/01/11 | | |
| | ▽ = 0 | ANGULAR ±1/2° | DRAFT WHERE APPLICABLE MUST REMAIN WITHIN DIMENSIONS | MATERIAL NO. SEE CHART | DOCUMENT NO. SD-171740-9003 | SHEET NO. 3 OF 3 |

THIS DRAWING CONTAINS INFORMATION THAT IS PROPRIETARY TO MOLEX. INCORPORATED AND SHOULD NOT BE USED WITHOUT WRITTEN PERMISSION



NOTES:

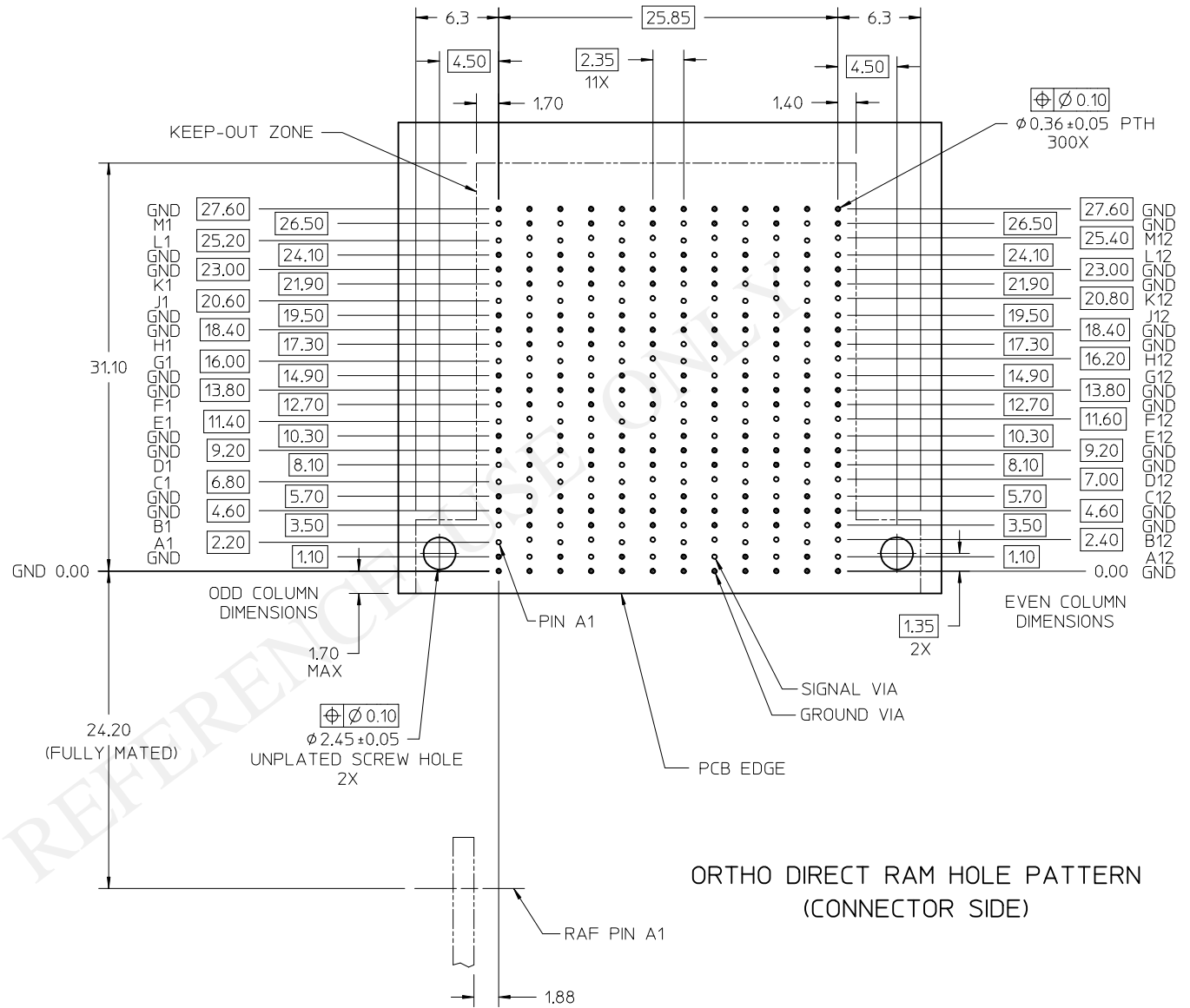
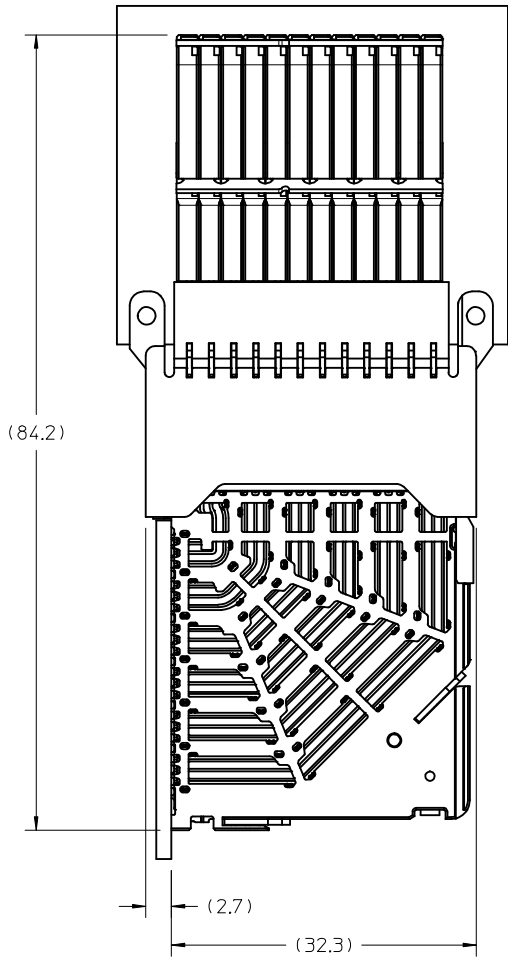
1. MATERIALS: HOUSING - LIQUID CRYSTAL POLYMER (LCP)
GLASS-FILLED, UL94V-0
TERMINALS - HIGH PERFORMANCE COPPER ALLOY
2. FINISH: 30uIN GOLD IN CONTACT AREA.
SELECTIVE TIN ON PCB TAILS.
NICKEL OVERALL.
3. REFER TO MOLEX PRODUCT SPECIFICATION PS-171320-999 FOR PERFORMANCE SPECIFICATIONS.
4. THIS PART CONFORMS TO CLASS B REQUIREMENTS OF COSMETIC SPEC PS-45499-002.
5. PRODUCT WILL BE PACKAGED PER PK-78888-309.
6. SEE SHEETS 2 AND 3 FOR PCB LAYOUT AND ORTHOGONAL PIN MAPPING.
7. MATES WITH IMPEL ORTHO DAUGHTERCARD SERIES NUMBER 171500 (UNGUIDED).
8. REFER TO IMPEL PCB ROUTING GUIDE AS-171500-990 FOR ANTIPAD, ROUTING RECOMMENDATIONS, AND ADDITIONAL PCB INFORMATION.
9. CONNECTORS ARE SUPPLIED WITH TWO 2-32 THREAD FORMING SCREWS.
10. PLEASE REMOVE DUST COVER BEFORE MATING.



SEE NOTE 10

IMPEL 6P OD-RAM
WITH DUST COVER

| | | | | | | |
|---|--|---------------------------------------|---|---|--------------|------------------------|
| PROPOSED EC NO: UCP2016-3500 DRWING: DWLEE01 2016/03/04 CHKD: APPR: DWLEE01 2016/03/08 REV: | QUALITY SYMBOLS | GENERAL TOLERANCES (UNLESS SPECIFIED) | DIMENSION STYLE | SCALE | DESIGN UNITS | THIRD ANGLE PROJECTION |
| | ▽ = 0 | mm INCH | MM ONLY | 3:1 | METRIC | |
| | ▽ = 0 | 4 PLACES ± --- ± --- | DRAWN BY DATE | TITLE | | |
| | ▽ = 0 | 3 PLACES ± --- ± --- | DWLEE01 2016/03/04 | IMPEL ORTHOGONAL DIRECT 6 PAIR X 12 COLUMN RAM UNGUIDED SALES DRAWING | | |
| | 2 PLACES ± 0.13 ± --- | CHECKED BY DATE | APPROVED BY DATE | | | |
| | 1 PLACE ± 0.25 ± --- | DWLEE01 2016/03/08 | DWLEE01 2016/03/08 | | | |
| | 0 PLACE ± --- ± --- | | MATERIAL NO. | | | |
| | ANGULAR ± 1/2° | | SEE CHART | | | |
| | DRAFT WHERE APPLICABLE MUST REMAIN WITHIN DIMENSIONS | | DOCUMENT NO. | | | |
| | | | SD-171740-9004 | | | |
| | | | SHEET NO. | | | |
| | | | 1 OF 3 | | | |
| | | | THIS DRAWING CONTAINS INFORMATION THAT IS PROPRIETARY TO MOLEX INCORPORATED AND SHOULD NOT BE USED WITHOUT WRITTEN PERMISSION | | | |



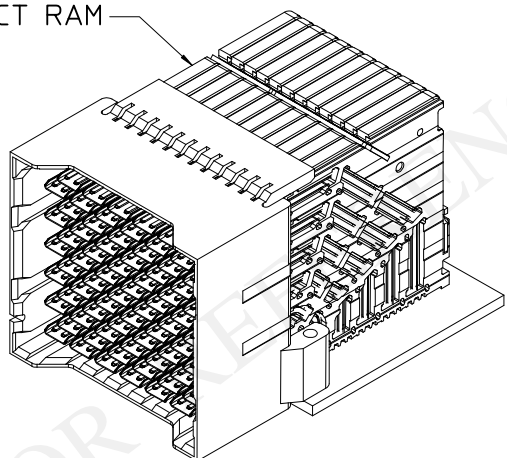
| | | | | | | |
|--|-----------------------|--|--------------------|---|--------------|---|
| SEE SHEET 1 EC NO: UCP2016-3500 DRW/DWLEE01 2016/03/04 CHKD: APPR:DWLEE01 2016/03/08 REV: | QUALITY SYMBOLS | GENERAL TOLERANCES (UNLESS SPECIFIED) | DIMENSION STYLE | SCALE | DESIGN UNITS | THIRD ANGLE PROJECTION |
| | ▽ = 0 | mm INCH | MM ONLY | 4:1 | METRIC | |
| | ▽ = 0 | 4 PLACES ± --- ± --- | DRAWN BY DATE | | | TITLE |
| | ▽ = 0 | 3 PLACES ± --- ± --- | DWLEE01 2016/03/04 | | | IMPEL ORTHOGONAL DIRECT 6 PAIR X 12 COLUMN RAM UNGUIDED SALES DRAWING |
| | 2 PLACES ± 0.13 ± --- | CHECKED BY DATE | | | | molex DOCUMENT NO. SD-171740-9004 SHEET NO. 2 OF 3 |
| | 1 PLACE ± 0.25 ± --- | APPROVED BY DATE | | | | |
| | 0 PLACE ± --- ± --- | DWLEE01 2016/03/08 | | | | |
| | | ANGULAR ± 1/2° | MATERIAL NO. | | | |
| | | DRAFT WHERE APPLICABLE MUST REMAIN WITHIN DIMENSIONS | SEE CHART | | | |
| | | | SIZE C | THIS DRAWING CONTAINS INFORMATION THAT IS PROPRIETARY TO MOLEX INCORPORATED AND SHOULD NOT BE USED WITHOUT WRITTEN PERMISSION | | |

ORTHO PIN MAPPING

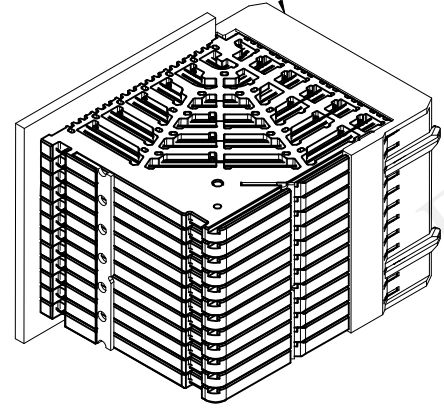
(RAF - OD RAM)

| | | | | | | | | | | | |
|--------|--------|--------|--------|--------|--------|--------|--------|--------|---------|---------|---------|
| M1-A11 | M2-B12 | M3-C11 | M4-D12 | M5-E11 | M6-F12 | M7-G11 | M8-H12 | M9-J11 | M10-K12 | M11-L11 | M12-M12 |
| L1-B11 | L2-A12 | L3-D11 | L4-C12 | L5-F11 | L6-E12 | L7-H11 | L8-G12 | L9-K11 | L10-J12 | L11-M11 | L12-L12 |
| K1-A9 | K2-B10 | K3-C9 | K4-D10 | K5-E9 | K6-F10 | K7-G9 | K8-H10 | K9-J9 | K10-K10 | K11-L9 | K12-M10 |
| J1-B9 | J2-A10 | J3-D9 | J4-C10 | J5-F9 | J6-E10 | J7-H9 | J8-G10 | J9-K9 | J10-J10 | J11-M9 | J12-L10 |
| H1-A7 | H2-B8 | H3-C7 | H4-D8 | H5-E7 | H6-F8 | H7-G7 | H8-H8 | H9-J7 | H10-K8 | H11-L7 | H12-M8 |
| G1-B7 | G2-A8 | G3-D7 | G4-C8 | G5-F7 | G6-E8 | G7-H7 | G8-G8 | G9-K7 | G10-J8 | G11-M7 | G12-L8 |
| F1-A5 | F2-B6 | F3-C5 | F4-D6 | F5-E5 | F6-F6 | F7-G5 | F8-H6 | F9-J5 | F10-K6 | F11-L5 | F12-M6 |
| E1-B5 | E2-A6 | E3-D5 | E4-C6 | E5-F5 | E6-E6 | E7-H5 | E8-G6 | E9-K5 | E10-J6 | E11-M5 | E12-L6 |
| D1-A3 | D2-B4 | D3-C3 | D4-D4 | D5-E3 | D6-F4 | D7-G3 | D8-H4 | D9-J3 | D10-K4 | D11-L3 | D12-M4 |
| C1-B3 | C2-A4 | C3-D3 | C4-C4 | C5-F3 | C6-E4 | C7-H3 | C8-G4 | C9-K3 | C10-J4 | C11-M3 | C12-L4 |
| B1-A1 | B2-B2 | B3-C1 | B4-D2 | B5-E1 | B6-F2 | B7-G1 | B8-H2 | B9-J1 | B10-K2 | B11-L1 | B12-M2 |
| A1-B1 | A2-A2 | A3-D1 | A4-C2 | A5-F1 | A6-E2 | A7-H1 | A8-G2 | A9-K1 | A10-J2 | A11-M1 | A12-L2 |

ORTHO DIRECT RAM



ORTHO RAF



CONNECTORS ARE DESIGNED TO MATE IN THE ORIENTATION AS SHOWN.
(THIS IS CONSISTENT WITH THE 270° ORIENTATION OF THE ORTHO MIDPLANE SYSTEM, BUT THE ORTHOGONAL PINMAP IS DIFFERENT.)

| MATERIAL NUMBER | NUMBER OF COLUMNS | NUMBER OF DIFF PAIR | DIM "P" | DESCRIPTION |
|-----------------|-------------------|---------------------|---------|---------------------------------|
| 171740-9298 | 12 | 72 | 5.50 | P/N 171740-9208 WITH DUST COVER |
| 171740-9288 | 12 | 72 | 5.50 | FINAL VERSION WITH DUST COVER |

171740-92**

COLUMN SIZE
2 = 12 COLUMN

PIN LENGTH (P)
7 = 4.90
8 = 5.50

| | | | | | | |
|--|-----------------|--|--|---|-------------------------------|------------------------|
| SEE SHEET 1 EC. NO: UCP2016-3500 DRWN:DWLEE01 2016/03/04 CHKD: APPR:DWLEE01 2016/03/08 REY: | QUALITY SYMBOLS | GENERAL TOLERANCES (UNLESS SPECIFIED) | DIMENSION STYLE MM ONLY | SCALE 2:1 | DESIGN UNITS METRIC | THIRD ANGLE PROJECTION |
| | ▽ = 0 | mm INCH | DRAWN BY DATE DWLEE01 2016/03/04 | TITLE IMPEL ORTHOGONAL DIRECT 6 PAIR X 12 COLUMN RAM UNGUIDED SALES DRAWING | | |
| | ▽ = 0 | 4 PLACES ± --- ± --- | CHECKED BY DATE | APPROVED BY DATE DWLEE01 2016/03/08 | | |
| | ▽ = 0 | 2 PLACES ± 0.13 ± --- | MATERIAL NO. SEE CHART DOCUMENT NO. SD-171740-9004 SHEET NO. 3 OF 3 | | | |
| ANGULAR ±1/2° | | DRAFT WHERE APPLICABLE MUST REMAIN WITHIN DIMENSIONS | | | | |
| THIS DRAWING CONTAINS INFORMATION THAT IS PROPRIETARY TO MOLEX. INCORPORATED AND SHOULD NOT BE USED WITHOUT WRITTEN PERMISSION | | | | | | |