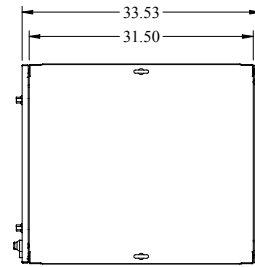
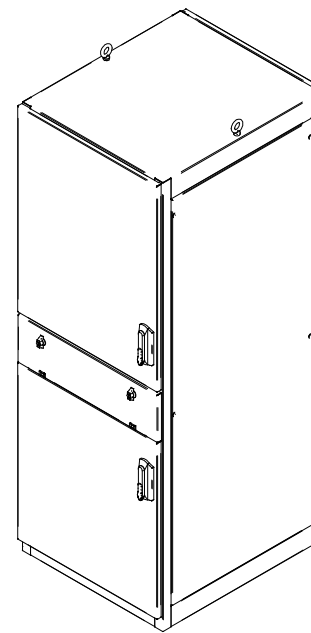
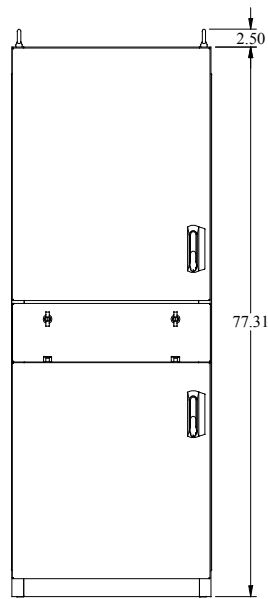


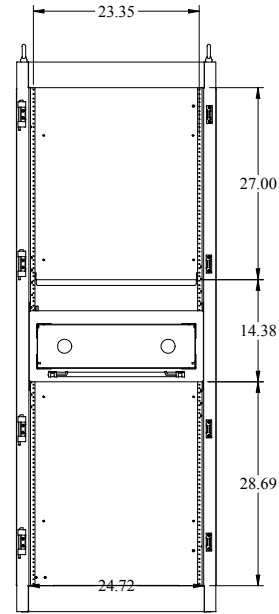

**PART No. IPC1878ST**  
 for more information visit  
[www.hammondmfg.com](http://www.hammondmfg.com)  
 Data subject to change without notice  
 Isometric drawing Not to Scale



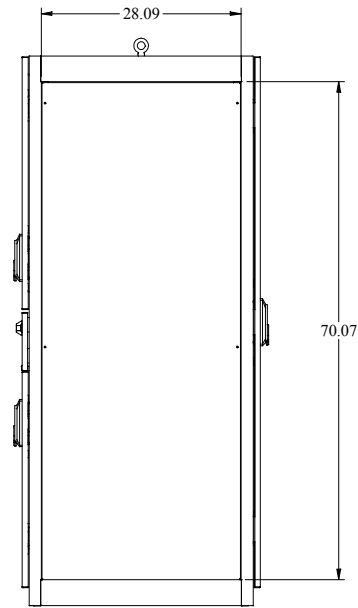
TOP VIEW



FRONT VIEW



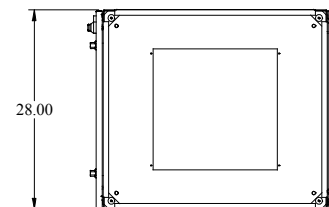
FRONT DOORS REMOVED



LEFT SIDE VIEW



REAR VIEW



BOTTOM VIEW