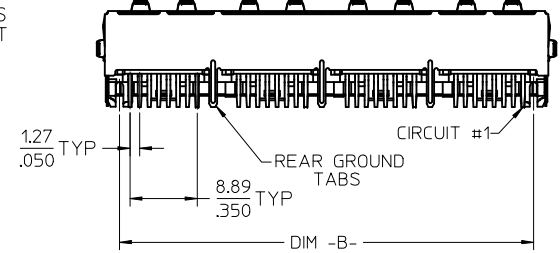
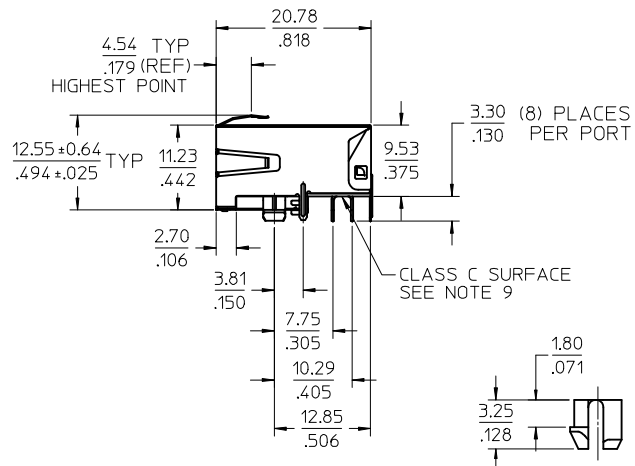
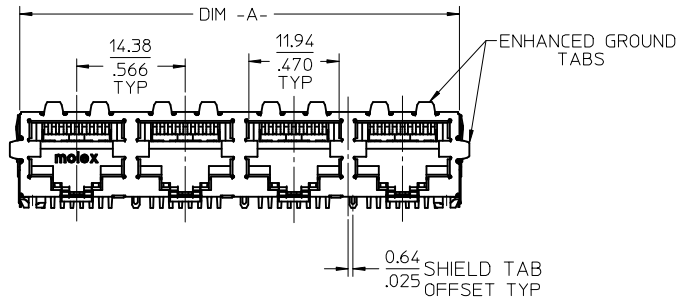


SHIELDING OPTION -A-  
STANDARD SHIELD  
(SEE CHART)

SHIELDING OPTION -B-  
ENHANCED GROUND TABS  
(SEE CHART)



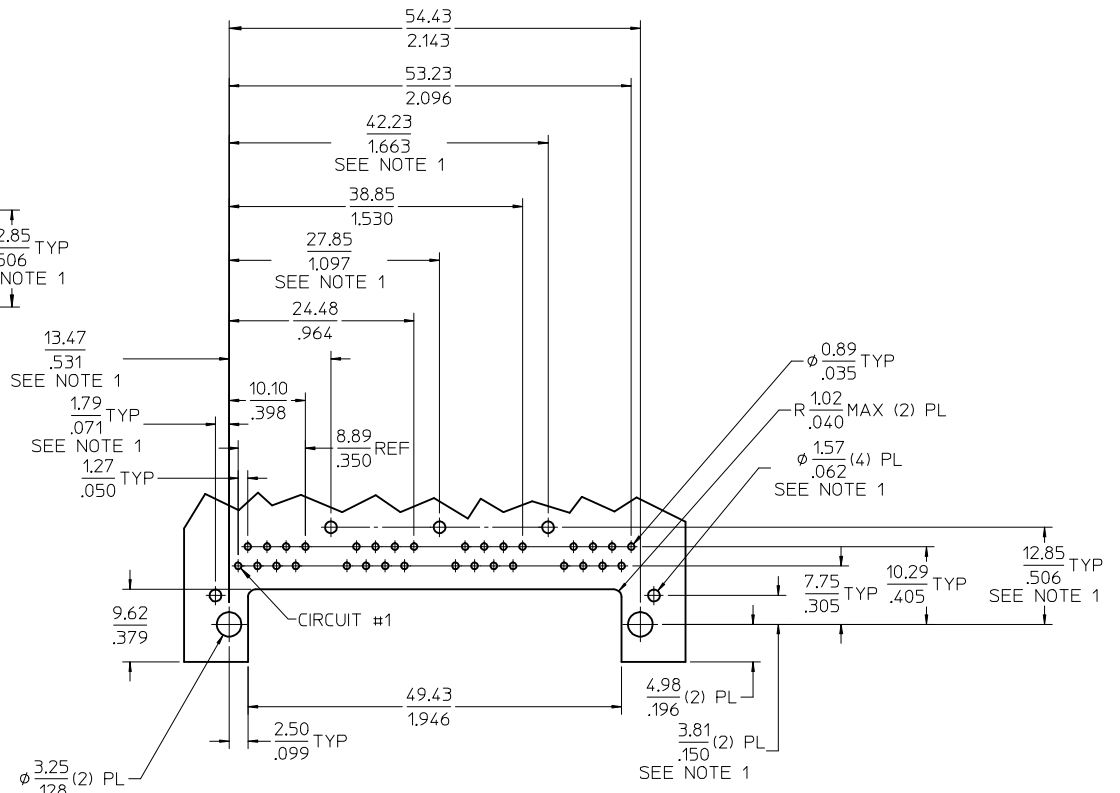
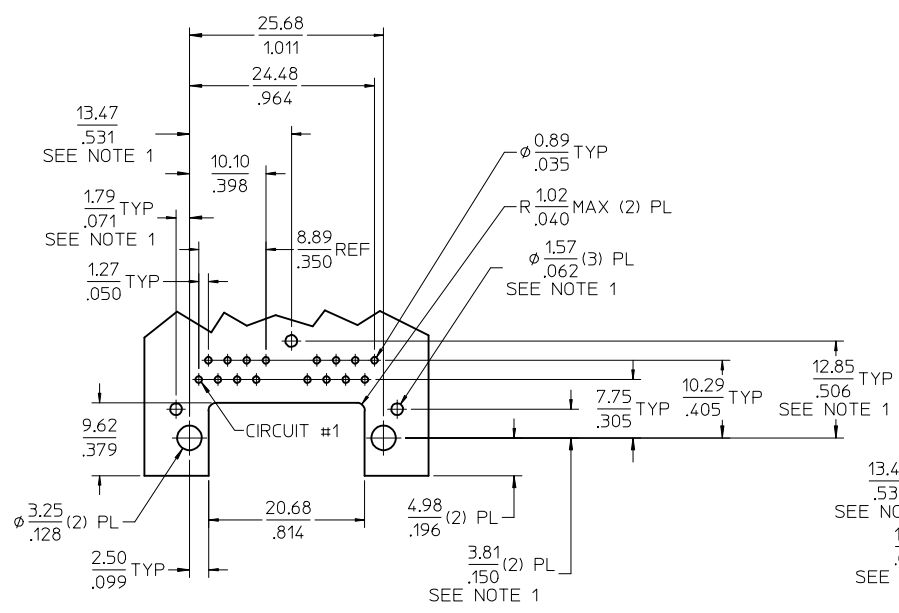
- NOTES:  
1) MATERIAL:  
HOUSING: NYLON(IPA), GLASS FILLED, UL94V-0, COLOR: BLACK  
TERMINALS: PHOSPHOR BRONZE  
SHIELD: BRASS, .007/(0.18) THICK  
2) FINISH:  
TERMINALS:  
SELECT GOLD IN CONTACT AREA: 50 MICROINCHES (1.27 MICROMETERS) MIN.,  
SELECT MATTE TIN IN PC TAIL AREA: 100 MICROINCHES (2.54 MICROMETERS) MIN.,  
WITH OVERALL NICKEL UNDERPLATE: 50 MICROINCHES (1.27 MICROMETERS) MIN.  
SHIELD:  
100 MICROINCHES (2.54 MICROMETERS) NICKEL OVER 50 MICROINCHES  
(1.27 MICROMETERS) COPPER UNDERPLATE; PCB GROUND TABS DIPPED IN TIN.  
3) PRODUCT SPECIFICATION: PS-44560-003.  
4) PACKAGING SPECIFICATION:  
2 PORT: CONNECTOR PACKAGED IN TRAYS PER MOLEX PACKAGING SPECIFICATION  
PK-44560-004  
4 PORT: CONNECTOR PACKAGED IN TRAYS PER MOLEX PACKAGING SPECIFICATION  
PK-44560-005  
5) CONFORMS TO FCC REGULATION PART 68.5 FOR MODULAR JACKS.  
6) ENHANCED GROUND TABS SHIELD (OPTION -B-) IS SHOWN IN THIS  
DRAWING. (SEE CHART)  
7) SEE SHEET (2) OF (2) FOR RECOMMENDED PANEL OPENING AND PCB LAYOUT.  
8) CAT 5e PERFORMANCE IS NOT SPECIFIED FOR THIS MODULAR JACK BECAUSE  
OF THE EVEN TERMINAL TAILS.  
9) THIS PART CONFORMS TO CLASS B REQUIREMENTS OF COSMETIC  
SPECIFICATION PS-45499-002 WITH THE EXCEPTION OF THE SURFACE  
INDICATED, WHICH IS A CLASS C SURFACE.  
10) THIS PRODUCT IS COMPLIANT TO RoHS DIRECTIVE 2002/95/EC AND ELV ANNEX  
II OF DIRECTIVE 2000/53/EC.



PEG DETAIL  
SCALE 4:1

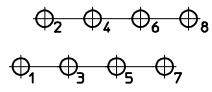
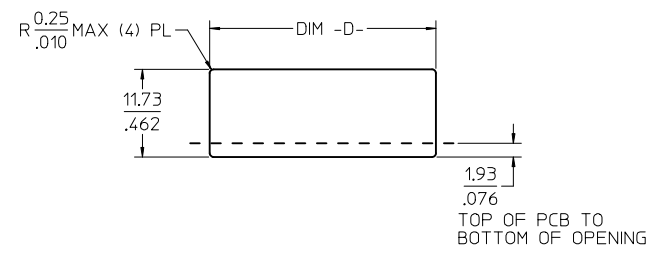
ASSEMBLY MATERIAL NUMBER	SHIELDING OPTION	NUMBER OF REAR GROUND TABS	NUMBER OF PORTS	DIM -A-	DIM -B-
445600112	B	1	2	29.44/1.159	25.68/1.011

CREATE DWG EC NO: UCP2013-0627 DRW: NGUYEN CHKD: JELL APPR: FSMITH 2012/08/14 2012/08/14 2012/08/27	DESCRIPTION REV A	QUALITY SYMBOLS ∇=0 ∇=0 ∇=0	GENERAL TOLERANCES (UNLESS SPECIFIED) mm INCH 4 PLACES ± --- ± --- 3 PLACES ± --- ± .012 2 PLACES ± 0.30 ± --- 1 PLACE ± --- ± --- 0 PLACE ± ±	DIMENSION STYLE MM/IN DRAWN BY DATE NGUYEN 2012/08/14 CHECKED BY DATE JBELL 2012/08/14 APPROVED BY DATE FSMITH 2012/08/27	SCALE 2:1 DESIGN UNITS INCH THIRD ANGLE PROJECTION	COMPACT GANGED MODJACK EVEN TAILS <b>molex</b>	MATERIAL NO. SEE CHART DOCUMENT NO. RSD-44560-001 SHEET NO. 1 OF 2
		DRAFT WHERE APPLICABLE MUST REMAIN WITHIN DIMENSIONS			SIZE C	THIS DRAWING CONTAINS INFORMATION THAT IS PROPRIETARY TO MOLEX INCORPORATED AND SHOULD NOT BE USED WITHOUT WRITTEN PERMISSION	



2 PORT ASSEMBLY  
PCB LAYOUT : COMPONENT SIDE  
RECOMMENDED PCB THICKNESS: 1.57/0.62  
TOLERANCE ±.076/0.03 UNLESS OTHERWISE SPECIFIED

4 PORT ASSEMBLY  
PCB LAYOUT : COMPONENT SIDE  
RECOMMENDED PCB THICKNESS: 1.57/0.62  
TOLERANCE ±.076/0.03 UNLESS OTHERWISE SPECIFIED



TYPICAL PC TERMINAL HOLE LAYOUT  
SCALE 5:1

NOTES:  
1. DIMENSIONS REFER TO ASSEMBLIES WITH SHIELDING OPTION

NUMBER OF PORTS	DIM -D-
2	30.20/1.189
4	58.95/2.321

RECOMMENDED  
PANEL OPENING  
SHIELDING OPTIONS  
A AND B

<b>SEE SHEET 1</b> EC NO: UCP2013-0627 DRW: NNGUYEN 2012/08/14 CHKD: JBELL 2012/08/14 APPR: FSMITH 2012/08/27	QUALITY SYMBOLS 	GENERAL TOLERANCES (UNLESS SPECIFIED)		DIMENSION STYLE <b>MM/IN</b>		SCALE <b>2:1</b>	DESIGN UNITS <b>INCH</b>	THIRD ANGLE PROJECTION		
		4 PLACES ±	mm	INCH	DRAWN BY	DATE	<b>COMPACT GANGED MODJACK EVEN TAILS</b>			
		3 PLACES ±	---	±.012	NNGUYEN	2012/08/14				
		2 PLACES ±	0.30	---	CHECKED BY	DATE				
1 PLACE ±	---	---	JBELL	2012/08/14						
0 PLACE ±	---	---	APPROVED BY	DATE	MATERIAL NO. <b>SEE SHEET 1</b>		DOCUMENT NO. <b>RSD-44560-001</b>		SHEET NO. <b>2 OF 2</b>	
DRAFT WHERE APPLICABLE MUST REMAIN WITHIN DIMENSIONS		ANGULAR ±1/2°		THIS DRAWING CONTAINS INFORMATION THAT IS PROPRIETARY TO MOLEX INCORPORATED AND SHOULD NOT BE USED WITHOUT WRITTEN PERMISSION						