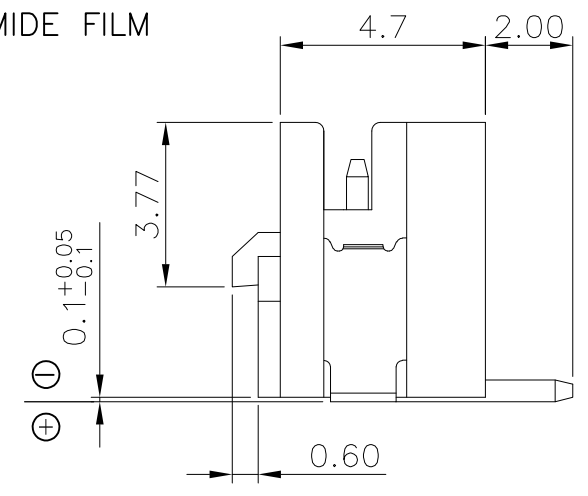
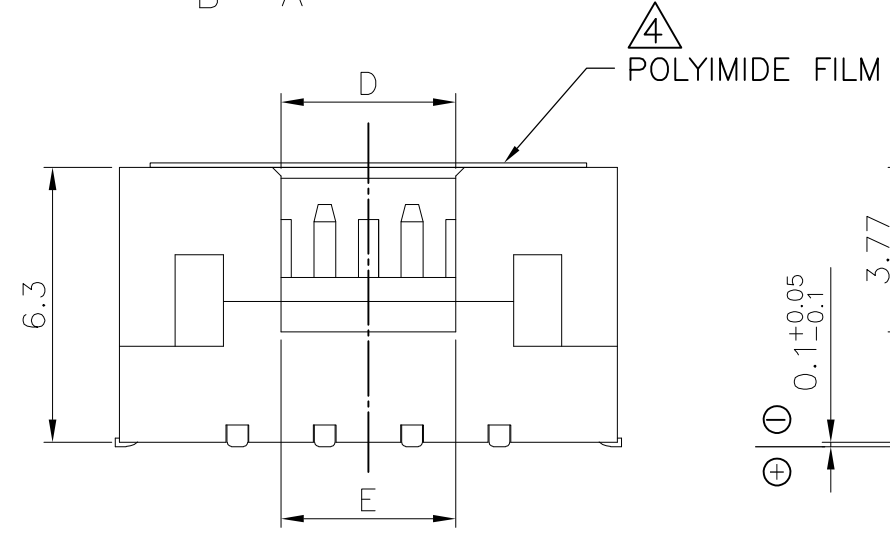
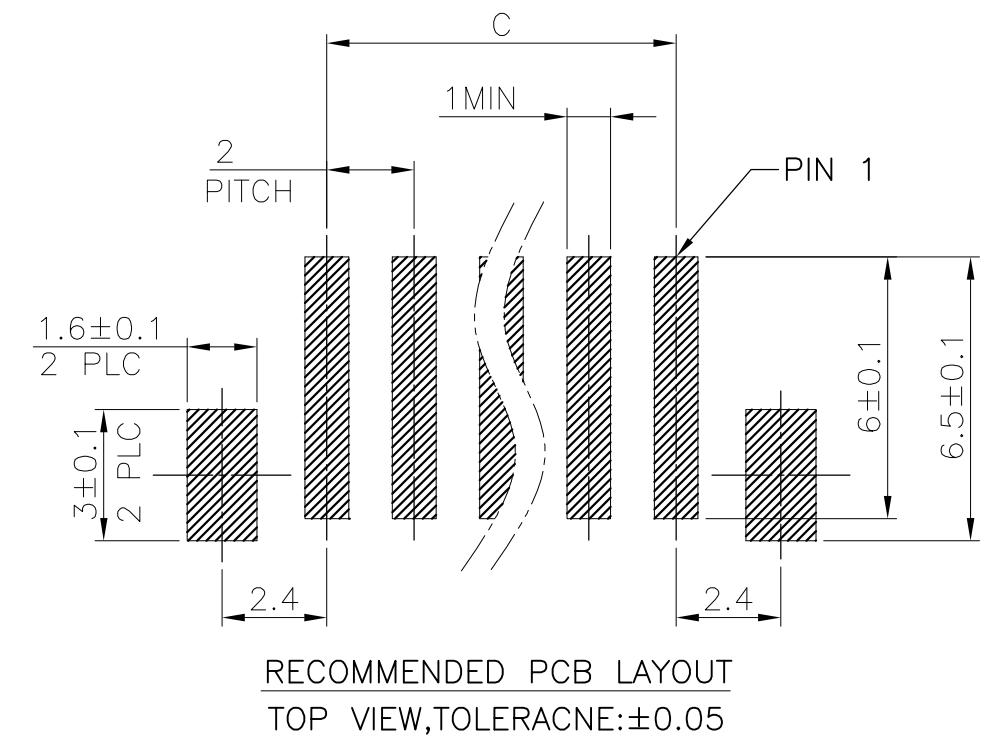
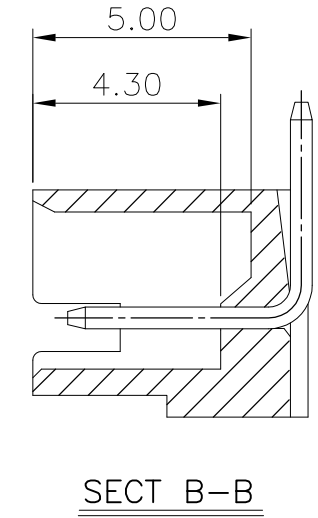
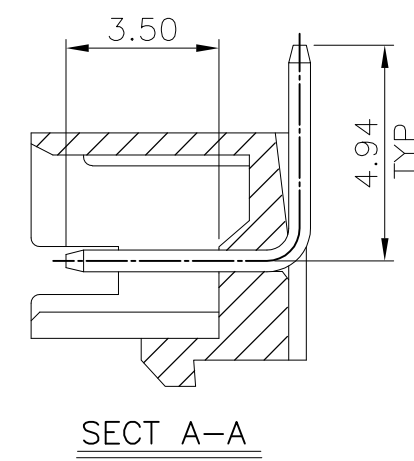
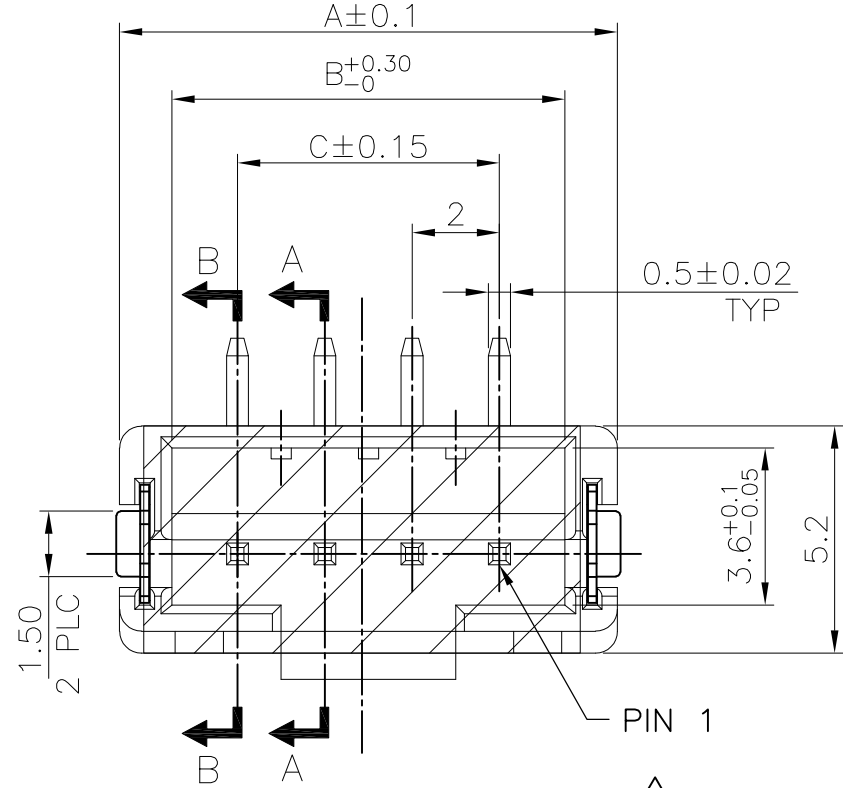


THIS DRAWING IS UNPUBLISHED. RELEASED FOR PUBLICATION
 © COPYRIGHT - BY - ALL RIGHTS RESERVED.

LOC	DIST	REVISIONS			
P	LTR	DESCRIPTION	DATE	DWN	APVD
DW	/	A5	REVISED PER ECO-11-005301	11APR11	RK HMR

2041061-4 AS SHOWN



TOOLING	WEIGHT (GRAMS)	POLYIMIDE SIZE (L*W)	DIM.E	DIM.D	DIM.C	DIM.B	DIM.A	POS.	PART NUMBER
NOT AVAILABLE	/	5.0*35	8.2	28.0	30.0	33.0	35.4	16	/
NOT AVAILABLE	/	5.0*33	8.2	26.0	28.0	31.0	33.4	15	/
NOT AVAILABLE	/	5.0*31	8.2	24.0	26.0	29.0	31.4	14	/
NOT AVAILABLE	/	5.0*29	8.2	22.0	24.0	27.0	29.4	13	/
NOT AVAILABLE	/	5.0*27	8.2	20.0	22.0	25.0	27.4	12	/
AVAILABLE	0.80	5.0*25	8.2	18.0	20.0	23.0	25.4	11	1-2041061-1
NOT AVAILABLE	/	5.0*23	8.2	16.0	18.0	21.0	23.4	10	/
NOT AVAILABLE	/	5.0*21	8.2	14.0	16.0	19.0	21.4	9	/
AVAILABLE	0.58	5.0*19	8.2	12.0	14.0	17.0	19.4	8	2041061-8
AVAILABLE	0.43	5.0*17	8.2	10.0	12.0	15.0	17.4	7	2041061-7
NOT AVAILABLE	/	5.0*15	4.0	8.0	10.0	13.0	15.4	6	/
NOT AVAILABLE	/	5.0*13	4.0	6.0	8.0	11.0	13.4	5	/
AVAILABLE	0.37	5.0*11	4.0	4.0	6.0	9.0	11.4	4	2041061-4
NOT AVAILABLE	/	5.0*9	2.0	2.0	4.0	7.0	9.4	3	/

- NOTE:
- MATERIAL:
HOUSING : PA9T, UL94V0, COLOR:NATURE
CONTACTS : PHOSPHOR BRONZE.
PEGS : BRASS.
 - FINISH:
CONTACTS: GOLD FLASH PLATED ALL OVER,
1.27μm [50μ"] MIN. NICKEL UNDERPLATED.
PEGS: 2μm [80μ"] MIN. TIN PLATED.
1.27μm [50μ"] MIN. NICKEL UNDERPLATED.
 - REFLOW SOLDER CAPABLE TO 260°C PER TEST SPEC.
109-201, CONDITION B.
 - POLYIMIDE FILM FOR PICK AND PLACE USED.
 - REFERENCE MATING PN1735447-X

THIS DRAWING IS A CONTROLLED DOCUMENT.

DWN S. CHIEN 20NOV2008
 CHK S. CHIEN 20NOV2008
 APVD W. KODAMA 20NOV2008

TE Connectivity

108-57694
 501-57903

2.0MM PITCH HPI
 SMD, VERTICAL ,POST HEADER

109-201, CONDITION B

SIZE A3 CAGE CODE 00779 DRAWING NO C=2041061 RESTRICTED TO -

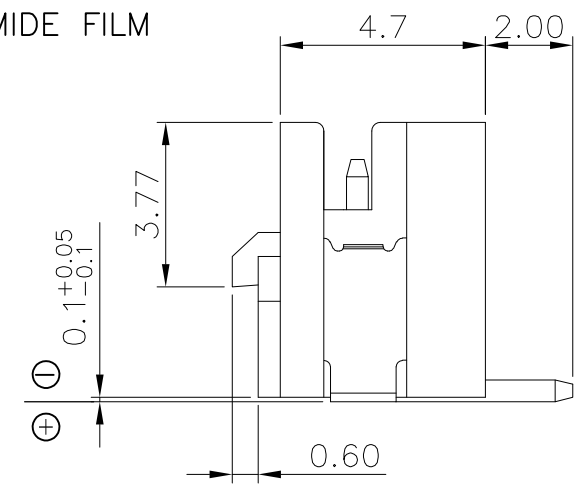
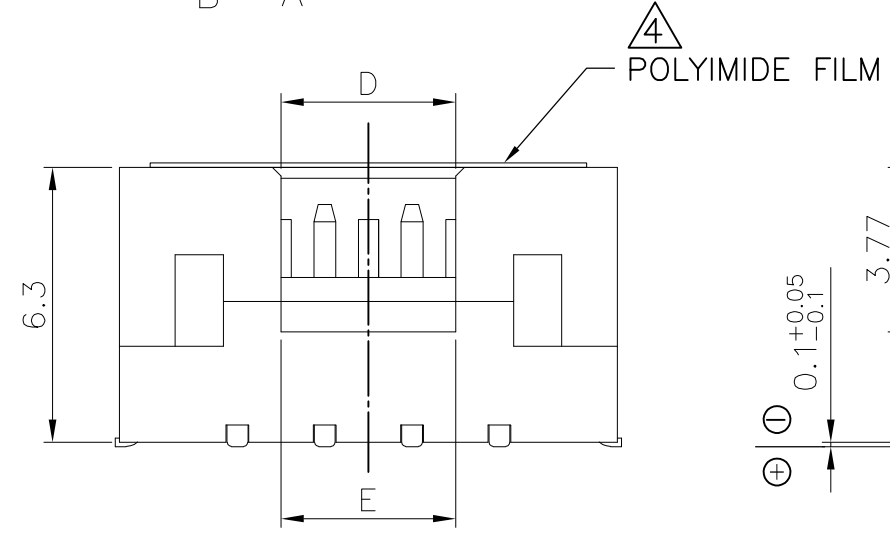
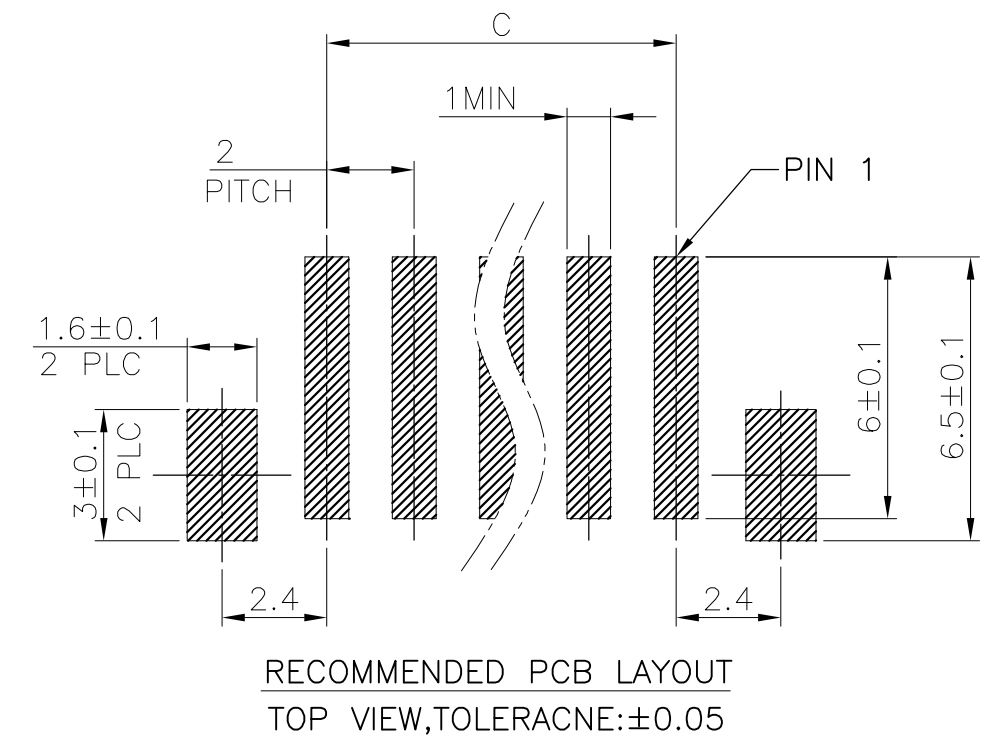
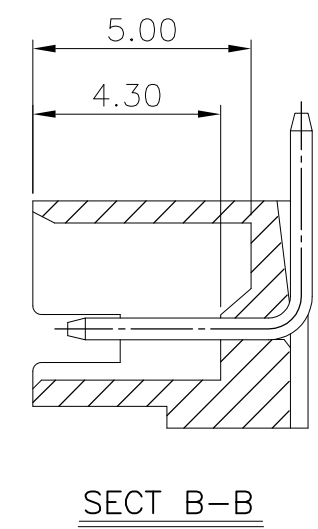
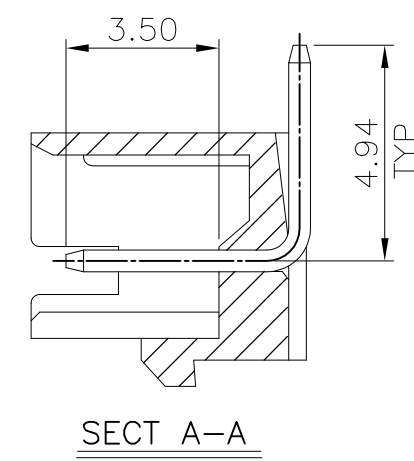
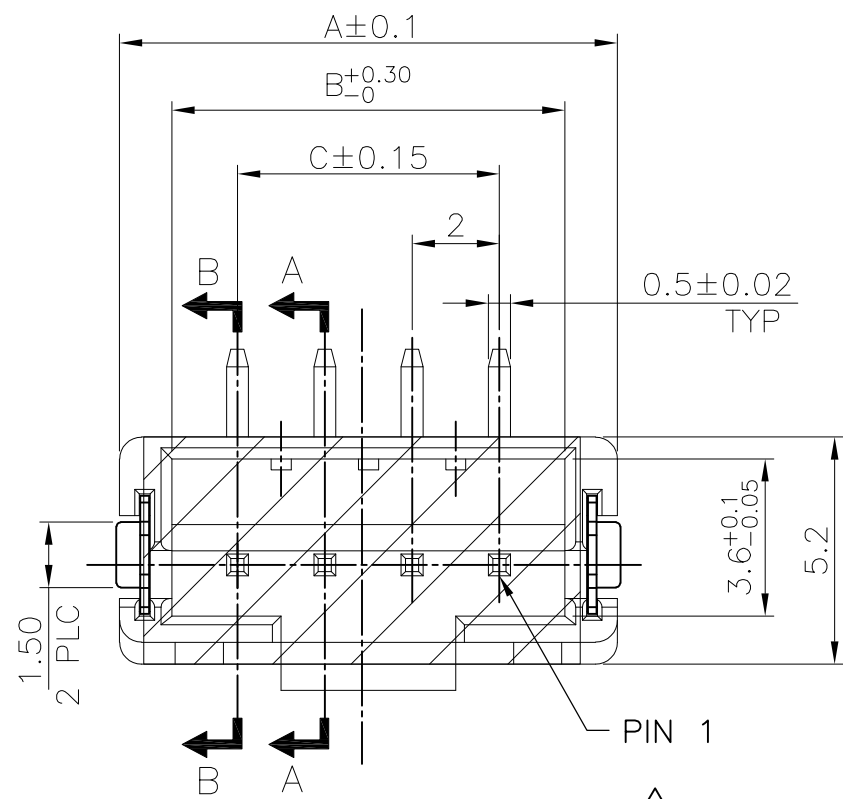
WEIGHT SEE TABLE

CUSTOMER DRAWING SCALE FREE SHEET 1 OF 4 REV A5

THIS DRAWING IS UNPUBLISHED. RELEASED FOR PUBLICATION
 © COPYRIGHT - BY - ALL RIGHTS RESERVED.

LOC		DIST		REVISIONS					
DW				P	LTR	DESCRIPTION	DATE	DWN	APVD
						SEE SHEET 1			

2-2041061-4 AS SHOWN



NOT AVAILABLE		5.0*35	8.2	28.0	30.0	33.0	35.4	16	
NOT AVAILABLE		5.0*33	8.2	26.0	28.0	31.0	33.4	15	
NOT AVAILABLE		5.0*31	8.2	24.0	26.0	29.0	31.4	14	
NOT AVAILABLE		5.0*29	8.2	22.0	24.0	27.0	29.4	13	
NOT AVAILABLE		5.0*27	8.2	20.0	22.0	25.0	27.4	12	
AVAILABLE	0.80	5.0*25	8.2	18.0	20.0	23.0	25.4	11	3-2041061-1
NOT AVAILABLE		5.0*23	8.2	16.0	18.0	21.0	23.4	10	
NOT AVAILABLE		5.0*21	8.2	14.0	16.0	19.0	21.4	9	
AVAILABLE	0.58	5.0*19	8.2	12.0	14.0	17.0	19.4	8	2-2041061-8
AVAILABLE	0.43	5.0*17	8.2	10.0	12.0	15.0	17.4	7	2-2041061-7
NOT AVAILABLE		5.0*15	4.0	8.0	10.0	13.0	15.4	6	
NOT AVAILABLE		5.0*13	4.0	6.0	8.0	11.0	13.4	5	
AVAILABLE	0.37	5.0*11	4.0	4.0	6.0	9.0	11.4	4	2-2041061-4
NOT AVAILABLE		5.0*9	2.0	2.0	4.0	7.0	9.4	3	
TOOLING	WEIGHT (GRAMS)	POLYIMIDE SIZE (L*W)	DIM.E	DIM.D	DIM.C	DIM.B	DIM.A	POS.	PART NUMBER

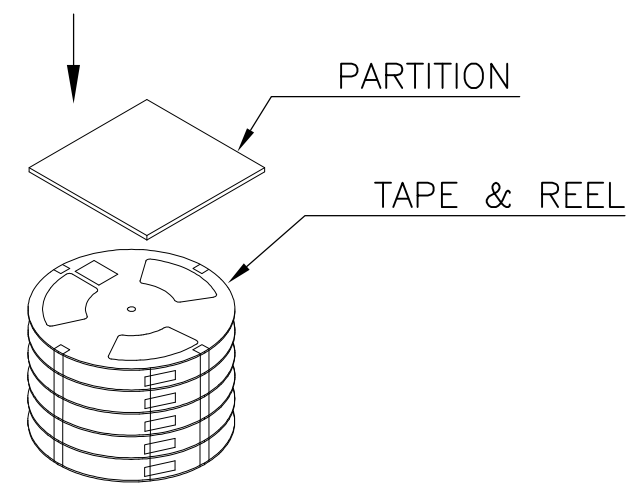
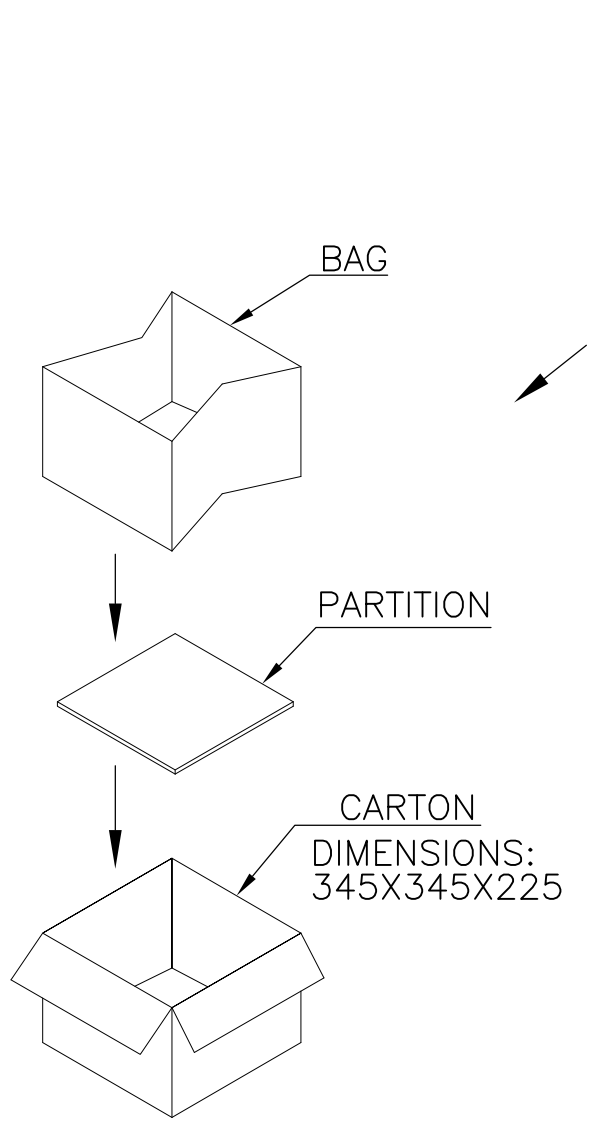
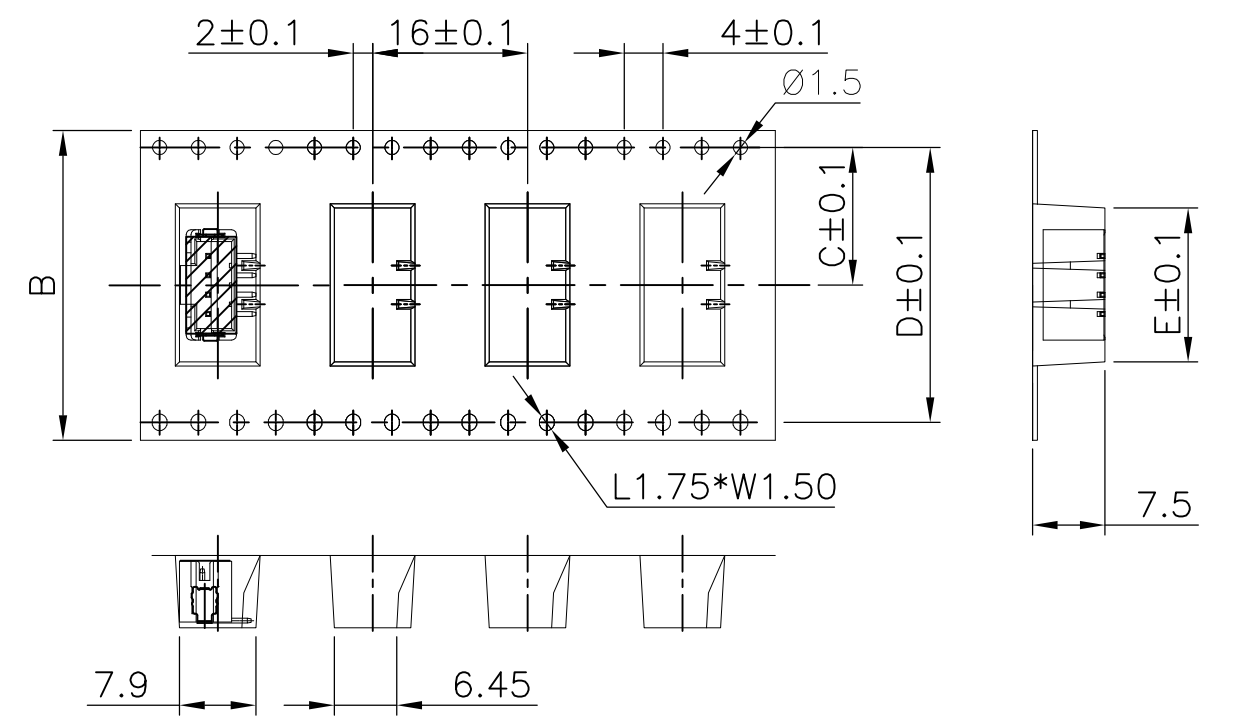
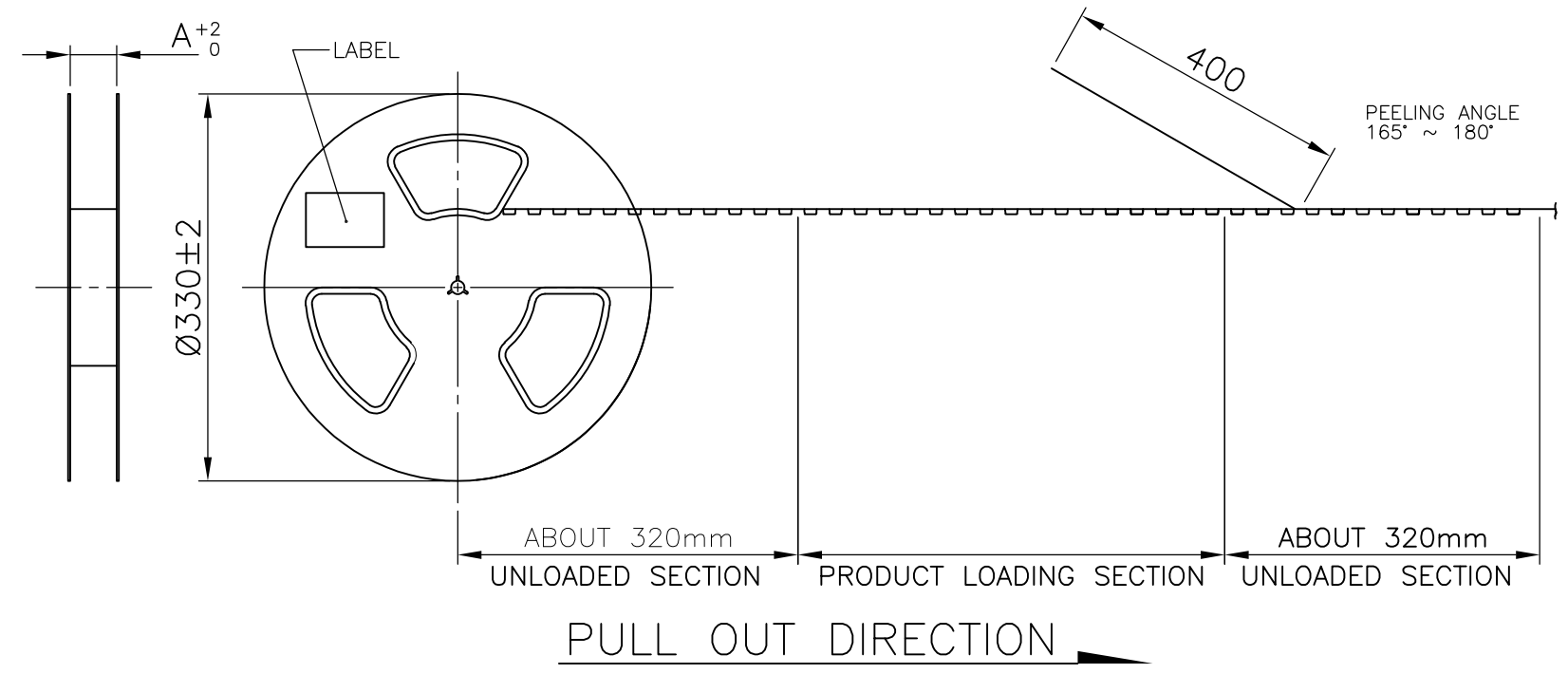
- NOTE:
- MATERIAL:
HOUSING : PA9T, UL94V0, COLOR:NATURE
CONTACTS : PHOSPHOR BRONZE.
PEGS : BRASS.
 - FINISH:
CONTACTS: 2µm [80µ"] MIN. MATTE-TIN PLATED ALL OVER,
1.27µm [50µ"] MIN. NICKEL UNDERPLATED.
PEGS: 2µm [80µ"] MIN. TIN PLATED.
1.27µm [50µ"] MIN. NICKEL UNDERPLATED.
 - REFLOW SOLDER CAPABLE TO 260°C PER TEST SPEC.
109-201, CONDITION B.
 - POLYIMIDE FILM FOR PICK AND PLACE USED.
 - REFERENCE MATING PN1735447-X

THIS DRAWING IS A CONTROLLED DOCUMENT.

DWN S. CHIEN 20NOV2008	TE Connectivity 2.0MM PITCH HPI SMD, VERTICAL ,POST HEADER
CHK S. CHIEN 20NOV2008	
APVD W. KODAMA 20NOV2008	
PRODUCT SPEC	
108-57694	NAME
QUALIFICATION TEST REPORT	SIZE CAGE CODE DRAWING NO RESTRICTED TO
501-57903	A3 00779 C=2041061
WEIGHT SEE TABLE	SCALE SHEET REV
CUSTOMER DRAWING	FREE 2 OF 4 A5

THIS DRAWING IS UNPUBLISHED. RELEASED FOR PUBLICATION
 © COPYRIGHT - BY - ALL RIGHTS RESERVED.

LOC	DIST	REVISIONS			
P	LTR	DESCRIPTION	DATE	DWN	APVD
		SEE SHEET 1			



NOTE :
 1. MATERIAL:
 REEL/CARRIER: PS
 COVER TAPE: PE
 INNER CARTON: CORRUGATED FIBERBOARD
 SHIPPING BOX: CORRUGATED FIBERBOARD
 2. PEELING STRENGTH: 0.1N~1.3N(10grams~130grams)
 PEELING ANGLE: 165°~180°
 PEELING SPEED: 300mm/MIN.

27.9	40.4	20.2	44	49.5	500	4	2000	4.35	1.60	1-2041061-1
								4.0	1.25	2041061-8
								3.9	1.15	2041061-7
15.9	28.4	14.2	32	38.4	500	5	2500	3.7	0.98	2041061-4
DIM E	DIM D	DIM C	DIM B	DIM A	PCS/REEL	REELS/CARTON	QUANTITY (PCS)	G/W (Kg)	N/W (Kg)	PART NUMBER

THIS DRAWING IS A CONTROLLED DOCUMENT.		DWN	TE Connectivity			
DIMENSIONS: MM		CHK				
TOLERANCES UNLESS OTHERWISE SPECIFIED:		APVD	NAME			
0 PLC ± - 1 PLC ± - 2 PLC ± - 3 PLC ± - 4 PLC ± - ANGLES ± -		PRODUCT SPEC	2.0MM PITCH HPI SMD, VERTICAL ,POST HEADER			
MATERIAL SEE NOTE		QUALIFICATION TEST REPORT	SIZE	CAGE CODE	DRAWING NO	RESTRICTED TO
FINISH SEE NOTE		WEIGHT	A3	00779	C=2041061	-
CUSTOMER DRAWING			SCALE	SHEET	REV	
			FREE	3 OF 4	A5	

4

3

2

1

THIS DRAWING IS UNPUBLISHED.

RELEASED FOR PUBLICATION

-, -.

ALL RIGHTS RESERVED.

© COPYRIGHT - BY-

LOC
DWDIST
/

REVISIONS

P	LTR	DESCRIPTION	DATE	DWN	APVD
		SEE SHEET 1			

A_{+2}^0
 LABEL
 $\text{Ø}3330 \pm 2$
 400
 PEELING ANGLE
 $165^\circ \sim 180^\circ$
 ABOUT 320mm
 UNLOADED SECTION
 PRODUCT LOADING SECTION
 UNLOADED SECTION
 PULL OUT DIRECTION

2 ± 0.1 16 ± 0.1 4 ± 0.1
 $\text{Ø}1.5$
 $C \pm 0.1$
 $D \pm 0.1$
 $E \pm 0.1$
 7.5
 $L1.75 * W1.50$
 7.9 6.45

BAG
 PARTITION
 CARTON
 DIMENSIONS:
 345X345X225

PARTITION
 TAPE & REEL

NOTE :

- MATERIAL:
 REEL/CARRIER: PS
 COVER TAPE: PE
 INNER CARTON: CORRUGATED FIBERBOARD
 SHIPPING BOX: CORRUGATED FIBERBOARD
- PEELING STRENGTH: 0.1N~1.3N(10grams~130grams)
 PEELING ANGLE: $165^\circ \sim 180^\circ$
 PEELING SPEED: 300mm/MIN.

27.9	40.4	20.2	44	49.5	500	4	2000	4.35	1.60	3-2041061-1
								4.0	1.25	2-2041061-8
								3.9	1.15	2-2041061-7
15.9	28.4	14.2	32	38.4	500	5	2500	3.7	0.98	2-2041061-4
DIM E	DIM D	DIM C	DIM B	DIM A	PCS/REEL	REELS/CARTON	QUANTITY (PCS)	G/W (Kg)	N/W (Kg)	PART NUMBER

DIMENSIONS: MM		TOLERANCES UNLESS OTHERWISE SPECIFIED:		MATERIAL		FINISH	
0 PLC	$\pm -$	0 PLC	$\pm -$	SEE NOTE	SEE NOTE		
1 PLC	$\pm -$	1 PLC	$\pm -$				
2 PLC	$\pm -$	2 PLC	$\pm -$				
3 PLC	$\pm -$	3 PLC	$\pm -$				
4 PLC	$\pm -$	4 PLC	$\pm -$				
ANGLES	$\pm -$	ANGLES	$\pm -$				

THIS DRAWING IS A CONTROLLED DOCUMENT.				DWN		CHK		APVD		PRODUCT SPEC		QUALIFICATION TEST REPORT		WEIGHT		CUSTOMER DRAWING	
TE Connectivity								NAME				2.0MM PITCH HPI SMD, VERTICAL ,POST HEADER		RESTRICTED TO			
SIZE		CAGE CODE		DRAWING NO		A300779		G=2041061		SCALE		SHEET		REV			
										FREE		4 OF 4		A5			

1470-19 (3/11)