

THIS DRAWING IS UNPUBLISHED.

RELEASED FOR PUBLICATION

2005

© COPYRIGHT 2005

BY TYCO ELECTRONICS CORPORATION. ALL INTERNATIONAL RIGHTS RESERVED.

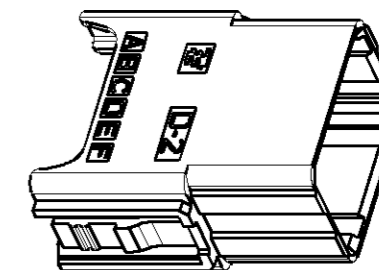
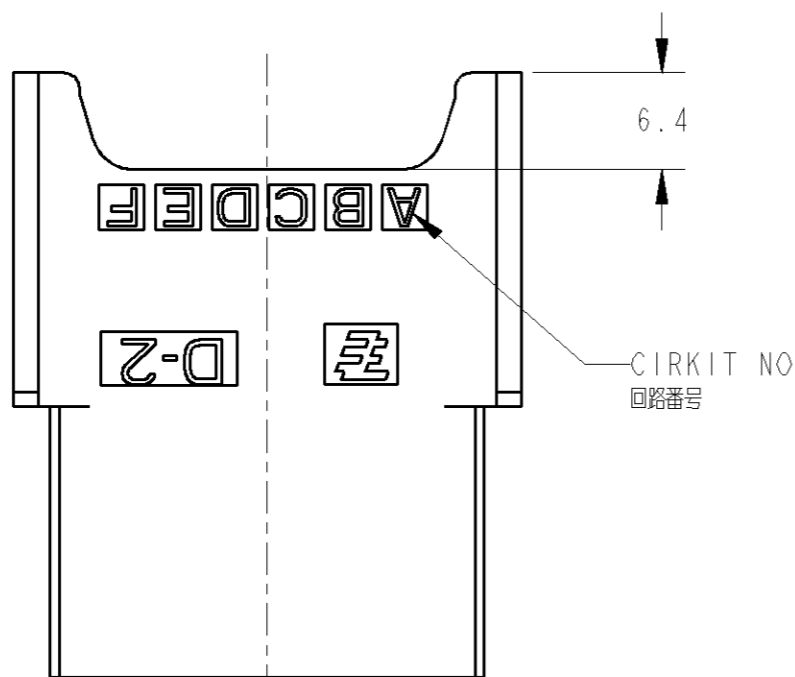
LOC  
J

DIST

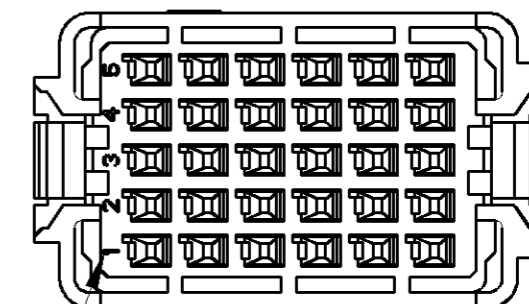
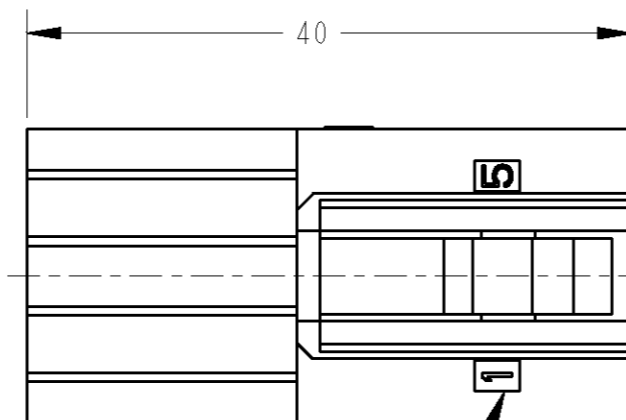
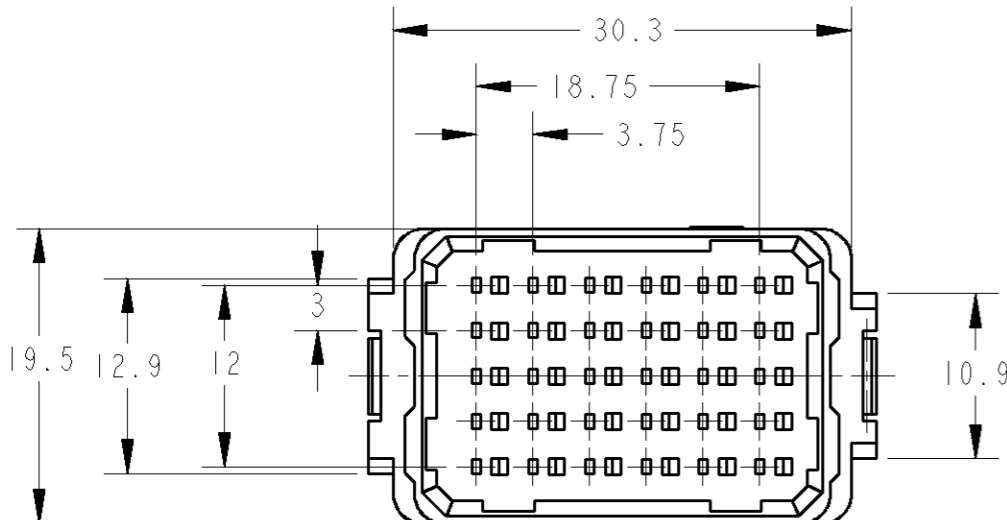
REVISIONS  
変更

P	LTR	DESCRIPTION	DATE	DWN	APVD
	B	REVISED PER ECR-10-007167	15APR2010	HMR	T.M

1747366-1:AS SHOWN



スケール 1:1

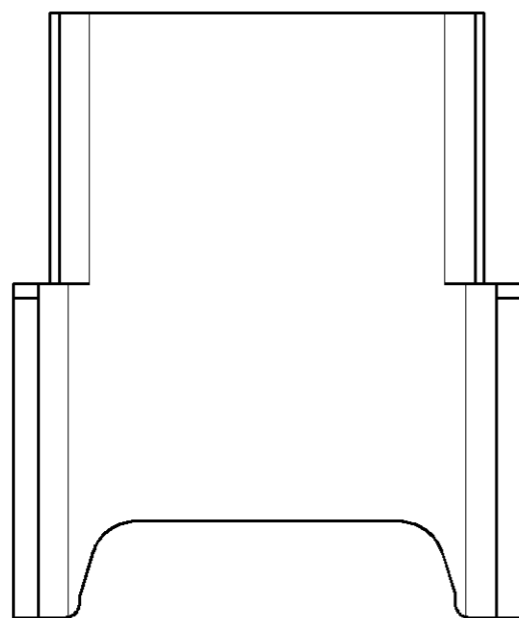


CIRKIT NO  
回路番号

CIRKIT NO  
回路番号

- 材料: ガラス入り熱可塑性ポリエステル樹脂  
色: 黒色
- HTSコネクタモジュール固定フレーム使用型番  
サイズ"3: 0-1108784-1  
サイズ"4: 0-1108783-1, 0-1108783-2  
サイズ"6: 0-1108782-1, 0-1108782-2  
サイズ"8: 0-1108780-1, 0-1108780-2

- MATERIAL: GLASS FIELD THERMO PLASTIC, POLYESTER  
COLOR: BLACK
- HTS CONNECTOR MODULE FIXATION FRAME USE P/N<sub>o</sub>  
SIZE3: 0-1108784-1  
SIZE4: 0-1108783-1, 0-1108783-2  
SIZE6: 0-1108782-1, 0-1108782-2  
SIZE8: 0-1108780-1, 0-1108780-2



THIS DRAWING IS A CONTROLLED DOCUMENT FOR TYCO ELECTRONICS CORPORATION IT IS SUBJECT TO CHANGE AND THE CONTROLLING ENGINEERING ORGANIZATION SHOULD BE CONTACTED FOR THE LATEST REVISION.		DWN T. SAKAMOTO 31AUG2005	Tyco Electronics Corporation Kawasaki, Japan				
DIMENSIONS: 単位: 概 mm		CHK D. MITSUGI 31AUG2005					
TOLERANCES UNLESS OTHERWISE SPECIFIED: 一般公差 0-PLC ± ±0.35 1-PLC ± ±3° 2-PLC ± ±3° 3-PLC ± ± 4-PLC ± ± ANGLES ± ±		APVD D. MITSUGI 31AUG2005	NAME 名称 TAB HSG30P DYNAMIC D-2800SERIES WITH HTS CONNECTOR				
MATERIAL 材料 注記参照 SEE NOTES		PRODUCT SPEC 製品規格 108-78284	SIZE A3	CAGE CODE 00779	DRAWING NO C=1747366	RESTRICTED TO	
FINISH 仕上		APPLICATION SPEC 取付適用規格 114-5258	SCALE 尺度 2:1		SHEET 1	OF 1	REV B
CUSTOMER DRAWING		WEIGHT					