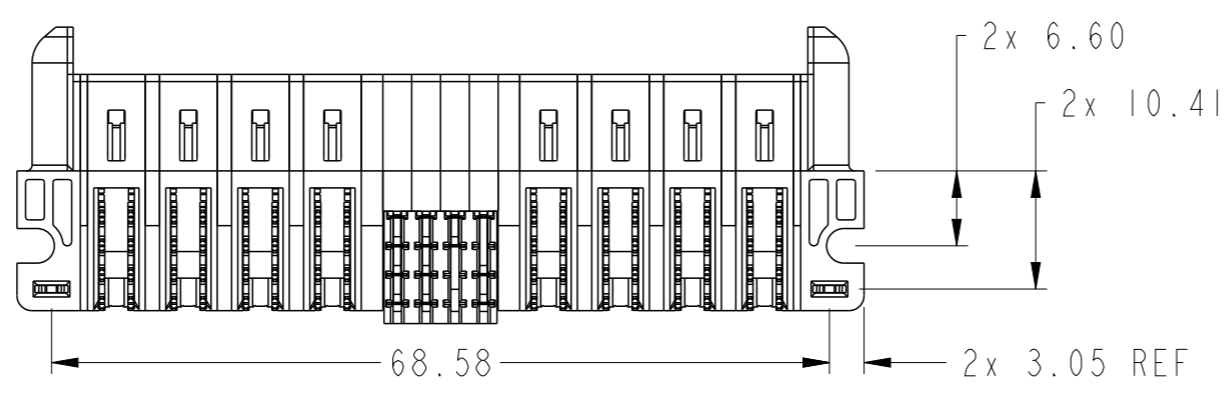
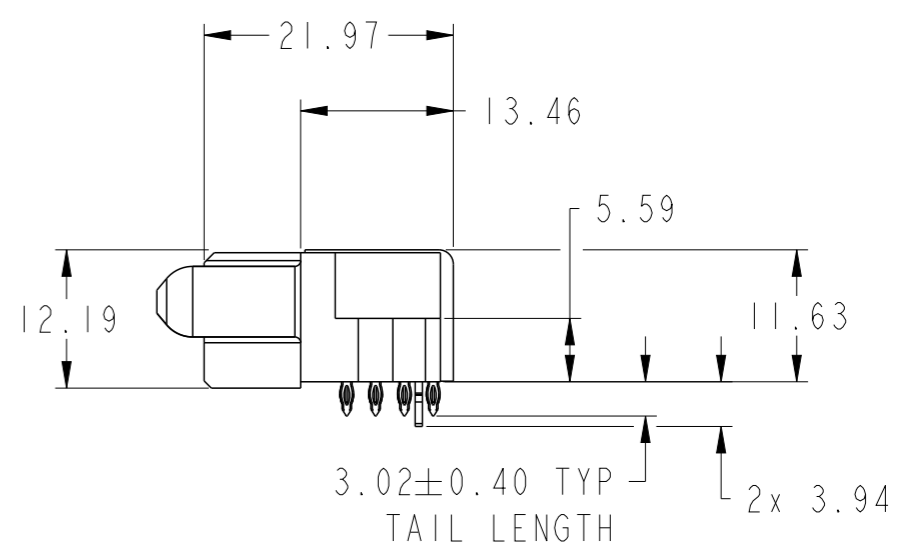
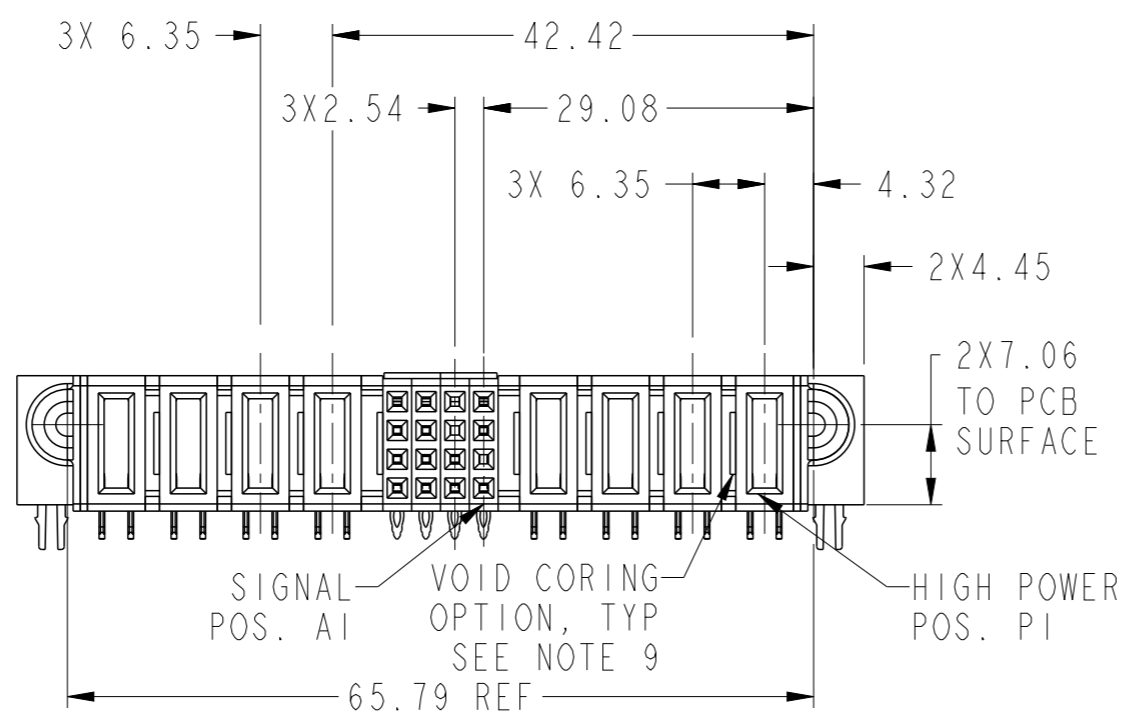
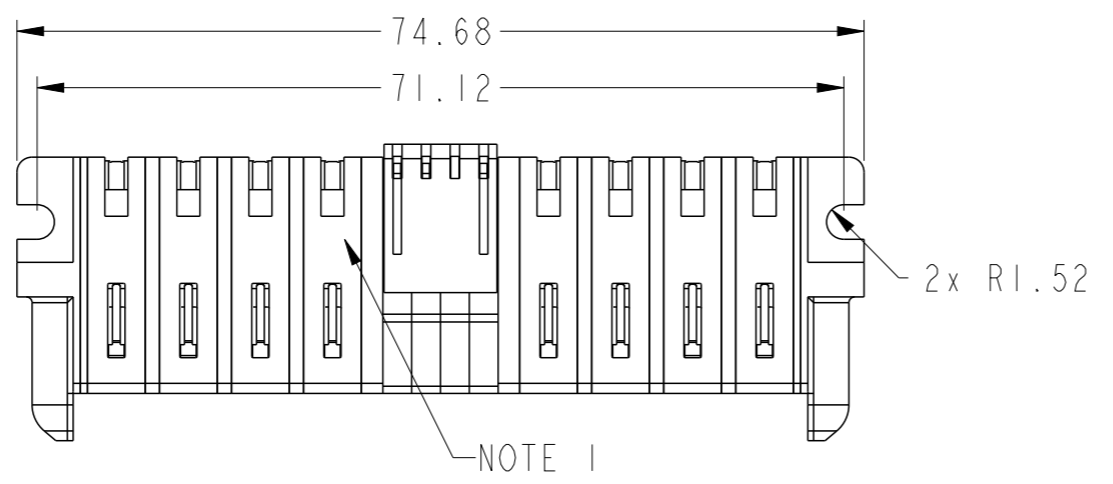


PRODUCT NUMBER SEE SHEET 2



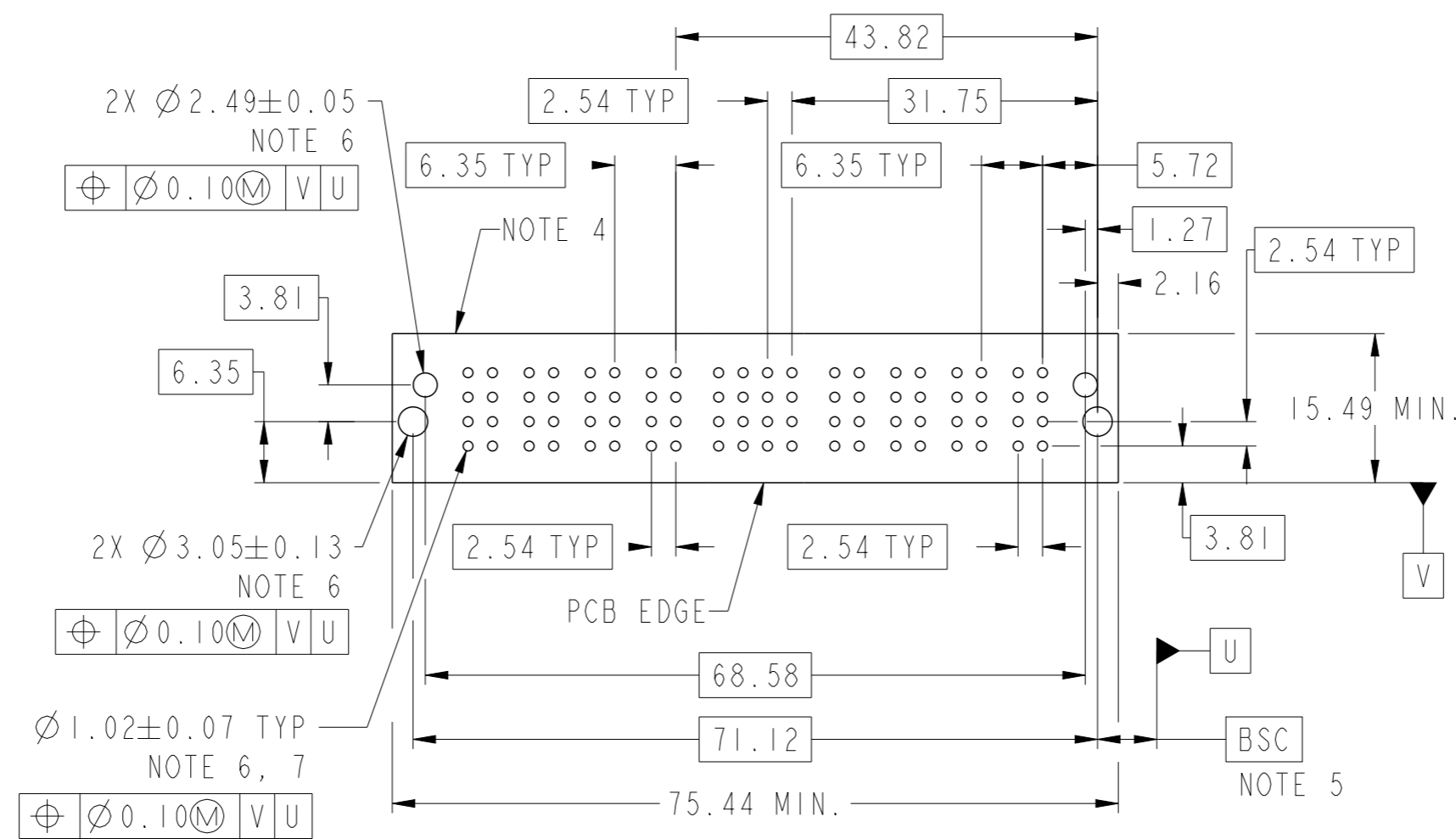
Amphenol FCI

© 2016 AFCI

|                                       |            |             |                |            |                        |    |                |                  |           |          |   |
|---------------------------------------|------------|-------------|----------------|------------|------------------------|----|----------------|------------------|-----------|----------|---|
| spec ref                              | *          | dr          | Peng-Bing Fu   | 2013/03/19 | projection             | MM | size           | A3               | scale     | 3:2      |   |
| tolerance std                         | ASME Y14.5 | eng         | Rainbow Zhan   | 2016/09/14 |                        |    | ecn no         | ELX-DG-24941-1   |           |          |   |
| TOLERANCES UNLESS OTHERWISE SPECIFIED |            | chr         | Fancy Zhang    | 2016/09/27 |                        |    | product family | PwrBlade+        | rel level | Released |   |
| surface                               | linear     | appr        | Pei-Ming Zheng | 2016/09/30 |                        |    | dwg no         | 10106127-8004002 |           | rev      | B |
| ASME Y14.5                            | angular    | www.fci.com |                | cat. no.   | Product - Customer Drw |    | sheet 1 of 3   |                  |           |          |   |
|                                       | 0.X        | ±0.5        |                |            |                        |    |                |                  |           |          |   |
|                                       | 0.XX       | ±0.25       |                |            |                        |    |                |                  |           |          |   |
|                                       | 0.XXX      | ±0.10       |                |            |                        |    |                |                  |           |          |   |
|                                       | 0°         | ±2°         |                |            |                        |    |                |                  |           |          |   |

| PRODUCT NO.        | ROWS | HIGH POWER |    |    |    | SIGNAL |   |   |   | HIGH POWER |    |    |    | E1 | E2 |
|--------------------|------|------------|----|----|----|--------|---|---|---|------------|----|----|----|----|----|
|                    |      | P8         | P7 | P6 | P5 | 4      | 3 | 2 | 1 | P4         | P3 | P2 | P1 |    |    |
| 10106127-8004002LF | DCBA | H7         | H7 | H5 | H5 | S      | S | X | S | H5         | H5 | H7 | H7 |    |    |

| CODE | DESCRIPTION                   |
|------|-------------------------------|
| H5   | MFBL HIGH POWER CONTACT(3.02) |
| H7   | STD HIGH POWER CONTACT(3.02)  |
| HA   | METAL HOLD DOWN               |
| N    | STD SIGNAL CONTACT, ROW A     |
| P    | STD SIGNAL CONTACT, ROW B     |
| R    | STD SIGNAL CONTACT, ROW C     |
| S    | STD SIGNAL CONTACT, ROW D     |
| X    | OMMITE                        |



Amphenol FCI

© 2016 AFCI

|                                       |            |             |                |            |                        |    |         |                 |              |                  |
|---------------------------------------|------------|-------------|----------------|------------|------------------------|----|---------|-----------------|--------------|------------------|
| spec ref                              | *          | dr          | Peng-Bing Fu   | 2013/03/19 | projection             | MM | size    | A3              | scale        | 3:2              |
| tolerance std                         | ASME Y14.5 | eng         | Rainbow Zhan   | 2016/09/14 |                        |    | ecn no  | ELX-DG-24941-1  | rel level    | Released         |
| TOLERANCES UNLESS OTHERWISE SPECIFIED |            | chr         | Fancy Zhang    | 2016/09/27 |                        |    |         |                 |              |                  |
| surface                               | linear     | appr        | Pei-Ming Zheng | 2016/09/30 |                        |    | part no | 4HP + 16S + 4HP | dwg no       | 10106127-8004002 |
| ASME Y14.5                            | angular    | www.fci.com |                | cat. no.   | Product - Customer Drw |    | rev     | B               | sheet 2 of 3 |                  |

NOTES:

- 1) "FCI", PART NUMBER AND DATE CODE TO BE MARKED ON THIS SURFACE.  
THE MARK CAN BE OMITTED IF THERE IS NOT ENOUGH SPACE ON THIS SURFACE.
- 2) MATERIALS:  
-HOUSING - GLASS FILLED WITH HIGH TEMP THERMOPLASTIC, UL94V-0.  
-SIGNAL CONTACT - COPPER ALLOY.  
-POWER CONTACT - HIGH CONDUCTIVITY COPPER ALLOY.
- 3) PLATING SPECIFICATION REFER TO FCI 10116351
- 4) DENOTES CONNECTOR KEEP OUT ZONE.
- 5) DATUM AND BASIC DIMENIONS WERE ESTABLISHED BY CUSTOMER.
- 6) ALL HOLE DIAMETERS ARE FINISHED HOLE SIZES.
- 7)  $1.15 \pm 0.025$ MM DRILLED HOLE PLATED WITH  $0.00762$ MM MIN Sn  
OVER  $0.0254-0.0762$ MM Cu PLATING TO ACHIEVE A  $1.02 \pm 0.07$ MM HOLE.
- 8) PRODUCT SPECIFICATION REFER TO FCI GS-12-658.  
APPLICATION SPECIFICATION REFER TO FCI GS-20-141.  
PRODUCT PACKAGED IN TRAYS, REFER TO FCI GS-14-1502.
- 9) THE VOID CORING IN BETWEEN POWER MODULES, SIGNAL  
MODULES AND END MODULES ARE OPTIONAL AND THE SHAPE  
MAY BE DIFFERENT FOR OPTIMIZE THE MOLDING PROCESS. THE  
VOID CORING WILL NOT EFFECT TO PRODUCT FUNCTION.



|                        |                |                                    |                        |        |                            |                 |           |          |  |
|------------------------|----------------|------------------------------------|------------------------|--------|----------------------------|-----------------|-----------|----------|--|
| dr                     | Peng-Bing Fu   | 2013/03/19                         | projection<br>         | MM<br> | size                       | A3              | scale     | 3:2      |  |
| eng                    | Rainbow Zhan   | 2016/09/14                         |                        |        | ecn no                     | ELX-DG-24941-1  |           |          |  |
| chr                    | Fancy Zhang    | 2016/09/27                         |                        |        | product family             | PwrBlade+       | rel level | Released |  |
| appr                   | Pei-Ming Zheng | 2016/09/30                         |                        |        |                            |                 | rel level | Released |  |
| Amphenol<br><b>FCi</b> |                | 4HP + 16S + 4HP<br>RA PFRECEPTACLE |                        |        | dwg no<br>10106127-8004002 | rev<br><b>B</b> |           |          |  |
| www.fci.com            |                | cat. no.                           | Product - Customer Drw |        |                            | sheet 3 of 3    |           |          |  |