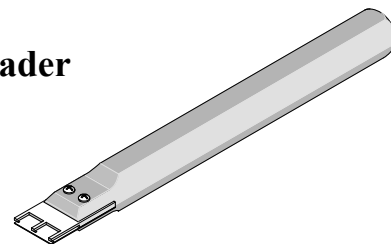




**VHDM® and VHDM-HSD™ Backplane Header  
Shield Extraction Tool  
Specification Sheet  
Order No 62201-6100**



**FEATURES**

- This tool is used for the remove damaged Backplane Shields.
- Lightweight tool that is easy to use
- See 62201-0999 VHDM® and VHDM-HSD™ Installation and Repair Tooling Operation Manual for more information on tooling, presses and repair

**SCOPE**

Products: 2.00mm (.079") Pitch VHDM® Backplane Header Module Vertical Assemblies, 8-Row, Series 74060, 74061, and 74062.  
 VHDM-H® Backplane Header Module Vertical Assemblies, 8-Row for, Series 76134, 76135, and 76136. See Product List below for specific part numbers.  
 2.00mm (.079") Pitch 8-Row VHDM-HSD™ Backplane Header, 8-Row Module Assemblies for Series 74649, 74650, and 74651.

**Product List**

The following is a partial list of the product order numbers and their specifications this tool is designed to run. Updates to this list are available on [www.molex.com](http://www.molex.com).

| Series No. and Description       | Assembly Order No. |            |            |            |            |            |
|----------------------------------|--------------------|------------|------------|------------|------------|------------|
| 74060<br>VHDM® 8-Row<br>Open End | 74060-1001         | 74060-1002 | 74060-1003 | 74060-1004 | 74060-1006 | 74060-1007 |
|                                  | 74060-1008         | 74060-1009 | 74060-1101 | 74060-1102 | 74060-1103 | 74060-1104 |
|                                  | 74060-1106         | 74060-1107 | 74060-1108 | 74060-1109 | 74060-2501 | 74060-2502 |
|                                  | 74060-2503         | 74060-2504 | 74060-2506 | 74060-2507 | 74060-2508 | 74060-2509 |
|                                  | 74060-2601         | 74060-2602 | 74060-2603 | 74060-2604 | 74060-2606 | 74060-2607 |
|                                  | 74060-2608         | 74060-2609 | 74060-8501 | 74060-8502 | 74060-8503 | 74060-8504 |
|                                  | 74060-8506         | 74060-8507 | 74060-8508 | 74060-8509 | 74060-8601 | 74060-8602 |
|                                  | 74060-8603         | 74060-8604 | 74060-8606 | 74060-8607 | 74060-8608 | 74060-8609 |
|                                  | 74060-9001         | 74060-9002 | 74060-9003 | 74060-9004 | 74060-9006 | 74060-9007 |
|                                  | 74060-9008         | 74060-9009 | 74060-9101 | 74060-9102 | 74060-9103 | 74060-9104 |
|                                  | 74060-9106         | 74060-9107 | 74060-9108 | 74060-9109 |            |            |

| Series No. and Description         | Assembly Order No.                 |            |            |            |            |            |
|------------------------------------|------------------------------------|------------|------------|------------|------------|------------|
| 74061<br>VHDM® 8-Row<br>Signal End | 74061-1001                         | 74061-1002 | 74061-1003 | 74061-1004 | 74061-1006 | 74061-1007 |
|                                    | 74061-1008                         | 74061-1009 | 74061-1011 | 74061-1012 | 74061-1013 | 74061-1014 |
|                                    | 74061-1016                         | 74061-1017 | 74061-1018 | 74061-1019 | 74061-1021 | 74061-1022 |
|                                    | 74061-1023                         | 74061-1024 | 74061-1026 | 74061-1027 | 74061-1028 | 74061-1029 |
|                                    | 74061-1031                         | 74061-1032 | 74061-1033 | 74061-1034 | 74061-1036 | 74061-1037 |
|                                    | 74061-1038                         | 74061-1039 | 74061-1041 | 74061-1042 | 74061-1043 | 74061-1044 |
|                                    | 74061-1046                         | 74061-1047 | 74061-1048 | 74061-1049 | 74061-1051 | 74061-1052 |
|                                    | 74061-1053                         | 74061-1054 | 74061-1056 | 74061-1057 | 74061-1058 | 74061-1059 |
|                                    | 74061-1061                         | 74061-1062 | 74061-1063 | 74061-1064 | 74061-1066 | 74061-1067 |
|                                    | 74061-1068                         | 74061-1069 | 74061-1071 | 74061-1072 | 74061-1073 | 74061-1074 |
|                                    | 74061-1076                         | 74061-1077 | 74061-1078 | 74061-1079 | 74061-1081 | 74061-1082 |
|                                    | 74061-1083                         | 74061-1084 | 74061-1086 | 74061-1087 | 74061-1088 | 74061-1089 |
|                                    | 74061-1101                         | 74061-1102 | 74061-1103 | 74061-1104 | 74061-1106 | 74061-1107 |
|                                    | 74061<br>VHDM® 8-Row<br>Signal End | 74061-1108 | 74061-1109 | 74061-1111 | 74061-1112 | 74061-1113 |
| 74061-1116                         |                                    | 74061-1117 | 74061-1118 | 74061-1119 | 74061-1121 | 74061-1122 |
| 74061-1123                         |                                    | 74061-1124 | 74061-1126 | 74061-1127 | 74061-1128 | 74061-1129 |
| 74061-1131                         |                                    | 74061-1132 | 74061-1133 | 74061-1134 | 74061-1136 | 74061-1137 |
| 74061-1138                         |                                    | 74061-1139 | 74061-1141 | 74061-1142 | 74061-1143 | 74061-1144 |
| 74061-1146                         |                                    | 74061-1147 | 74061-1148 | 74061-1149 | 74061-1151 | 74061-1152 |
| 74061-1153                         |                                    | 74061-1154 | 74061-1156 | 74061-1157 | 74061-1158 | 74061-1159 |
| 74061-1161                         |                                    | 74061-1162 | 74061-1163 | 74061-1164 | 74061-1166 | 74061-1167 |
| 74061-1168                         |                                    | 74061-1169 | 74061-1171 | 74061-1172 | 74061-1173 | 74061-1174 |
| 74061-1176                         |                                    | 74061-1177 | 74061-1178 | 74061-1179 | 74061-1181 | 74061-1182 |
| 74061-1183                         |                                    | 74061-1184 | 74061-1186 | 74061-1187 | 74061-1188 | 74061-1189 |
| 74061-1201                         |                                    | 74061-1202 | 74061-1203 | 74061-1204 | 74061-1206 | 74061-1207 |
| 74061-1208                         |                                    | 74061-1209 | 74061-1211 | 74061-1212 | 74061-1213 | 74061-1214 |
| 74061-1216                         |                                    | 74061-1217 | 74061-1218 | 74061-1219 | 74061-1221 | 74061-1222 |
| 74061-1223                         | 74061-1224                         | 74061-1226 | 74061-1227 | 74061-1228 | 74061-1229 |            |

| Series No. and Description | Assembly Order No. |            |            |            |            |            |
|----------------------------|--------------------|------------|------------|------------|------------|------------|
|                            | 74061-1231         | 74061-1232 | 74061-1233 | 74061-1234 | 74061-1236 | 74061-1237 |
|                            | 74061-1238         | 74061-1239 | 74061-1241 | 74061-1242 | 74061-1243 | 74061-1244 |
|                            | 74061-1246         | 74061-1247 | 74061-1248 | 74061-1249 | 74061-1251 | 74061-1252 |
|                            | 74061-1253         | 74061-1254 | 74061-1256 | 74061-1257 | 74061-1258 | 74061-1259 |
|                            | 74061-1261         | 74061-1262 | 74061-1263 | 74061-1264 | 74061-1266 | 74061-1267 |
|                            | 74061-1268         | 74061-1269 | 74061-1271 | 74061-1272 | 74061-1273 | 74061-1274 |
|                            | 74061-1276         | 74061-1277 | 74061-1278 | 74061-1279 | 74061-1281 | 74061-1282 |
|                            | 74061-1283         | 74061-1284 | 74061-1286 | 74061-1287 | 74061-1288 | 74061-1289 |
|                            | 74061-2501         | 74061-2502 | 74061-2503 | 74061-2504 | 74061-2506 | 74061-2507 |
|                            | 74061-2508         | 74061-2509 | 74061-2511 | 74061-2512 | 74061-2513 | 74061-2514 |
|                            | 74061-2516         | 74061-2517 | 74061-2518 | 74061-2519 | 74061-2521 | 74061-2522 |
|                            | 74061-2523         | 74061-2524 | 74061-2526 | 74061-2527 | 74061-2528 | 74061-2529 |
|                            | 74061-2531         | 74061-2532 | 74061-2533 | 74061-2534 | 74061-2536 | 74061-2537 |
|                            | 74061-2538         | 74061-2539 | 74061-2541 | 74061-2542 | 74061-2543 | 74061-2544 |
|                            | 74061-2546         | 74061-2547 | 74061-2548 | 74061-2549 | 74061-2551 | 74061-2552 |
|                            | 74061-2553         | 74061-2554 | 74061-2556 | 74061-2557 | 74061-2558 | 74061-2559 |
|                            | 74061-2561         | 74061-2562 | 74061-2563 | 74061-2564 | 74061-2566 | 74061-2567 |
|                            | 74061-2568         | 74061-2569 | 74061-2571 | 74061-2572 | 74061-2573 | 74061-2574 |
|                            | 74061-2576         | 74061-2577 | 74061-2578 | 74061-2579 | 74061-2581 | 74061-2582 |
|                            | 74061-2583         | 74061-2584 | 74061-2586 | 74061-2587 | 74061-2588 | 74061-2589 |
|                            | 74061-2601         | 74061-2602 | 74061-2603 | 74061-2604 | 74061-2606 | 74061-2607 |
|                            | 74061-2608         | 74061-2609 | 74061-2611 | 74061-2612 | 74061-2613 | 74061-2614 |
|                            | 74061-2616         | 74061-2617 | 74061-2618 | 74061-2619 | 74061-2621 | 74061-2622 |
|                            | 74061-2623         | 74061-2624 | 74061-2626 | 74061-2627 | 74061-2628 | 74061-2629 |
|                            | 74061-2631         | 74061-2632 | 74061-2633 | 74061-2634 | 74061-2636 | 74061-2637 |
|                            | 74061-2638         | 74061-2639 | 74061-2641 | 74061-2642 | 74061-2643 | 74061-2644 |
|                            | 74061-2646         | 74061-2647 | 74061-2648 | 74061-2649 | 74061-2651 | 74061-2652 |
|                            | 74061-2653         | 74061-2654 | 74061-2656 | 74061-2657 | 74061-2658 | 74061-2659 |

| Series No. and Description | Assembly Order No.                 |            |            |            |            |            |            |
|----------------------------|------------------------------------|------------|------------|------------|------------|------------|------------|
|                            | 74061-2661                         | 74061-2662 | 74061-2663 | 74061-2664 | 74061-2666 | 74061-2667 |            |
|                            | 74061-2668                         | 74061-2669 | 74061-2671 | 74061-2672 | 74061-2673 | 74061-2674 |            |
|                            | 74061-2676                         | 74061-2677 | 74061-2678 | 74061-2679 | 74061-2681 | 74061-2682 |            |
|                            | 74061-2683                         | 74061-2684 | 74061-2686 | 74061-2687 | 74061-2688 | 74061-2689 |            |
|                            | 74061-8501                         | 74061-8502 | 74061-8503 | 74061-8504 | 74061-8506 | 74061-8507 |            |
|                            | 74061-8508                         | 74061-8509 | 74061-8511 | 74061-8512 | 74061-8513 | 74061-8514 |            |
|                            | 74061-8516                         | 74061-8517 | 74061-8518 | 74061-8519 | 74061-8521 | 74061-8522 |            |
|                            | 74061-8523                         | 74061-8524 | 74061-8526 | 74061-8527 | 74061-8528 | 74061-8529 |            |
|                            | 74061-8531                         | 74061-8532 | 74061-8533 | 74061-8534 | 74061-8536 | 74061-8537 |            |
|                            | 74061-8538                         | 74061-8539 | 74061-8541 | 74061-8542 | 74061-8543 | 74061-8544 |            |
|                            | 74061-8546                         | 74061-8547 | 74061-8548 | 74061-8549 | 74061-8551 | 74061-8552 |            |
|                            | 74061<br>VHDM® 8-Row<br>Signal End | 74061-8553 | 74061-8554 | 74061-8556 | 74061-8557 | 74061-8558 | 74061-8559 |
|                            |                                    | 74061-8561 | 74061-8562 | 74061-8563 | 74061-8564 | 74061-8566 | 74061-8567 |
|                            |                                    | 74061-8568 | 74061-8569 | 74061-8571 | 74061-8572 | 74061-8573 | 74061-8574 |
| 74061-8576                 |                                    | 74061-8577 | 74061-8578 | 74061-8579 | 74061-8581 | 74061-8582 |            |
| 74061-8583                 |                                    | 74061-8584 | 74061-8586 | 74061-8587 | 74061-8588 | 74061-8589 |            |
| 74061-8601                 |                                    | 74061-8602 | 74061-8603 | 74061-8604 | 74061-8606 | 74061-8607 |            |
| 74061-8608                 |                                    | 74061-8609 | 74061-8611 | 74061-8612 | 74061-8613 | 74061-8614 |            |
| 74061-8616                 |                                    | 74061-8617 | 74061-8618 | 74061-8619 | 74061-8621 | 74061-8622 |            |
| 74061-8623                 |                                    | 74061-8624 | 74061-8626 | 74061-8627 | 74061-8628 | 74061-8629 |            |
| 74061-8631                 |                                    | 74061-8632 | 74061-8633 | 74061-8634 | 74061-8636 | 74061-8637 |            |
| 74061-8638                 |                                    | 74061-8639 | 74061-8641 | 74061-8642 | 74061-8643 | 74061-8644 |            |
| 74061-8646                 |                                    | 74061-8647 | 74061-8648 | 74061-8649 | 74061-8651 | 74061-8652 |            |
| 74061-8653                 |                                    | 74061-8654 | 74061-8656 | 74061-8657 | 74061-8658 | 74061-8659 |            |
| 74061-8661                 |                                    | 74061-8662 | 74061-8663 | 74061-8664 | 74061-8666 | 74061-8667 |            |
| 74061-8668                 |                                    | 74061-8669 | 74061-8671 | 74061-8672 | 74061-8673 | 74061-8674 |            |
| 74061-8676                 |                                    | 74061-8677 | 74061-8678 | 74061-8679 | 74061-8681 | 74061-8682 |            |
| 74061-8683                 |                                    | 74061-8684 | 74061-8686 | 74061-8687 | 74061-8688 | 74061-8689 |            |

| Series No. and Description | Assembly Order No. |            |            |            |            |            |
|----------------------------|--------------------|------------|------------|------------|------------|------------|
|                            | 74061-9001         | 74061-9002 | 74061-9003 | 74061-9004 | 74061-9006 | 74061-9007 |
|                            | 74061-9008         | 74061-9009 | 74061-9011 | 74061-9012 | 74061-9013 | 74061-9014 |
|                            | 74061-9016         | 74061-9017 | 74061-9018 | 74061-9019 | 74061-9021 | 74061-9022 |
|                            | 74061-9023         | 74061-9024 | 74061-9026 | 74061-9027 | 74061-9028 | 74061-9029 |
|                            | 74061-9031         | 74061-9032 | 74061-9033 | 74061-9034 | 74061-9036 | 74061-9037 |
|                            | 74061-9038         | 74061-9039 | 74061-9041 | 74061-9042 | 74061-9043 | 74061-9044 |
|                            | 74061-9046         | 74061-9047 | 74061-9048 | 74061-9049 | 74061-9051 | 74061-9052 |
|                            | 74061-9053         | 74061-9054 | 74061-9056 | 74061-9057 | 74061-9058 | 74061-9059 |
|                            | 74061-9061         | 74061-9062 | 74061-9063 | 74061-9064 | 74061-9066 | 74061-9067 |
|                            | 74061-9068         | 74061-9069 | 74061-9071 | 74061-9072 | 74061-9073 | 74061-9074 |
|                            | 74061-9076         | 74061-9077 | 74061-9078 | 74061-9079 | 74061-9081 | 74061-9082 |
|                            | 74061-9083         | 74061-9084 | 74061-9086 | 74061-9087 | 74061-9088 | 74061-9089 |
|                            | 74061-9101         | 74061-9102 | 74061-9103 | 74061-9104 | 74061-9106 | 74061-9107 |
|                            | 74061-9108         | 74061-9109 | 74061-9111 | 74061-9112 | 74061-9113 | 74061-9114 |
|                            | 74061-9116         | 74061-9117 | 74061-9118 | 74061-9119 | 74061-9121 | 74061-9122 |
|                            | 74061-9123         | 74061-9124 | 74061-9126 | 74061-9127 | 74061-9128 | 74061-9129 |
|                            | 74061-9131         | 74061-9132 | 74061-9133 | 74061-9134 | 74061-9136 | 74061-9137 |
|                            | 74061-9138         | 74061-9139 | 74061-9141 | 74061-9142 | 74061-9143 | 74061-9144 |
|                            | 74061-9146         | 74061-9147 | 74061-9148 | 74061-9149 | 74061-9151 | 74061-9152 |
|                            | 74061-9153         | 74061-9154 | 74061-9156 | 74061-9157 | 74061-9158 | 74061-9159 |
|                            | 74061-9161         | 74061-9162 | 74061-9163 | 74061-9164 | 74061-9166 | 74061-9167 |
|                            | 74061-9168         | 74061-9169 | 74061-9171 | 74061-9172 | 74061-9173 | 74061-9174 |
|                            | 74061-9176         | 74061-9177 | 74061-9178 | 74061-9179 | 74061-9181 | 74061-9182 |
|                            | 74061-9183         | 74061-9184 | 74061-9186 | 74061-9187 | 74061-9188 | 74061-9189 |
|                            | 74061-9201         | 74061-9202 | 74061-9203 | 74061-9204 | 74061-9206 | 74061-9207 |
|                            | 74061-9208         | 74061-9209 | 74061-9211 | 74061-9212 | 74061-9213 | 74061-9214 |
|                            | 74061-9216         | 74061-9217 | 74061-9218 | 74061-9219 | 74061-9221 | 74061-9222 |
|                            | 74061-9223         | 74061-9224 | 74061-9226 | 74061-9227 | 74061-9228 | 74061-9229 |

| Series No. and Description         | Assembly Order No. |            |            |            |            |            |
|------------------------------------|--------------------|------------|------------|------------|------------|------------|
|                                    | 74061-9231         | 74061-9232 | 74061-9233 | 74061-9234 | 74061-9236 | 74061-9237 |
|                                    | 74061-9238         | 74061-9239 | 74061-9241 | 74061-9242 | 74061-9243 | 74061-9244 |
|                                    | 74061-9246         | 74061-9247 | 74061-9248 | 74061-9249 | 74061-9251 | 74061-9252 |
|                                    | 74061-9253         | 74061-9254 | 74061-9256 | 74061-9257 | 74061-9258 | 74061-9259 |
|                                    | 74061-9261         | 74061-9262 | 74061-9263 | 74061-9264 | 74061-9266 | 74061-9267 |
|                                    | 74061-9268         | 74061-9269 | 74061-9271 | 74061-9272 | 74061-9273 | 74061-9274 |
|                                    | 74061-9276         | 74061-9277 | 74061-9278 | 74061-9279 | 74061-9281 | 74061-9282 |
|                                    | 74061-9283         | 74061-9284 | 74061-9286 | 74061-9287 | 74061-9288 | 74061-9289 |
| 74062 VHDM®<br>8-Row, Shield End   | 74062-1001         | 74062-1002 | 74062-1003 | 74062-1004 | 74062-1006 | 74062-1007 |
|                                    | 74062-1008         | 74062-1009 | 74062-1011 | 74062-1012 | 74062-1013 | 74062-1014 |
| 74062<br>VHDM® 8-Row<br>Shield End | 74062-1016         | 74062-1017 | 74062-1018 | 74062-1019 | 74062-1021 | 74062-1022 |
|                                    | 74062-1023         | 74062-1024 | 74062-1026 | 74062-1027 | 74062-1028 | 74062-1029 |
|                                    | 74062-1031         | 74062-1032 | 74062-1033 | 74062-1034 | 74062-1036 | 74062-1037 |
|                                    | 74062-1038         | 74062-1039 | 74062-1041 | 74062-1042 | 74062-1043 | 74062-1044 |
|                                    | 74062-1046         | 74062-1047 | 74062-1048 | 74062-1049 | 74062-1051 | 74062-1052 |
|                                    | 74062-1053         | 74062-1054 | 74062-1056 | 74062-1057 | 74062-1058 | 74062-1059 |
|                                    | 74062-1061         | 74062-1062 | 74062-1063 | 74062-1064 | 74062-1066 | 74062-1067 |
|                                    | 74062-1068         | 74062-1069 | 74062-1071 | 74062-1072 | 74062-1073 | 74062-1074 |
|                                    | 74062-1076         | 74062-1077 | 74062-1078 | 74062-1079 | 74062-1081 | 74062-1082 |
|                                    | 74062-1083         | 74062-1084 | 74062-1086 | 74062-1087 | 74062-1088 | 74062-1089 |
|                                    | 74062-1101         | 74062-1102 | 74062-1103 | 74062-1104 | 74062-1106 | 74062-1107 |
|                                    | 74062-1108         | 74062-1109 | 74062-1111 | 74062-1112 | 74062-1113 | 74062-1114 |
|                                    | 74062-1116         | 74062-1117 | 74062-1118 | 74062-1119 | 74062-1121 | 74062-1122 |
|                                    | 74062-1123         | 74062-1124 | 74062-1126 | 74062-1127 | 74062-1128 | 74062-1129 |
|                                    | 74062-1131         | 74062-1132 | 74062-1133 | 74062-1134 | 74062-1136 | 74062-1137 |
|                                    | 74062-1138         | 74062-1139 | 74062-1141 | 74062-1142 | 74062-1143 | 74062-1144 |
|                                    | 74062-1146         | 74062-1147 | 74062-1148 | 74062-1149 | 74062-1151 | 74062-1152 |
|                                    | 74062-1153         | 74062-1154 | 74062-1156 | 74062-1157 | 74062-1158 | 74062-1159 |

| Series No. and Description | Assembly Order No. |            |            |            |            |            |
|----------------------------|--------------------|------------|------------|------------|------------|------------|
|                            | 74062-1161         | 74062-1162 | 74062-1163 | 74062-1164 | 74062-1166 | 74062-1167 |
|                            | 74062-1168         | 74062-1169 | 74062-1171 | 74062-1172 | 74062-1173 | 74062-1174 |
|                            | 74062-1176         | 74062-1177 | 74062-1178 | 74062-1179 | 74062-1181 | 74062-1182 |
|                            | 74062-1183         | 74062-1184 | 74062-1186 | 74062-1187 | 74062-1188 | 74062-1189 |
|                            | 74062-2501         | 74062-2502 | 74062-2503 | 74062-2504 | 74062-2506 | 74062-2507 |
|                            | 74062-2508         | 74062-2509 | 74062-2511 | 74062-2512 | 74062-2513 | 74062-2514 |
|                            | 74062-2516         | 74062-2517 | 74062-2518 | 74062-2519 | 74062-2521 | 74062-2522 |
|                            | 74062-2523         | 74062-2524 | 74062-2526 | 74062-2527 | 74062-2528 | 74062-2529 |
|                            | 74062-2531         | 74062-2532 | 74062-2533 | 74062-2534 | 74062-2536 | 74062-2537 |
|                            | 74062-2538         | 74062-2539 | 74062-2541 | 74062-2542 | 74062-2543 | 74062-2544 |
|                            | 74062-2546         | 74062-2547 | 74062-2548 | 74062-2549 | 74062-2551 | 74062-2552 |
|                            | 74062-2553         | 74062-2554 | 74062-2556 | 74062-2557 | 74062-2558 | 74062-2559 |
|                            | 74062-2561         | 74062-2562 | 74062-2563 | 74062-2564 | 74062-2566 | 74062-2567 |
|                            | 74062-2568         | 74062-2569 | 74062-2571 | 74062-2572 | 74062-2573 | 74062-2574 |
|                            | 74062-2576         | 74062-2577 | 74062-2578 | 74062-2579 | 74062-2581 | 74062-2582 |
|                            | 74062-2583         | 74062-2584 | 74062-2586 | 74062-2587 | 74062-2588 | 74062-2589 |
|                            | 74062-2601         | 74062-2602 | 74062-2603 | 74062-2604 | 74062-2606 | 74062-2607 |
|                            | 74062-2608         | 74062-2609 | 74062-2611 | 74062-2612 | 74062-2613 | 74062-2614 |
|                            | 74062-2616         | 74062-2617 | 74062-2618 | 74062-2619 | 74062-2621 | 74062-2622 |
|                            | 74062-2623         | 74062-2624 | 74062-2626 | 74062-2627 | 74062-2628 | 74062-2629 |
|                            | 74062-2631         | 74062-2632 | 74062-2633 | 74062-2634 | 74062-2636 | 74062-2637 |
|                            | 74062-2638         | 74062-2639 | 74062-2641 | 74062-2642 | 74062-2643 | 74062-2644 |
|                            | 74062-2646         | 74062-2647 | 74062-2648 | 74062-2649 | 74062-2651 | 74062-2652 |
|                            | 74062-2653         | 74062-2654 | 74062-2656 | 74062-2657 | 74062-2658 | 74062-2659 |
|                            | 74062-2661         | 74062-2662 | 74062-2663 | 74062-2664 | 74062-2666 | 74062-2667 |
|                            | 74062-2668         | 74062-2669 | 74062-2671 | 74062-2672 | 74062-2673 | 74062-2674 |
|                            | 74062-2676         | 74062-2677 | 74062-2678 | 74062-2679 | 74062-2681 | 74062-2682 |
|                            | 74062-2683         | 74062-2684 | 74062-2686 | 74062-2687 | 74062-2688 | 74062-2689 |

| Series No. and Description | Assembly Order No.                 |            |            |            |            |            |
|----------------------------|------------------------------------|------------|------------|------------|------------|------------|
|                            | 74062-8501                         | 74062-8502 | 74062-8503 | 74062-8504 | 74062-8506 | 74062-8507 |
|                            | 74062-8508                         | 74062-8509 | 74062-8511 | 74062-8512 | 74062-8513 | 74062-8514 |
|                            | 74062-8516                         | 74062-8517 | 74062-8518 | 74062-8519 | 74062-8521 | 74062-8522 |
|                            | 74062-8523                         | 74062-8524 | 74062-8526 | 74062-8527 | 74062-8528 | 74062-8529 |
|                            | 74062-8531                         | 74062-8532 | 74062-8533 | 74062-8534 | 74062-8536 | 74062-8537 |
|                            | 74062-8538                         | 74062-8539 | 74062-8541 | 74062-8542 | 74062-8543 | 74062-8544 |
|                            | 74062-8546                         | 74062-8547 | 74062-8548 | 74062-8549 | 74062-8551 | 74062-8552 |
|                            | 74062-8553                         | 74062-8554 | 74062-8556 | 74062-8557 | 74062-8558 | 74062-8559 |
|                            | 74062-8561                         | 74062-8562 | 74062-8563 | 74062-8564 | 74062-8566 | 74062-8567 |
|                            | 74062<br>VHDM® 8-Row<br>Shield End | 74062-8568 | 74062-8569 | 74062-8571 | 74062-8572 | 74062-8573 |
| 74062-8576                 |                                    | 74062-8577 | 74062-8578 | 74062-8579 | 74062-8581 | 74062-8582 |
| 74062-8583                 |                                    | 74062-8584 | 74062-8586 | 74062-8587 | 74062-8588 | 74062-8589 |
| 74062-8601                 |                                    | 74062-8602 | 74062-8603 | 74062-8604 | 74062-8606 | 74062-8607 |
| 74062-8608                 |                                    | 74062-8609 | 74062-8611 | 74062-8612 | 74062-8613 | 74062-8614 |
| 74062-8616                 |                                    | 74062-8617 | 74062-8618 | 74062-8619 | 74062-8621 | 74062-8622 |
| 74062-8623                 |                                    | 74062-8624 | 74062-8626 | 74062-8627 | 74062-8628 | 74062-8629 |
| 74062-8631                 |                                    | 74062-8632 | 74062-8633 | 74062-8634 | 74062-8636 | 74062-8637 |
| 74062-8638                 |                                    | 74062-8639 | 74062-8641 | 74062-8642 | 74062-8643 | 74062-8644 |
| 74062-8646                 |                                    | 74062-8647 | 74062-8648 | 74062-8649 | 74062-8651 | 74062-8652 |
| 74062-8653                 |                                    | 74062-8654 | 74062-8656 | 74062-8657 | 74062-8658 | 74062-8659 |
| 74062-8661                 |                                    | 74062-8662 | 74062-8663 | 74062-8664 | 74062-8666 | 74062-8667 |
| 74062-8668                 |                                    | 74062-8669 | 74062-8671 | 74062-8672 | 74062-8673 | 74062-8674 |
| 74062-8676                 |                                    | 74062-8677 | 74062-8678 | 74062-8679 | 74062-8681 | 74062-8682 |
| 74062-8683                 |                                    | 74062-8684 | 74062-8686 | 74062-8687 | 74062-8688 | 74062-8689 |
| 74062-9001                 |                                    | 74062-9002 | 74062-9003 | 74062-9004 | 74062-9006 | 74062-9007 |
| 74062-9008                 |                                    | 74062-9009 | 74062-9011 | 74062-9012 | 74062-9013 | 74062-9014 |
| 74062-9016                 |                                    | 74062-9017 | 74062-9018 | 74062-9019 | 74062-9021 | 74062-9022 |
| 74062-9023                 |                                    | 74062-9024 | 74062-9026 | 74062-9027 | 74062-9028 | 74062-9029 |



| Series No. and Description                               | Assembly Order No. |            |            |            |            |            |
|--|--------------------|------------|------------|------------|------------|------------|
|  | 74062-9031         | 74062-9032 | 74062-9033 | 74062-9034 | 74062-9036 | 74062-9037 |
|  | 74062-9038         | 74062-9039 | 74062-9041 | 74062-9042 | 74062-9043 | 74062-9044 |
|  | 74062-9046         | 74062-9047 | 74062-9048 | 74062-9049 | 74062-9051 | 74062-9052 |
|  | 74062-9053         | 74062-9054 | 74062-9056 | 74062-9057 | 74062-9058 | 74062-9059 |
|  | 74062-9061         | 74062-9062 | 74062-9063 | 74062-9064 | 74062-9066 | 74062-9067 |
|  | 74062-9068         | 74062-9069 | 74062-9071 | 74062-9072 | 74062-9073 | 74062-9074 |
|  | 74062-9076         | 74062-9077 | 74062-9078 | 74062-9079 | 74062-9081 | 74062-9082 |
|  | 74062-9083         | 74062-9084 | 74062-9086 | 74062-9087 | 74062-9088 | 74062-9089 |
|  | 74062-9101         | 74062-9102 | 74062-9103 | 74062-9104 | 74062-9106 | 74062-9107 |
|  | 74062-9108         | 74062-9109 | 74062-9111 | 74062-9112 | 74062-9113 | 74062-9114 |
|  | 74062-9116         | 74062-9117 | 74062-9118 | 74062-9119 | 74062-9121 | 74062-9122 |
|  | 74062-9123         | 74062-9124 | 74062-9126 | 74062-9127 | 74062-9128 | 74062-9129 |
|  | 74062-9131         | 74062-9132 | 74062-9133 | 74062-9134 | 74062-9136 | 74062-9137 |
|  | 74062-9138         | 74062-9139 | 74062-9141 | 74062-9142 | 74062-9143 | 74062-9144 |
|  | 74062-9146         | 74062-9147 | 74062-9148 | 74062-9149 | 74062-9151 | 74062-9152 |
|  | 74062-9153         | 74062-9154 | 74062-9156 | 74062-9157 | 74062-9158 | 74062-9159 |
|  | 74062-9161         | 74062-9162 | 74062-9163 | 74062-9164 | 74062-9166 | 74062-9167 |
|  | 74062-9168         | 74062-9169 | 74062-9171 | 74062-9172 | 74062-9173 | 74062-9174 |
|  | 74062-9176         | 74062-9177 | 74062-9178 | 74062-9179 | 74062-9181 | 74062-9182 |
|  | 74062-9183         | 74062-9184 | 74062-9186 | 74062-9187 | 74062-9188 | 74062-9189 |
| 74649<br>VHDM-HSD <sup>™</sup> Series<br>8-Row, Open End | 74649-1001         | 74649-1002 | 74649-1003 | 74649-1004 | 74649-1006 | 74649-1007 |
|  | 74649-1008         | 74649-1009 | 74649-1101 | 74649-1102 | 74649-1103 | 74649-1104 |
|  | 74649-1106         | 74649-1107 | 74649-1108 | 74649-1109 | 74649-2501 | 74649-2502 |
|  | 74649-2503         | 74649-2504 | 74649-2506 | 74649-2507 | 74649-2508 | 74649-2509 |
|  | 74649-2601         | 74649-2602 | 74649-2603 | 74649-2604 | 74649-2606 | 74649-2607 |
|  | 74649-2608         | 74649-2609 | 74649-8501 | 74649-8502 | 74649-8503 | 74649-8504 |
|  | 74649-8506         | 74649-8507 | 74649-8508 | 74649-8509 | 74649-8601 | 74649-8602 |
|  | 74649-8603         | 74649-8604 | 74649-8606 | 74649-8607 | 74649-8608 | 74649-8609 |

| Series No. and Description                     | Assembly Order No. |            |            |            |            |            |
|--|--------------------|------------|------------|------------|------------|------------|
|  | 74649-9001         | 74649-9002 | 74649-9003 | 74649-9004 | 74649-9006 | 74649-9007 |
|  | 74649-9008         | 74649-9009 | 74649-9101 | 74649-9102 | 74649-9103 | 74649-9104 |
|  | 74649-9106         | 74649-9107 | 74649-9108 | 74649-9109 |            |            |
| 74650<br>VHDM-HSD™ Series<br>8-Row, Signal End | 74650-1001         | 74650-1002 | 74650-1003 | 74650-1004 | 74650-1006 | 74650-1007 |
|  | 74650-1008         | 74650-1009 | 74650-1101 | 74650-1102 | 74650-1103 | 74650-1104 |
|  | 74650-1106         | 74650-1107 | 74650-1108 | 74650-1109 | 74650-2501 | 74650-2502 |
|  | 74650-2503         | 74650-2504 | 74650-2506 | 74650-2507 | 74650-2508 | 74650-2509 |
|  | 74650-2601         | 74650-2602 | 74650-2603 | 74650-2604 | 74650-2606 | 74650-2607 |
| 74650<br>VHDM-HSD™ Series<br>8-Row, Signal End | 74650-2608         | 74650-2609 | 74650-8501 | 74650-8502 | 74650-8503 | 74650-8504 |
|  | 74650-8506         | 74650-8507 | 74650-8508 | 74650-8509 | 74650-8601 | 74650-8602 |
|  | 74650-8603         | 74650-8604 | 74650-8606 | 74650-8607 | 74650-8608 | 74650-8609 |
|  | 74650-9001         | 74650-9002 | 74650-9003 | 74650-9004 | 74650-9006 | 74650-9007 |
|  | 74650-9008         | 74650-9009 | 74650-9101 | 74650-9102 | 74650-9103 | 74650-9104 |
|  | 74650-9106         | 74650-9107 | 74650-9108 | 74650-9109 |            |            |
| 74651<br>VHDM-HSD™ Series<br>8-Row, Shield End | 74651-1001         | 74651-1002 | 74651-1003 | 74651-1004 | 74651-1006 | 74651-1007 |
|  | 74651-1008         | 74651-1009 | 74651-1101 | 74651-1102 | 74651-1103 | 74651-1104 |
|  | 74651-1106         | 74651-1107 | 74651-1108 | 74651-1109 | 74651-2501 | 74651-2502 |
|  | 74651-2503         | 74651-2504 | 74651-2506 | 74651-2507 | 74651-2508 | 74651-2509 |
|  | 74651-2601         | 74651-2602 | 74651-2603 | 74651-2604 | 74651-2606 | 74651-2607 |
|  | 74651-2608         | 74651-2609 | 74651-8501 | 74651-8502 | 74651-8503 | 74651-8504 |
|  | 74651-8506         | 74651-8507 | 74651-8508 | 74651-8509 | 74651-8601 | 74651-8602 |
|  | 74651-8603         | 74651-8604 | 74651-8606 | 74651-8607 | 74651-8608 | 74651-8609 |
|  | 74651-9001         | 74651-9002 | 74651-9003 | 74651-9004 | 74651-9006 | 74651-9007 |
|  | 74651-9008         | 74651-9009 | 74651-9101 | 74651-9102 | 74651-9103 | 74651-9104 |
|  | 74651-9106         | 74651-9107 | 74651-9108 | 74651-9109 |            |            |
| 76134<br>VHDM® H- Series<br>8-Row, Open End    | 76134-1001         | 76134-1002 | 76134-1003 | 76134-1004 | 76134-2501 | 76134-2502 |
|  | 76134-2503         | 76134-2504 | 76134-8501 | 76134-8502 | 76134-8503 | 76134-8504 |

| Series No. and Description                    | Assembly Order No. |            |            |            |            |            |
|---|--------------------|------------|------------|------------|------------|------------|
|   | 76134-9001         | 76134-9002 | 76134-9003 | 76134-9004 |            |            |
| 76135<br>VHDM® H- Series<br>8-Row, Shield End | 76135-1001         | 76135-1002 | 76135-1003 | 76135-1004 | 76135-1011 | 76135-1012 |
|   | 76135-1013         | 76135-1014 | 76135-1021 | 76135-1022 | 76135-1023 | 76135-1024 |
|   | 76135-1031         | 76135-1032 | 76135-1033 | 76135-1034 | 76135-1041 | 76135-1042 |
|   | 76135-1043         | 76135-1044 | 76135-1051 | 76135-1052 | 76135-1053 | 76135-1054 |
|   | 76135-1061         | 76135-1062 | 76135-1063 | 76135-1064 | 76135-1071 | 76135-1072 |
|   | 76135-1073         | 76135-1074 | 76135-1081 | 76135-1082 | 76135-1083 | 76135-1084 |
|   | 76135-2501         | 76135-2502 | 76135-2503 | 76135-2504 | 76135-2511 | 76135-2512 |
|   | 76135-2513         | 76135-2514 | 76135-2521 | 76135-2522 | 76135-2523 | 76135-2524 |
|   | 76135-2531         | 76135-2532 | 76135-2533 | 76135-2534 | 76135-2541 | 76135-2542 |
|   | 76135-2543         | 76135-2544 | 76135-2551 | 76135-2552 | 76135-2553 | 76135-2554 |
|   | 76135-2561         | 76135-2562 | 76135-2563 | 76135-2564 | 76135-2571 | 76135-2572 |
|   | 76135-2573         | 76135-2574 | 76135-2581 | 76135-2582 | 76135-2583 | 76135-2584 |
|   | 76135-8501         | 76135-8502 | 76135-8503 | 76135-8504 | 76135-8511 | 76135-8512 |
|   | 76135-8513         | 76135-8514 | 76135-8521 | 76135-8522 | 76135-8523 | 76135-8524 |
|   | 76135-8531         | 76135-8532 | 76135-8533 | 76135-8534 | 76135-8541 | 76135-8542 |
|   | 76135-8543         | 76135-8544 | 76135-8551 | 76135-8552 | 76135-8553 | 76135-8554 |
|   | 76135-8561         | 76135-8562 | 76135-8563 | 76135-8564 | 76135-8571 | 76135-8572 |
|   | 76135-8573         | 76135-8574 | 76135-8581 | 76135-8582 | 76135-8583 | 76135-8584 |
|   | 76135-9001         | 76135-9002 | 76135-9003 | 76135-9004 | 76135-9011 | 76135-9012 |
|   | 76135-9013         | 76135-9014 | 76135-9021 | 76135-9022 | 76135-9023 | 76135-9024 |
|   | 76135-9031         | 76135-9032 | 76135-9033 | 76135-9034 | 76135-9041 | 76135-9042 |
|   | 76135-9043         | 76135-9044 | 76135-9051 | 76135-9052 | 76135-9053 | 76135-9054 |
|   | 76135-9061         | 76135-9062 | 76135-9063 | 76135-9064 | 76135-9071 | 76135-9072 |
|   | 76135-9073         | 76135-9074 | 76135-9081 | 76135-9082 | 76135-9083 | 76135-9084 |
| 76136<br>VHDM-H® 8-Row<br>Shield End          | 76136-1001         | 76136-1002 | 76136-1003 | 76136-1004 | 76136-1011 | 76136-1012 |
|   | 76136-1013         | 76136-1014 | 76136-1021 | 76136-1022 | 76136-1023 | 76136-1024 |

| Series No. and Description                       | Assembly Order No. |            |            |            |            |            |
|--|--------------------|------------|------------|------------|------------|------------|
|  | 76136-1031         | 76136-1032 | 76136-1033 | 76136-1034 | 76136-1041 | 76136-1042 |
|  | 76136-1043         | 76136-1044 | 76136-1051 | 76136-1052 | 76136-1053 | 76136-1054 |
|  | 76136-1061         | 76136-1062 | 76136-1063 | 76136-1064 | 76136-1071 | 76136-1072 |
|  | 76136-1073         | 76136-1074 | 76136-1081 | 76136-1082 | 76136-1083 | 76136-1084 |
|  | 76136-2501         | 76136-2502 | 76136-2503 | 76136-2504 | 76136-2511 | 76136-2512 |
|  | 76136-2513         | 76136-2514 | 76136-2521 | 76136-2522 | 76136-2523 | 76136-2524 |
|  | 76136-2531         | 76136-2532 | 76136-2533 | 76136-2534 | 76136-2541 | 76136-2542 |
|  | 76136-2543         | 76136-2544 | 76136-2551 | 76136-2552 | 76136-2553 | 76136-2554 |
|  | 76136-2561         | 76136-2562 | 76136-2563 | 76136-2564 | 76136-2571 | 76136-2572 |
|  | 76136-2573         | 76136-2574 | 76136-2581 | 76136-2582 | 76136-2583 | 76136-2584 |
| 76136<br>VHDM-H <sup>®</sup> 8-Row<br>Shield End | 76136-8501         | 76136-8502 | 76136-8503 | 76136-8504 | 76136-8511 | 76136-8512 |
|  | 76136-8513         | 76136-8514 | 76136-8521 | 76136-8522 | 76136-8523 | 76136-8524 |
|  | 76136-8531         | 76136-8532 | 76136-8533 | 76136-8534 | 76136-8541 | 76136-8542 |
|  | 76136-8543         | 76136-8544 | 76136-8551 | 76136-8552 | 76136-8553 | 76136-8554 |
|  | 76136-8561         | 76136-8562 | 76136-8563 | 76136-8564 | 76136-8571 | 76136-8572 |
|  | 76136-8573         | 76136-8574 | 76136-8581 | 76136-8582 | 76136-8583 | 76136-8584 |
|  | 76136-9001         | 76136-9002 | 76136-9003 | 76136-9004 | 76136-9011 | 76136-9012 |
|  | 76136-9013         | 76136-9014 | 76136-9021 | 76136-9022 | 76136-9023 | 76136-9024 |
|  | 76136-9031         | 76136-9032 | 76136-9033 | 76136-9034 | 76136-9041 | 76136-9042 |
|  | 76136-9043         | 76136-9044 | 76136-9051 | 76136-9052 | 76136-9053 | 76136-9054 |
|  | 76136-9061         | 76136-9062 | 76136-9063 | 76136-9064 | 76136-9071 | 76136-9072 |
|  | 76136-9073         | 76136-9074 | 76136-9081 | 76136-9082 | 76136-9083 | 76136-9084 |

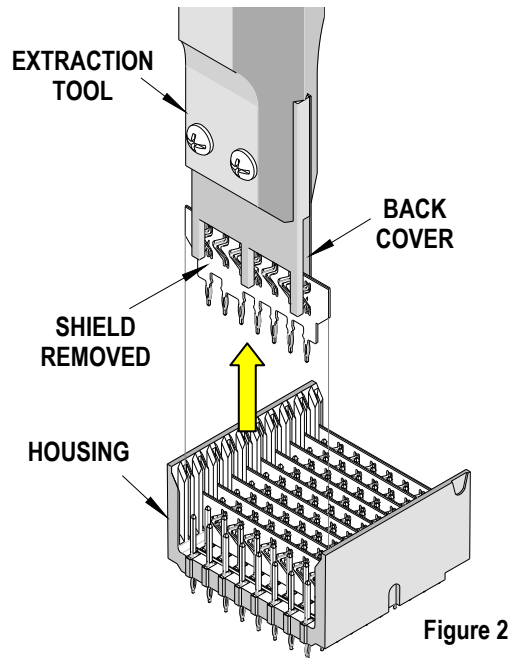
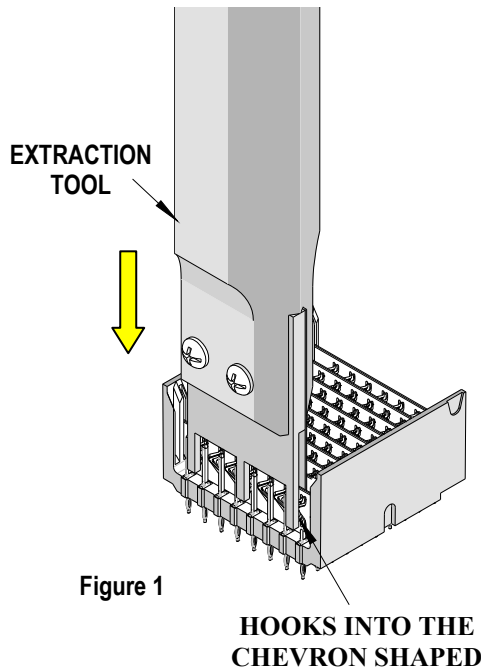
\* VHDM<sup>®</sup> and VHDM-HSD<sup>™</sup> are registered trademarks of Amphenol Corporation.

**DESCRIPTION:**

This extraction tool removes damaged Backplane shields from module for 6-pair \* VHDM<sup>®</sup>, VHDM<sup>®</sup>-H, and VHDM-HSD<sup>™</sup> backplane header assemblies.

**OPERATION:**

1. Locate the damaged shield in the housing.
2. Slide the removal tool over the shield so the shield is between the hooks and the back cover on the tool.
3. Fasten the (3) hooks of the extraction tool into the chevron shaped slots in the shield. See Figure 1.
4. When the hooks are secured into the shield, pull straight up to remove the shield. See Figure 2.



**CAUTION:** Be careful not to place any fingers near the shield to be removed. It may break loose from the housing when being pulled out and can cause injury to fingers.

5. To remove the shield from the extraction tool, push the shield upward and against the back cover.
6. Slide the shield to one side of the tool and pull out.
7. Use the 62201-5900 (8-Row) Shield Replacement Tool to replace the damaged shields. See ATS-622015900 specification sheet for instructions.

Molex does not offer repair parts for this tool due to the inexpensive nature of the tool.

## Maintenance

It is recommended that each operator of the tool be made aware of, and responsible for, the following maintenance steps:

1. Remove dust, moisture, and other contaminants with a clean brush, or soft, lint free cloth.
2. Do not use any abrasive materials that could damage the tool.
3. When tool is not in use, store in a clean, dry area.

**CAUTION: Molex specifications are valid only when used with Molex connectors and tooling.**

## Contact Information

For more information on Molex application tooling please contact Molex at 1-800-786-6539.

**Americas  
Headquarters**  
Lisle, Illinois 60532  
U.S.A.  
1-800-78MOLEX  
amerinfo@molex.com

**Far East North  
Headquarters**  
Yamato, Kanagawa, Japan  
81-462-65-2324  
feninfo@molex.com

**Far East South  
Headquarters**  
Jurong, Singapore  
65-6-268-6868  
fesinfo@molex.com

**European  
Headquarters**  
Munich, Germany  
49-89-413092-0  
eurinfo@molex.com

**Corporate  
Headquarters**  
2222 Wellington Ct.  
Lisle, IL 60532 U.S.A.  
630-969-4550  
Fax: 630-969-1352

Visit our Web site at <http://www.molex.com>