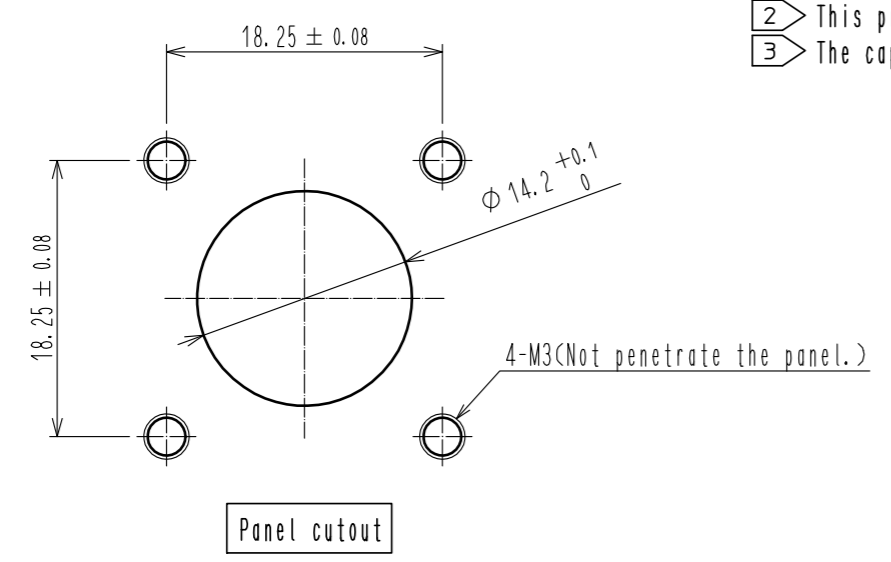
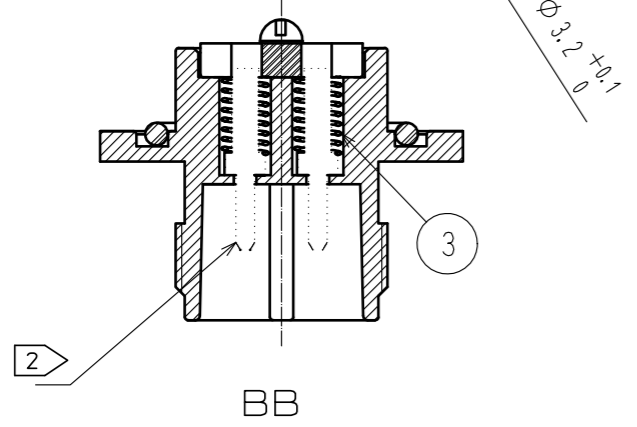
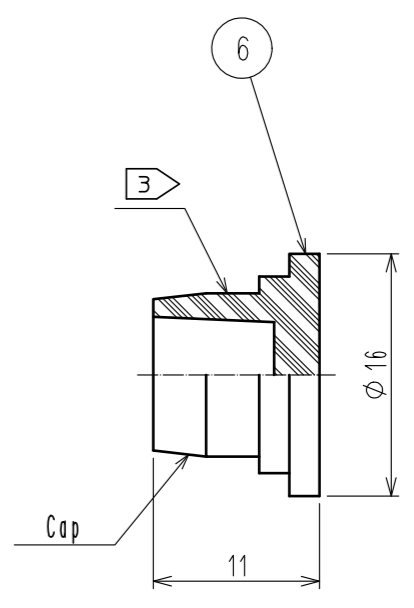
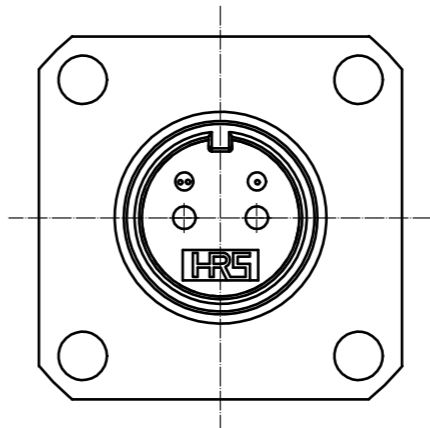
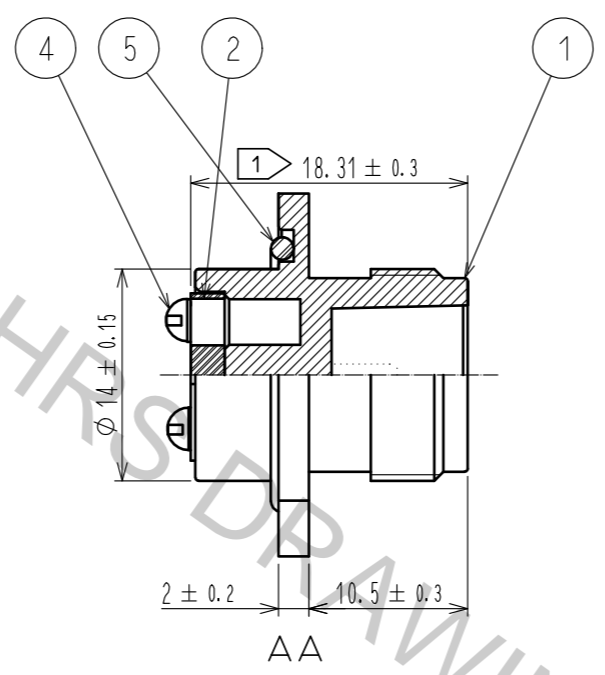
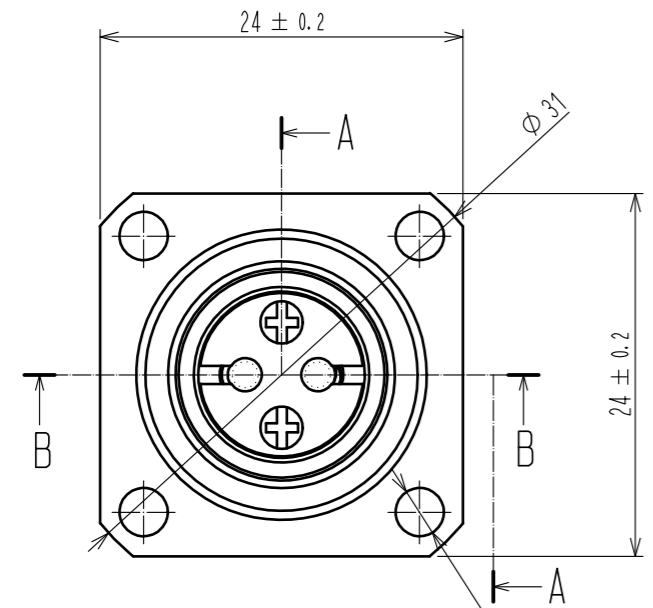
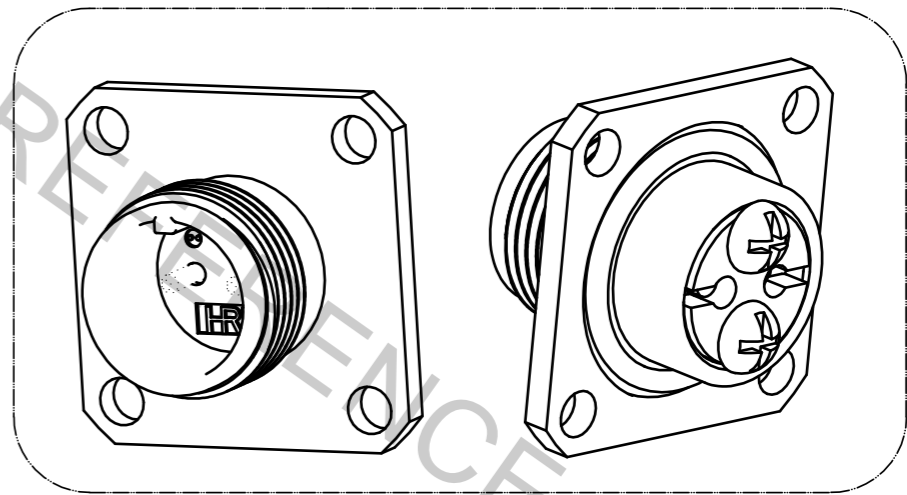


Aug.1.2018 Copyright 2018 HIROSE ELECTRIC CO., LTD. All Rights Reserved.  
 In case that the application demands a high level of reliability, such as automotive,  
 please contact a company representative for further information.



NOTE 1 This dimension shows after assembly.  
 2 This product is not attached with a ferrule.  
 3 The cap is inserted into this product and delivered.



△ Depend on system

3	Piano wire	Zinc plating	6	SIR	Black
2	PBT	Black	5	EPDM	Black
1	Zinc die casting	Nickel plating	4	Stainless steel	
NO.	MATERIAL	FINISH . REMARKS	NO.	MATERIAL	FINISH . REMARKS
UNITS	mm	SCALE	2 : 1	COUNT	1
DESCRIPTION OF REVISIONS			DESIGNED	CHECKED	DATE
DIS-K-00001425			TY. SATO	FS. YOSHIDA	18.03.26
APPROVED : MT. SHIBUTANI 18.03.16			DRAWING NO. EDC-176610-31-00		
CHECKED : FS. YOSHIDA 18.03.16			PART NO. MF10S-WDRFNG01-0200(31)		
DESIGNED : SI. MATSUMOTO 18.03.16			CODE NO. CL709-0549-7-31		
DRAWN : SR. TOYOKAWA 18.03.16			1/1		