

LOC	DIST	REVISIONS					
DS	-	P	LTR	DESCRIPTION	DATE	DWN	APVD
		A1		REVISED<ECR-11-024357>	02.DEC.11	CH	JK

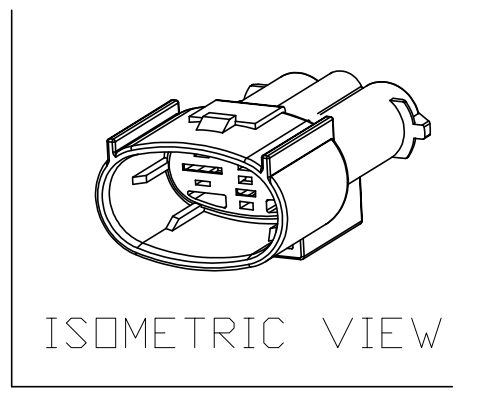
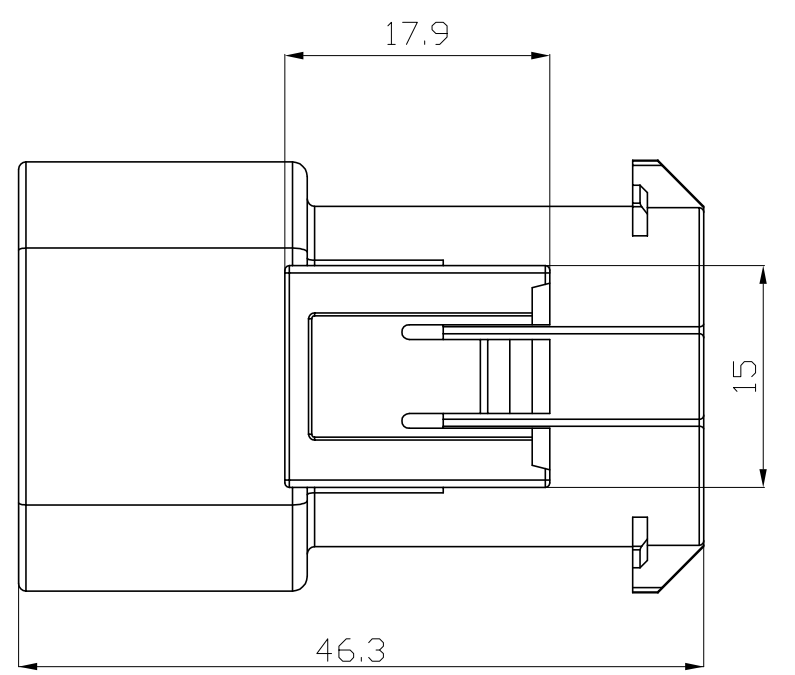
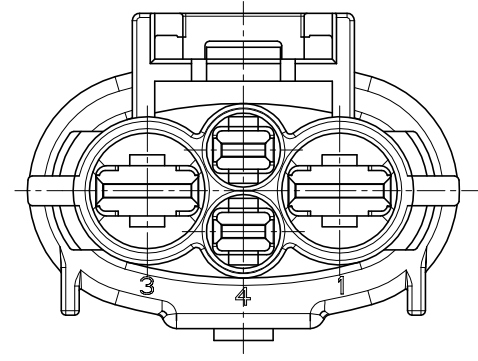
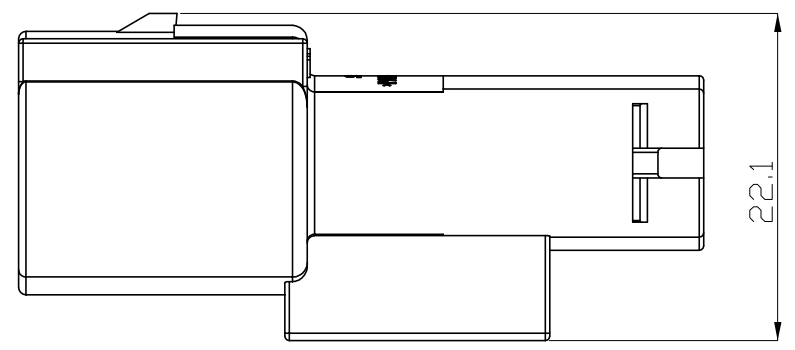
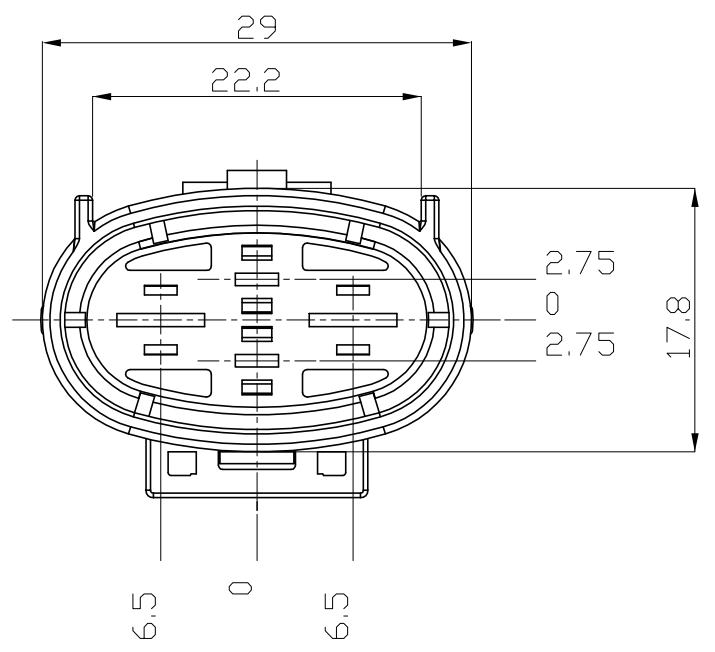


TABLE 1.

TAPE	PART NO.	WIRE RANGE (mrf)	INSULATION DIA. (mm)	FINISH
MCP2.8	1-964298-3	0.2 - 0.5	1.15 - 1.6	CuSn, Gold
	2-964298-1			CuFe, Tin
	1-964300-3	0.5 - 1.0	1.4 - 2.1	CuSn, Gold
	2-964300-1			CuFe, Tin
	2-962916-2	1.0 ~ 2.5	MAX 3.0	CuFe, Silver
	2-962916-1			CuFe, Tin
1-962916-2	CuSn4, Silver			
1-962916-1	CuSn4, Tin			
MCP6.3	1-962917-1	0.5 - 1.0	1.4 - 2.1	CuSn, Tin
	1-962917-2			CuSn, Silver
	2-962917-1			CuFe, Tin
	2-962917-2			CuFe, Silver
	1-962918-1	1.5 - 2.5	2.2 - 3.0	CuSn, Tin
	1-962918-2			CuSn, Silver
	2-962918-1			CuFe, Tin
	2-962918-2			CuFe, Silver
	1-962919-1	2.5 - 4.0	2.7 - 3.7	CuSn, Tin
	1-962919-2			CuSn, Silver
	2-962919-1			CuFe, Tin
	2-962919-2			CuFe, Silver

(A1)
(A1)
(A1)
(A1)

TABLE 2.

TAPE	PART NO.	INSULATION DIA. (mm)	COLOR
MCP2.8	828904-1	1.2 - 2.1	BLUE
	828904-2		WHITE
	828905-1	2.2 - 3.0	WHITE
	828922-1	CAVITY PLUG	NATURAL
828986-1	BROWN		
MCP6.3	963243-1	1.4 - 2.1	BLUE
	963244-1	2.2 - 3.0	WHITE
	963245-1	3.4 - 3.7	YELLOW
	100132-1	CAVITY PLUG	BLACK

(A1)

- NOTE
 1. GENERAL TOLERANCE : ±0.3, ±3.0°
 2. THE MATING CONNECTOR : 1897210-1
 3. APPLICABLE TAB CONTACT P/N: TABLE 1
 4. APPLICABLE WIRE SEAL P/N: TABLE 2

1897209-2	CAP HSG	PA66-GF15	BLACK
PART NO.	DESCRIPTION	MATERIAL	COLOR

THIS DRAWING IS A CONTROLLED DOCUMENT FOR TYCO ELECTRONICS CORPORATION IT IS SUBJECT TO CHANGE AND THE CONTROLLING ENGINEERING ORGANIZATION SHOULD BE CONTACTED FOR THE LATEST REVISION.		DWN CH LEE														
DIMENSIONS: mm		CHK YJ YOUN														
TOLERANCES UNLESS OTHERWISE SPECIFIED		APVD JK SONG	NAME MCP HYB 4P CAP HSG													
<table border="1"> <tr> <td>0 PLC</td> <td>±0.13</td> </tr> <tr> <td>1 PLC</td> <td>±0.13</td> </tr> <tr> <td>2 PLC</td> <td>±0.13</td> </tr> <tr> <td>3 PLC</td> <td>±0.013</td> </tr> <tr> <td>4 PLC</td> <td>±0.0001</td> </tr> <tr> <td>ANGLES</td> <td>±</td> </tr> </table>		0 PLC	±0.13	1 PLC	±0.13	2 PLC	±0.13	3 PLC	±0.013	4 PLC	±0.0001	ANGLES	±	PRODUCT SPEC	SIZE A3	
0 PLC	±0.13															
1 PLC	±0.13															
2 PLC	±0.13															
3 PLC	±0.013															
4 PLC	±0.0001															
ANGLES	±															
MATERIAL SEE TABLE		APPLICATION SPEC	CAGE CODE 00779	DRAWING NO 1897209												
		WEIGHT	RESTRICTED TO -													
		CUSTOMER DRAWING		SCALE 2:1												
				SHEET 1 OF 1												
				REV A1												