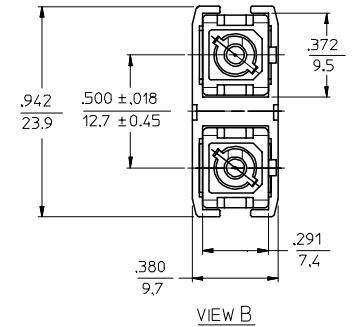
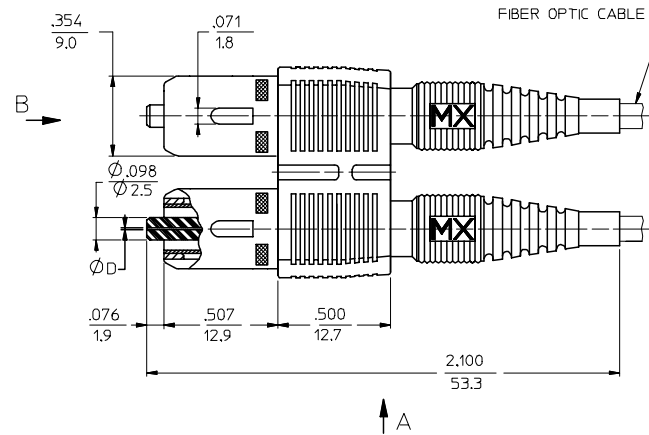
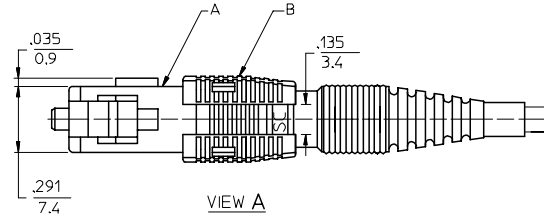


CONNECTOR P/N	Ø mm	MATERIAL OF FERRULE	COLOR OF HOUSING A	COLOR OF HOUSING B	COLOR OF BOOT	CONNECTOR TYPE	CABLE OD mm
106066-0000	.127	ZIRCONIA	BEIGE	BEIGE	BEIGE	MULTIMODE	3
*106066-0010			BLACK	BLACK	BLACK		
106066-0070			RED	RED	RED		
106066-0080	.1255		BLUE	BLUE	BLUE	SINGLE MODE	
106066-2000			RED	RED	RED		
106066-2080			BEIGE	BEIGE	BEIGE		
106066-3000	.128		BLACK	BLACK	BLACK	MULTIMODE	
106066-3070			RED	RED	RED		
106066-3080			BLUE	BLUE	BLUE		
106066-4000	.126		RED	RED	RED	SINGLE MODE	
106066-5000			RED	RED	RED		
106066-5001			RED	RED	RED		
106066-5080	.127	BLUE	BLUE	BLUE	SINGLE MODE		
106066-7000		RED	RED	RED			
106066-4300		BLUE	BLUE	BLUE			
106066-5300	.126	MULTIMODE	BEIGE	BEIGE	BEIGE	2.4	
106066-0300			BEIGE	BEIGE	BEIGE		



NOTES:
1. DUST CAPS ARE NOT SHOWN.

*2. P/N 106066-5001 AND P/N 106066-0010 ARE BULK PACKED IN QUANTITIES OF 100 PCS.

FC NO: MF2006-0424 DRAWN/RPACIFIC I 2006/01/24 CHKD: 2006/01/24 APPR: JGUMIN REVISION DESCRIPTION	QUALITY SYMBOLS	GENERAL TOLERANCES (UNLESS SPECIFIED)		DIMENSION STYLE	SCALE	DESIGN UNITS	THIRD ANGLE PROJECTION	
	▽=0 ▽=0	mm	INCH	IN/MM	4:1	INCH		
		4 PLACES	±	---	DRAWN BY	DATE	TITLE	
		3 PLACES	±	---	RPACIFIC I	2005/12/22	SC-D TYPE CONNECTOR	
	2 PLACES	±	---	CHECKED BY	DATE			
	1 PLACE	±	---	APPROVED BY	DATE			
	ANGULAR ±1/2°							
	DRAFT WHERE APPLICABLE MUST REMAIN WITHIN DIMENSIONS			MATERIAL NO.	DOCUMENT NO.	SHEET NO.		
				SEE TABLE	SD-106066-XXX0	1 OF 01		
	THIS DRAWING CONTAINS INFORMATION THAT IS PROPRIETARY TO MOLEX INCORPORATED AND SHOULD NOT BE USED WITHOUT WRITTEN PERMISSION							