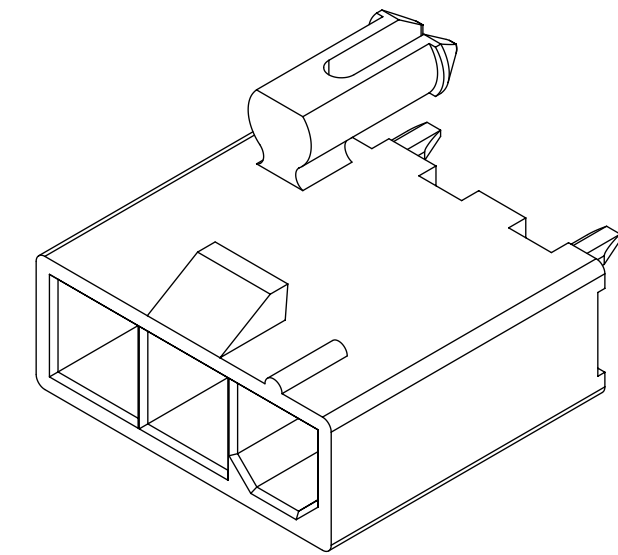
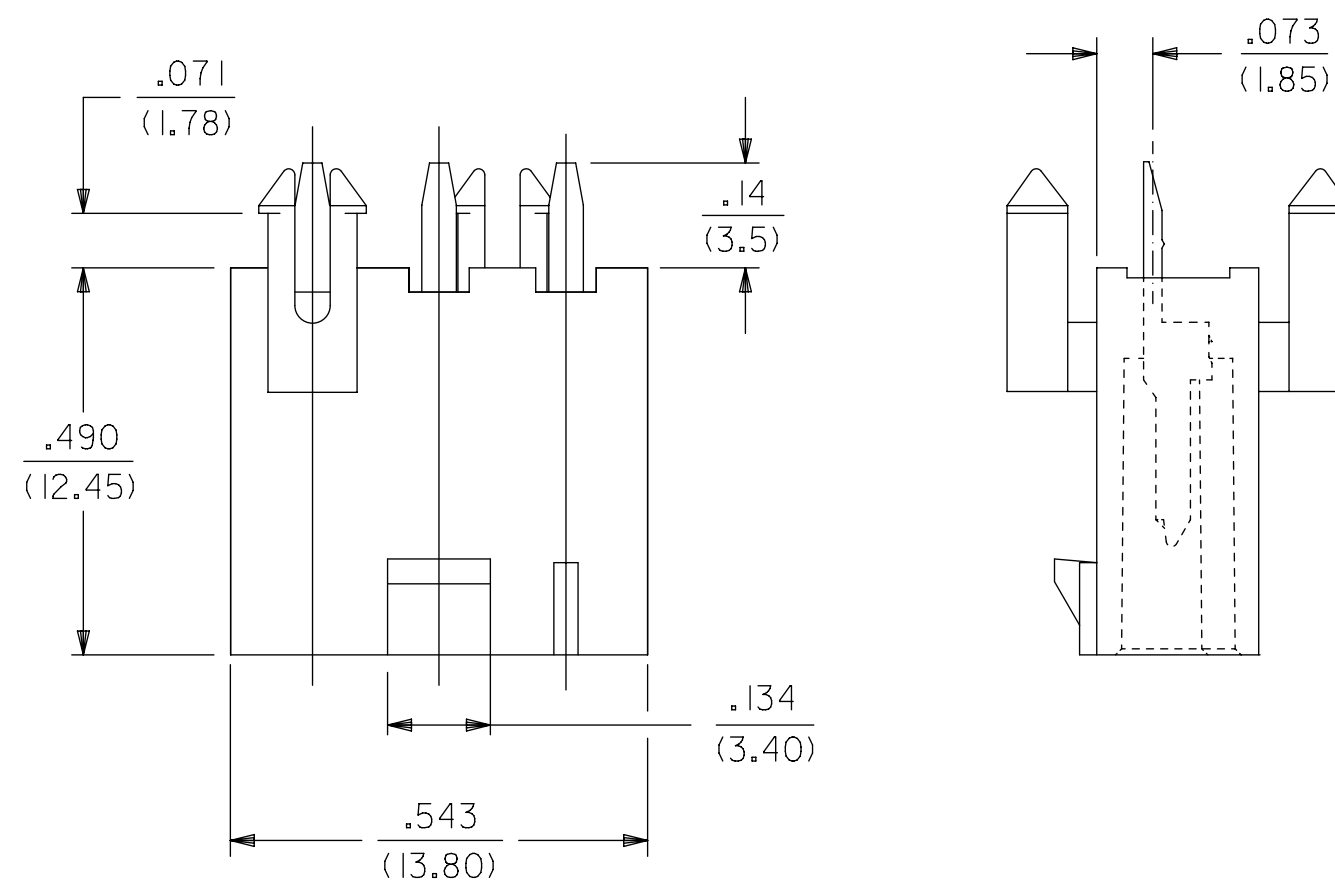


NOTES:

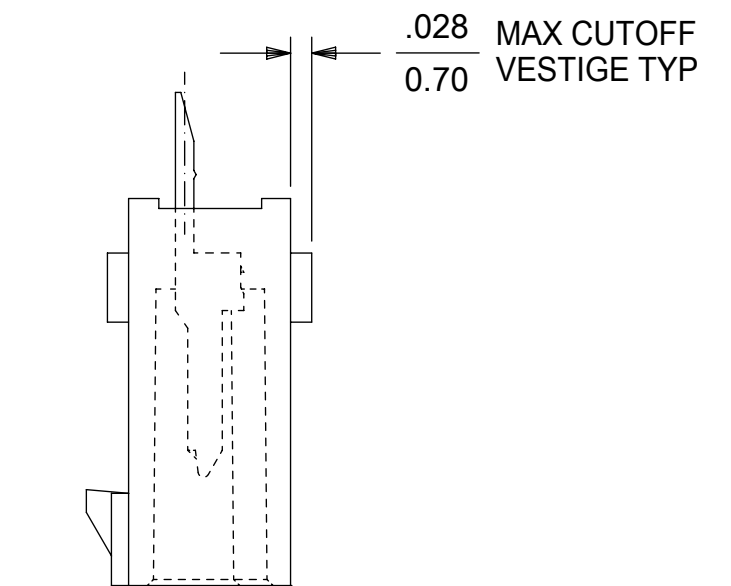
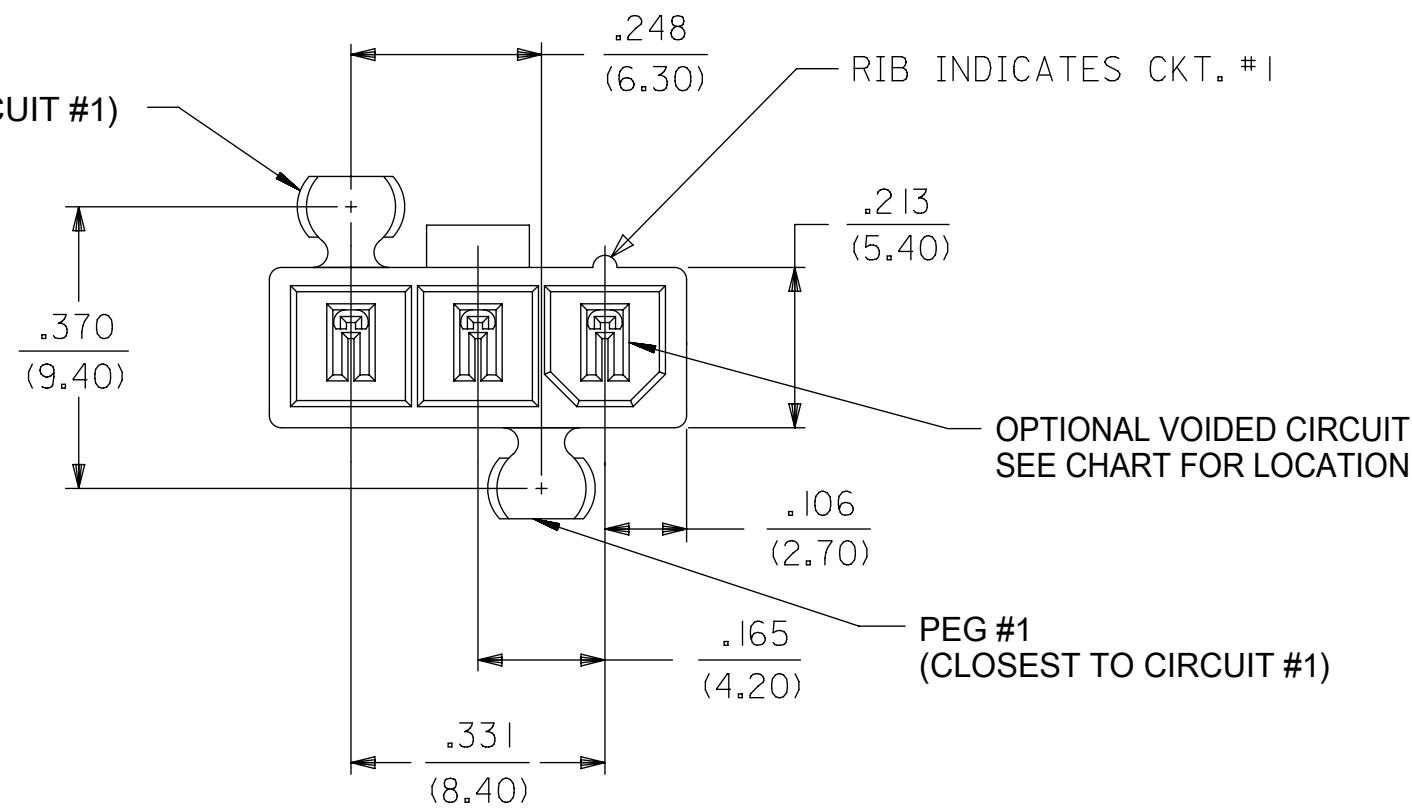
- 1) MATERIALS:
HOUSING: 1 - NYLON 6/6, UNFILLED UL 94V-2, COLOR: NATURAL
2 - NYLON 6/6, UNFILLED UL 94V-0, COLOR: NATURAL
TERMINALS: COPPER ALLOY
- 2) TERMINAL PLATING:
1 - .000100/(.00254) MIN. MATTE TIN OVER
.000050(.00127) MIN. NICKEL OVERALL
2 - .000030/(.00076) MIN. SELECT GOLD AND
.000100/(.00254) MIN. SELECT MATTE TIN OVER
.000050/(.00127) MIN. NICKEL OVERALL
- 3) PRODUCT SPECIFICATION: PS-45750-001
- 4) PACKAGING: TRAY PACK PER PK-5566-002
FOR P/N 46014-3003 TRAY PACK PER PK-43588-001
- 5) PART MATES WITH WITH MINI-FIT JR. RECEPTACLE #5557.
- 6) PART IS NOT DESIGNED FOR CURRENT SHARING.
- 7) PARTS TO HAVE "HCS+" MARKING.
- 8) PART CONFORMS TO CLASS "B" REQUIREMENTS OF COSMETIC SPECIFICATION PS-45499-002.
- 9) LOCATION OF .118±.002/(3.00±0.05) DIAMETER HOLES ON P.C. BOARD IS FOR OPTIONAL PEGS.

PART NUMBERS W/ VOIDED CIRCUITS & PEGS REMOVED

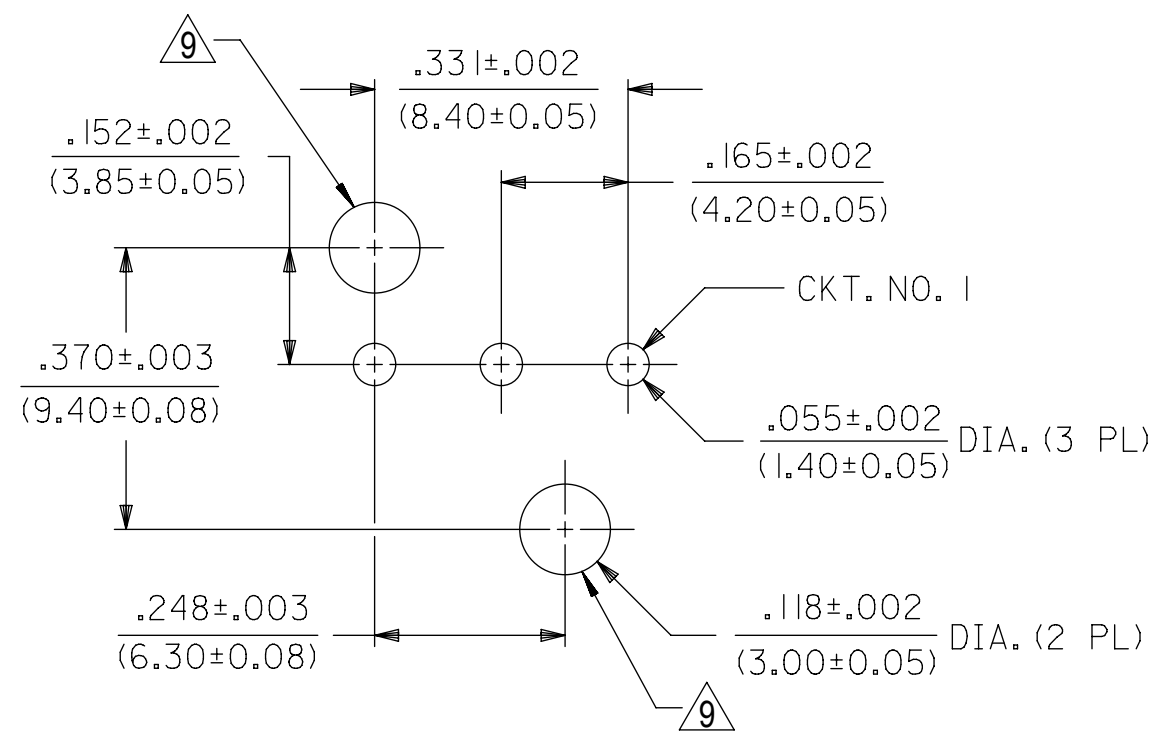
ITEM NO.	HOUSING MATERIAL	PLATING	VOID CIRCUIT	PEGS REMOVED
46014-3001	V-0	GOLD	2	NONE
46014-3002	V-0	TIN	2	NONE
46014-3003	V-0	TIN	NONE	BOTH



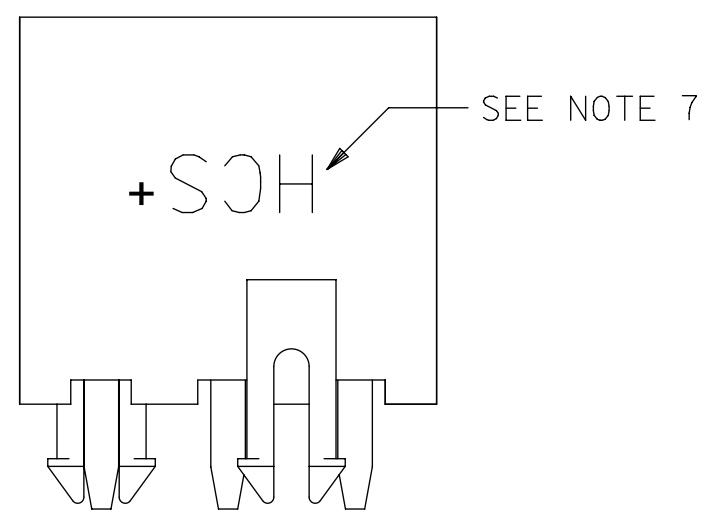
PEG #2 (FURTHEST FROM CIRCUIT #1)



BOTH PEGS REMOVED OPTION SHOWN



RECOMMENDED HOLE LAYOUT FOR .070/(1.78) MAX. THICK P.C. BOARD



QUALITY SYMBOLS	THIS DRAWING CONTAINS INFORMATION THAT IS PROPRIETARY TO MOLEX ELECTRONIC TECHNOLOGIES, LLC AND SHOULD NOT BE USED WITHOUT WRITTEN PERMISSION			
	GENERAL TOLERANCES (UNLESS SPECIFIED)		DIMENSION UNITS	SCALE
▽ = 0	MM INCH		IN/MM	4:1
▽ = 0	4 PLACES ± ±		DRWN BY	DATE
▽ = 0	3 PLACES ± ± 0.01		NNGUYEN	2012/03/29
▽ = 0	2 PLACES ± 0.25 ± 0.02		CHK'D BY	DATE
▽ = 0	1 PLACES ± 0.5 ±		JBELL	2012/03/29
▽ = 0	0 PLACES ± ±		APPR BY	DATE
▽ = 0	ANGULAR TOL = 0.5		FSMITH	2012/03/29
▽ = 0	DRAFT WHERE APPLICABLE MUST REMAIN WITHIN DIMENSIONS		DRAWING SIZE	THIRD ANGLE PROJECTION
▽ = 0	A3		C	

molex®		
VERTICAL HEADER ASSEMBLY SINGLE ROW, 3 CKT MINIFIT PLUS HCS W/VOIDS		
PRODUCT CUSTOMER DRAWING		
SERIES	MATERIAL NUMBER	CUSTOMER
46014	SEE CHART	GENERAL MARKET
DOCUMENT NUMBER	DOC TYPE	DOC PART SHEET NUMBER
SD-46014-004	PSD	000 1 OF 1