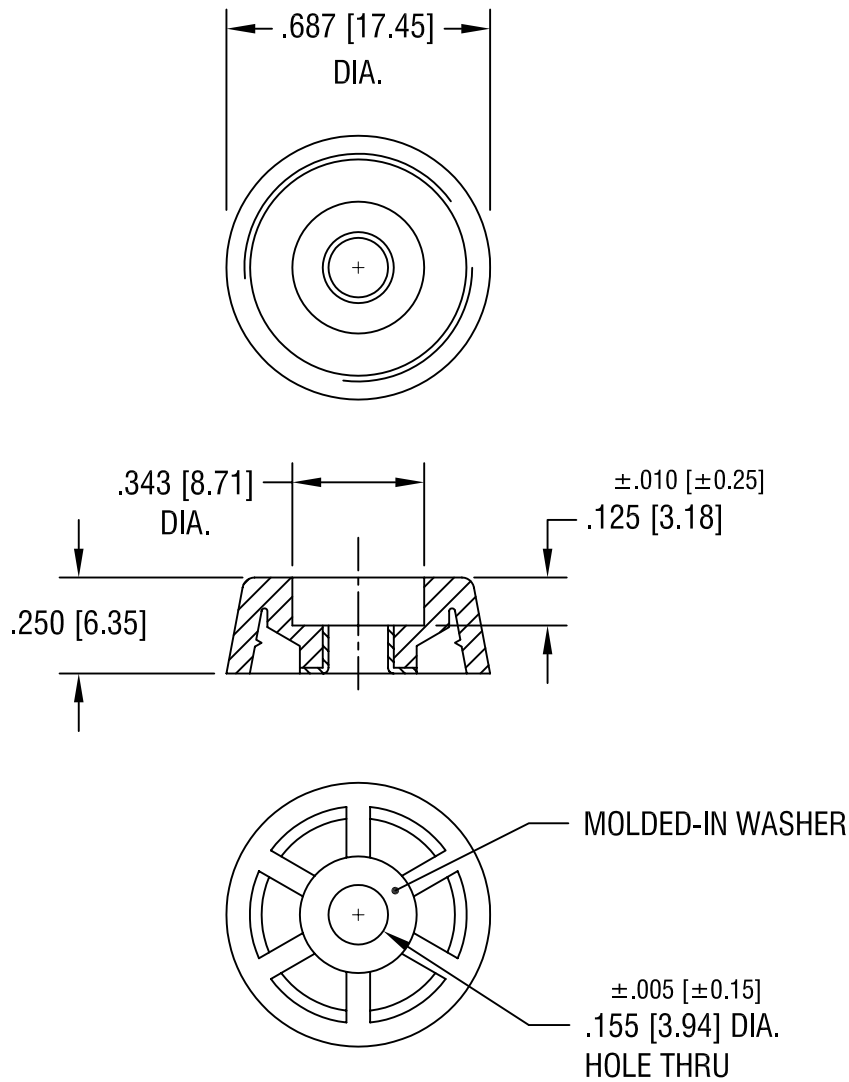


THIS DOCUMENT IS THE PROPERTY OF
KEYSTONE ELECTRONICS CORP. AND
SHALL NOT BE REPRODUCED, DISTRIBUTED
OR USED AS A BASIS FOR MANUFACTURE
WITHOUT PRIOR WRITTEN PERMISSION
FROM KEYSTONE ELECTRONICS CORP.



NOTES:

1. BODY: MAT'L - THERMOPLASTIC RUBBER, GREY
WASHER: MAT'L - STEEL, ZINC PLATE

| | | | |
|-----------------------------------|---------------|-----------------|------------|
| KEYSTONE ELECTRONICS CORP. | | | |
| ASTORIA, N.Y. 11105-2017 | | | |
| PART NAME | | RECESSED BUMPER | |
| MATERIAL | | AS NOTED | |
| FINISH | AS NOTED | DRN BY | BOONE |
| | | DATE | 11.26.96 |
| | | APP'D | LN |
| | | SCALE | 2X |
| TOLERANCES | INCH [MM] | CODE | DWG NO. |
| DECIMAL | ±.020 [±0.50] | C/M | 724 |
| ANGULAR | ± 1° | | |
| UNLESS OTHERWISE SPECIFIED | | | |

| | | |
|--------|--------------------------|------|
| 5.7.07 | CHANGE AS PER ECN 07-021 | A |
| DATE | DESCRIPTION | REV. |