

4

3

2

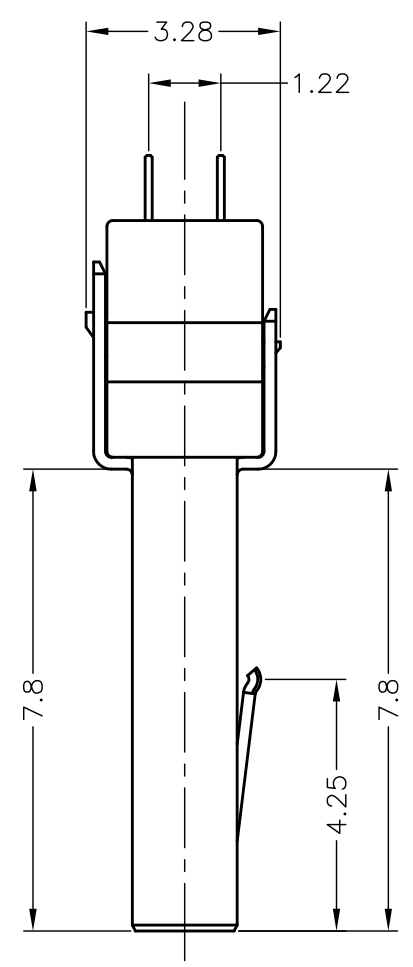
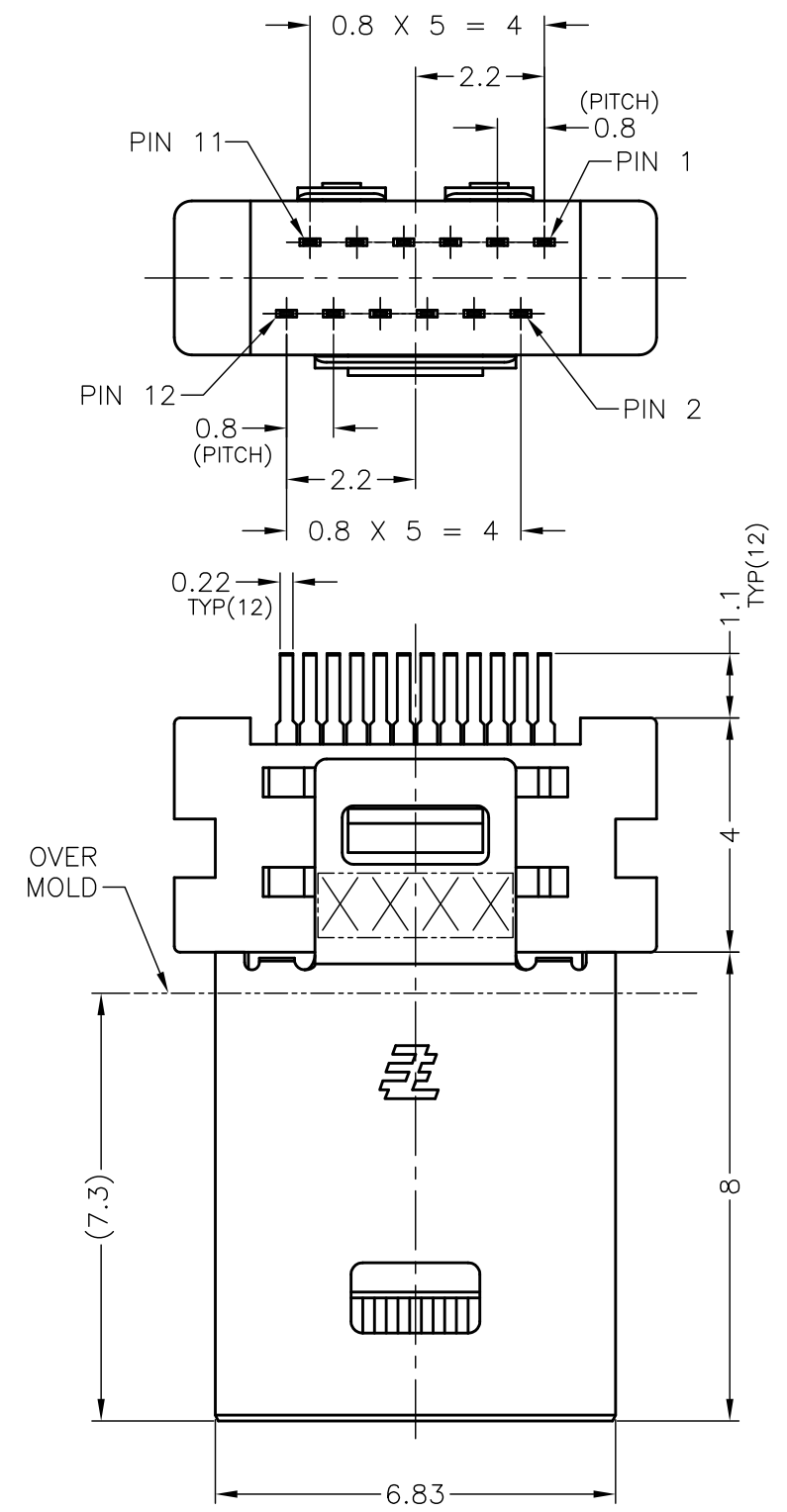
1

THIS DRAWING IS UNPUBLISHED. RELEASED FOR PUBLICATION
 © COPYRIGHT - By - ALL RIGHTS RESERVED.

LOC	DIST	REVISIONS			
P	LTR	DESCRIPTION	DATE	DWN	APVD
		G1	REVISED (ECR-13-006596)	24APR2013	B.W H.K

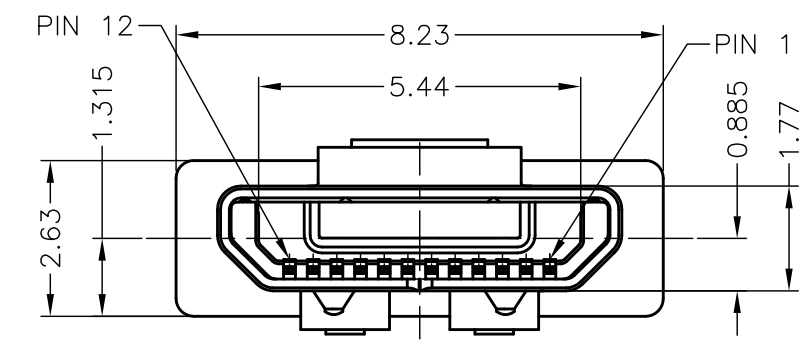
2129033-1: AS SHOWN

- 1 MATERIAL:
HOUSING: HIGH TEMPERATURE THERMOPLASTIC
UL94 V-0, COLOR: BLACK.
CONTACT: COPPER ALLOY.
SHELL: STAINLESS STEEL.
- 2 FINISH:
CONTACT: Ni UNDER PL Au PL.
SHELL: Ni PL OVERALL.
- 3 SOLDER RING GAP SHOULD BE MIN. 0.2mm.



REFERENCE PIN DEFINITION

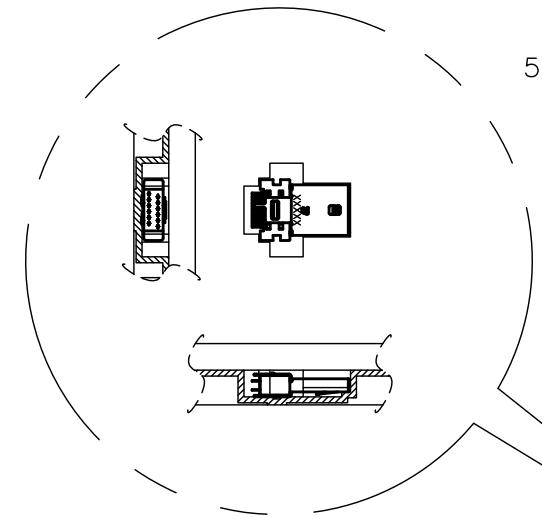
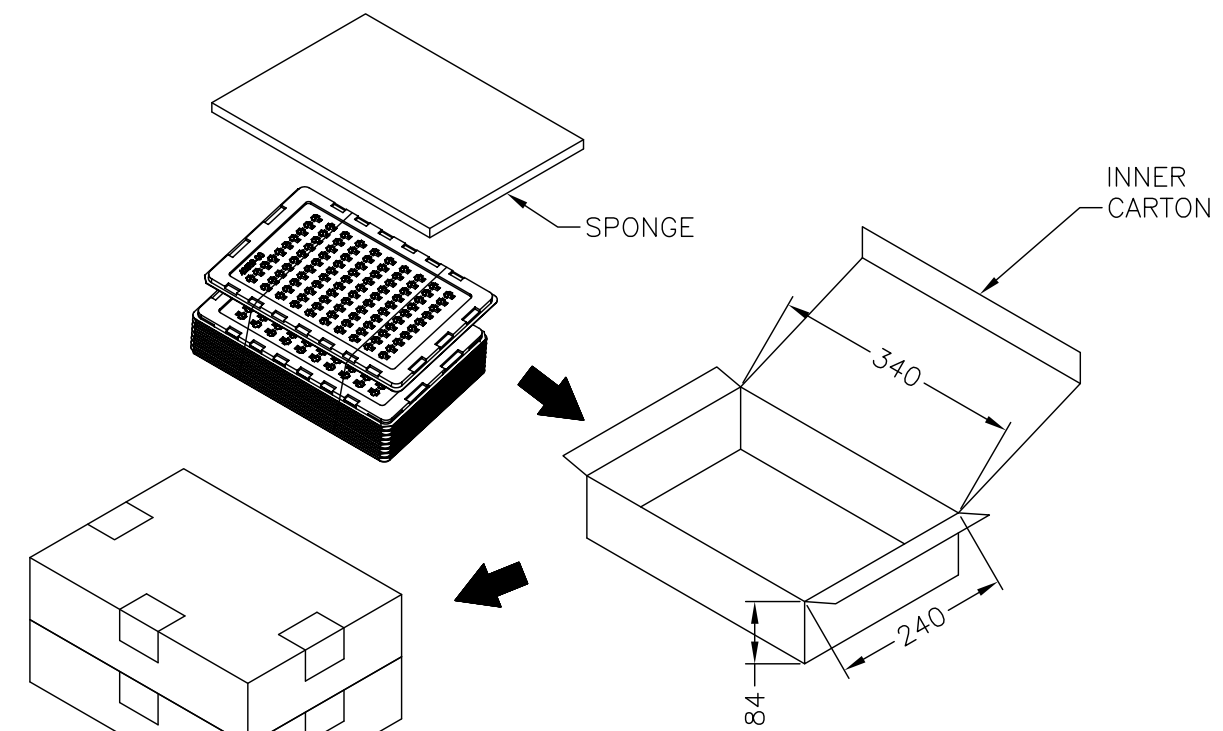
17	MICRO USB PIN 5	GND
16	MICRO USB PIN 4	ID
15	12P PIN 12	POWER GUN RETURN
14	12P PIN 11	POWER GUN RETURN
13	12P PIN 10	SIGNAL
12	12P PIN 9	SIGNAL
11	12P PIN 8	SIGNAL
10	12P PIN 7	SIGNAL
9	12P PIN 6	SIGNAL
8	12P PIN 5	SIGNAL
7	12P PIN 4	SIGNAL
6	12P PIN 3	SIGNAL
5	12P PIN 2	POWER
4	12P PIN 1	POWER
3	MICRO USB PIN 3	D+
2	MICRO USB PIN 2	D-
1	MICRO USB PIN 1	VBUS
PIN	CONTACT NO.	SIGNAL NAME



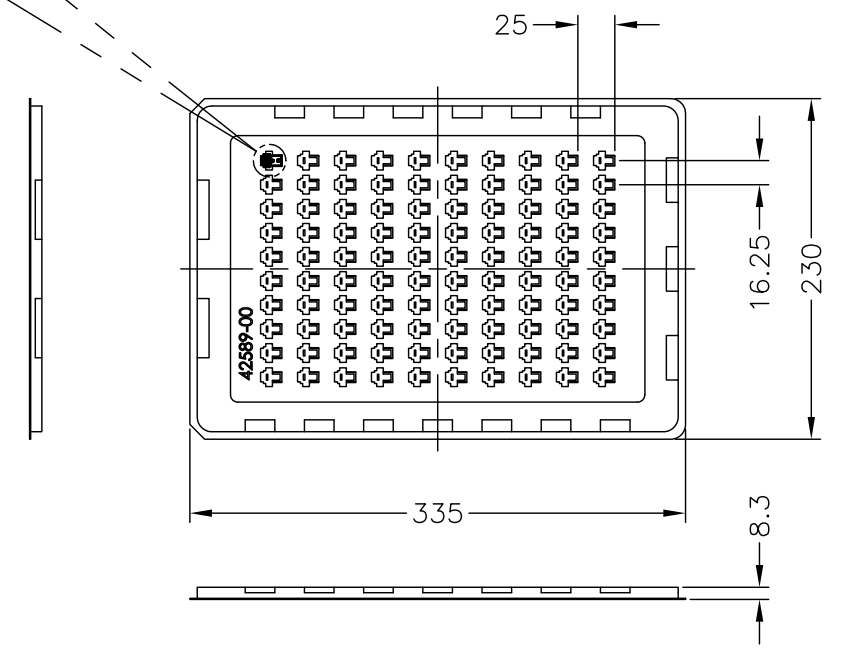
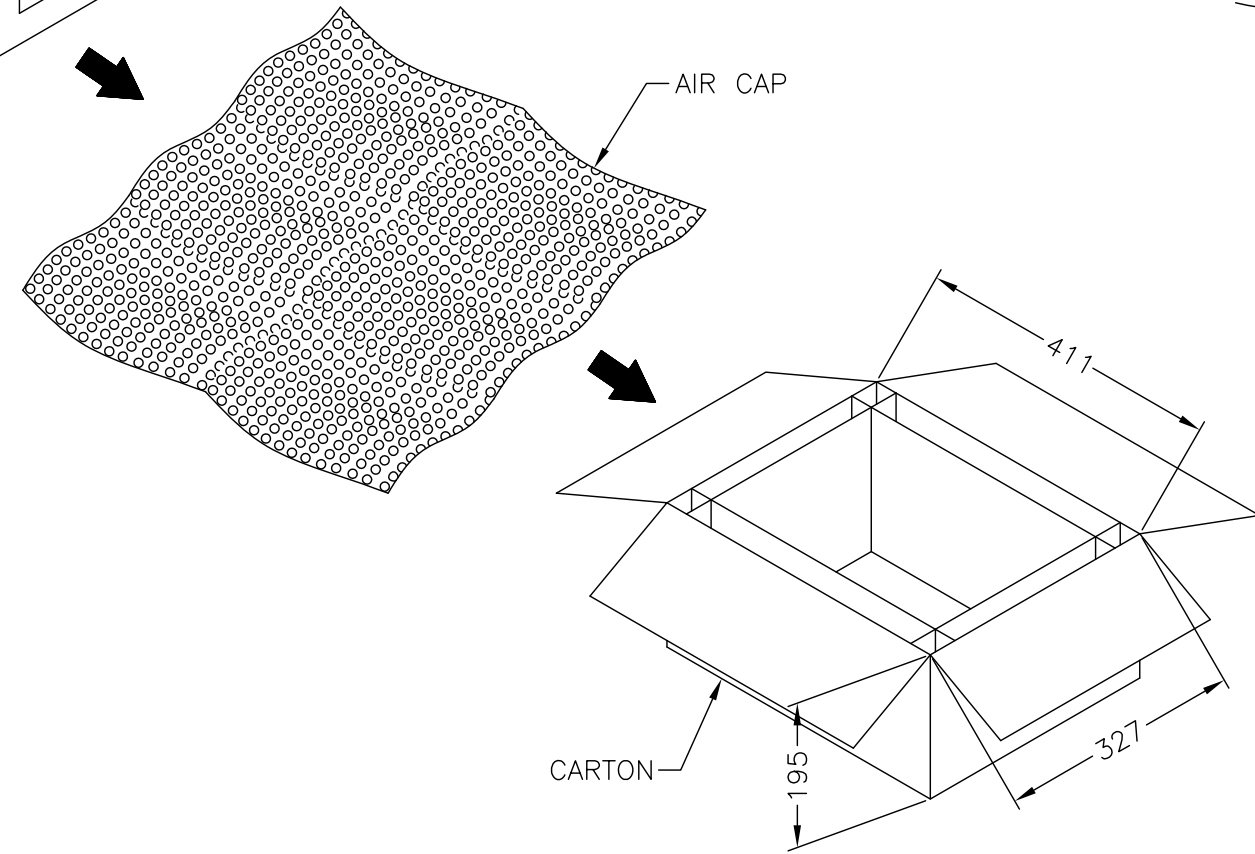
THIS DRAWING IS A CONTROLLED DOCUMENT.		DWN	N. TSAI	05FEB10	 TE Connectivity
DIMENSIONS: mm		CHK	M. CHAO	05FEB10	
TOLERANCES UNLESS OTHERWISE SPECIFIED:		APVD	H. KODAMA	05FEB10	
8 PLC ± 1 PLC ± ±0.2 2 PLC ± ±3° 3 PLC ± ± 4 PLC ± ± ANGLES ± ±		NAME		MICRO HYBRID I/O 5+12 THROUGH HOLE, PLUG ASSY	
MATERIAL	FINISH	PRODUCT SPEC	APPLICATION SPEC	WEIGHT	SIZE A3 CAGE CODE 00779 DRAWING NO. 2129033 RESTRICTED TO
CUSTOMER DRAWING		SCALE 8:1		SHEET 1 OF 2	REV G1

THIS DRAWING IS UNPUBLISHED. RELEASED FOR PUBLICATION
 © COPYRIGHT - By - ALL RIGHTS RESERVED.

LOC	DIST	REVISIONS			
P	LTR	DESCRIPTION	DATE	DWN	APVD
-	-	SEE SHEET 1	-	-	-



- 4. PACKING MATERIAL:
 TRAY: PS, THICKNESS=0.8±0.05mm,
 COLOR: NATURAL.
- 5. NET WEIGHT: 1.856Kg,
 GROSS WEIGHT: 3.586Kg.



100	16	2	3200
PCS/TARY	TRAY/INNER BOX	INNER BOX/CARTON	TOTAL Q'TY

THIS DRAWING IS A CONTROLLED DOCUMENT.		DWN		TE Connectivity	
DIMENSIONS: mm		CHK			
TOLERANCES UNLESS OTHERWISE SPECIFIED:		APVD		NAME	
6 PLC ± 1 PLC ± ±1 2 PLC ± ±3° 3 PLC ± ± 4 PLC ± ± ANGLES ± ±		PRODUCT SPEC		MICRO HYBRID I/O 5+12 THROUGH HOLE, PLUG ASSY	
MATERIAL		APPLICATION SPEC		SIZE	RESTRICTED TO
FINISH		WEIGHT		A3	-
		CUSTOMER DRAWING		CAGE CODE	DRAWING NO
				00779	2129033
		SCALE		SHEET	REV
		-		2 OF 2	G1