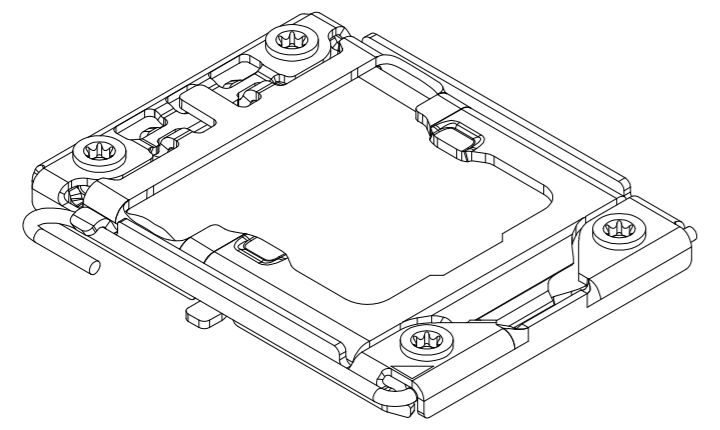
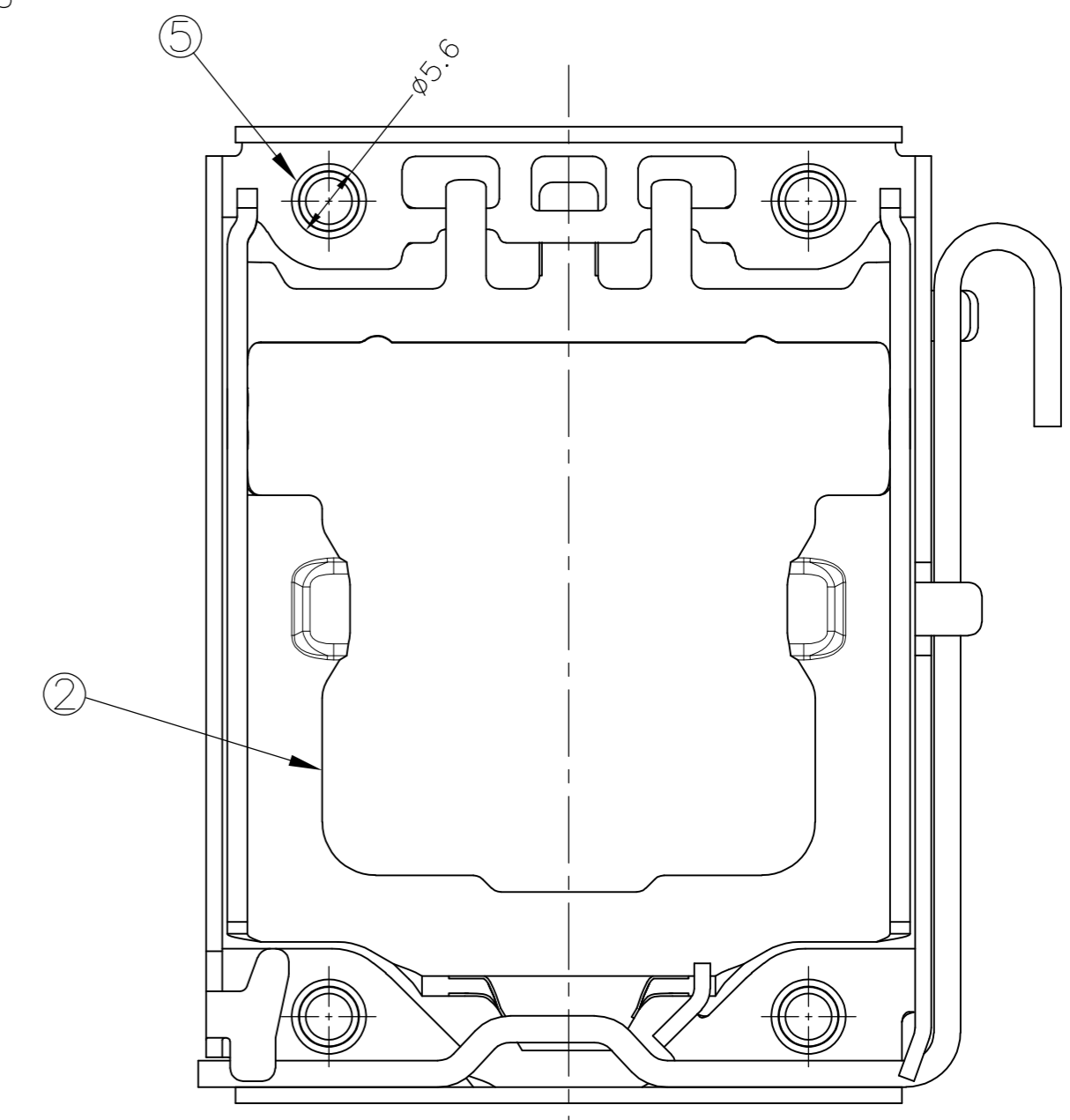
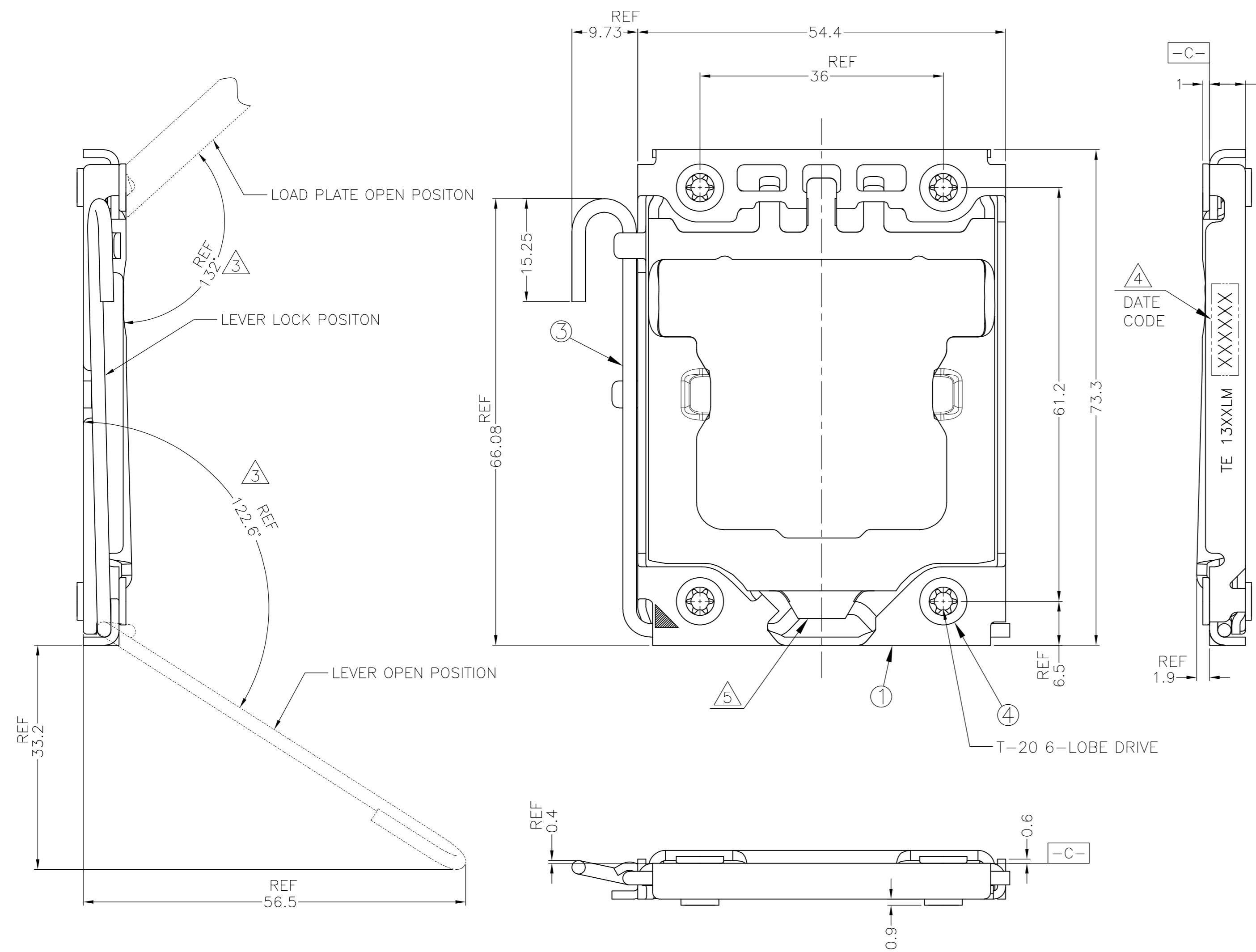


THIS DRAWING IS UNPUBLISHED. RELEASED FOR PUBLICATION MAY 2011.
 © COPYRIGHT 2011 By Tyco Electronics Japan G.K. ALL RIGHTS RESERVED.

LOC		DIST		REVISIONS			
P	LTR	DESCRIPTION		DATE	DWN	APVD	
J	-	U1	REVISED	20MAY'15	J.W	C.W	



3D VIEW (REFERENCE)

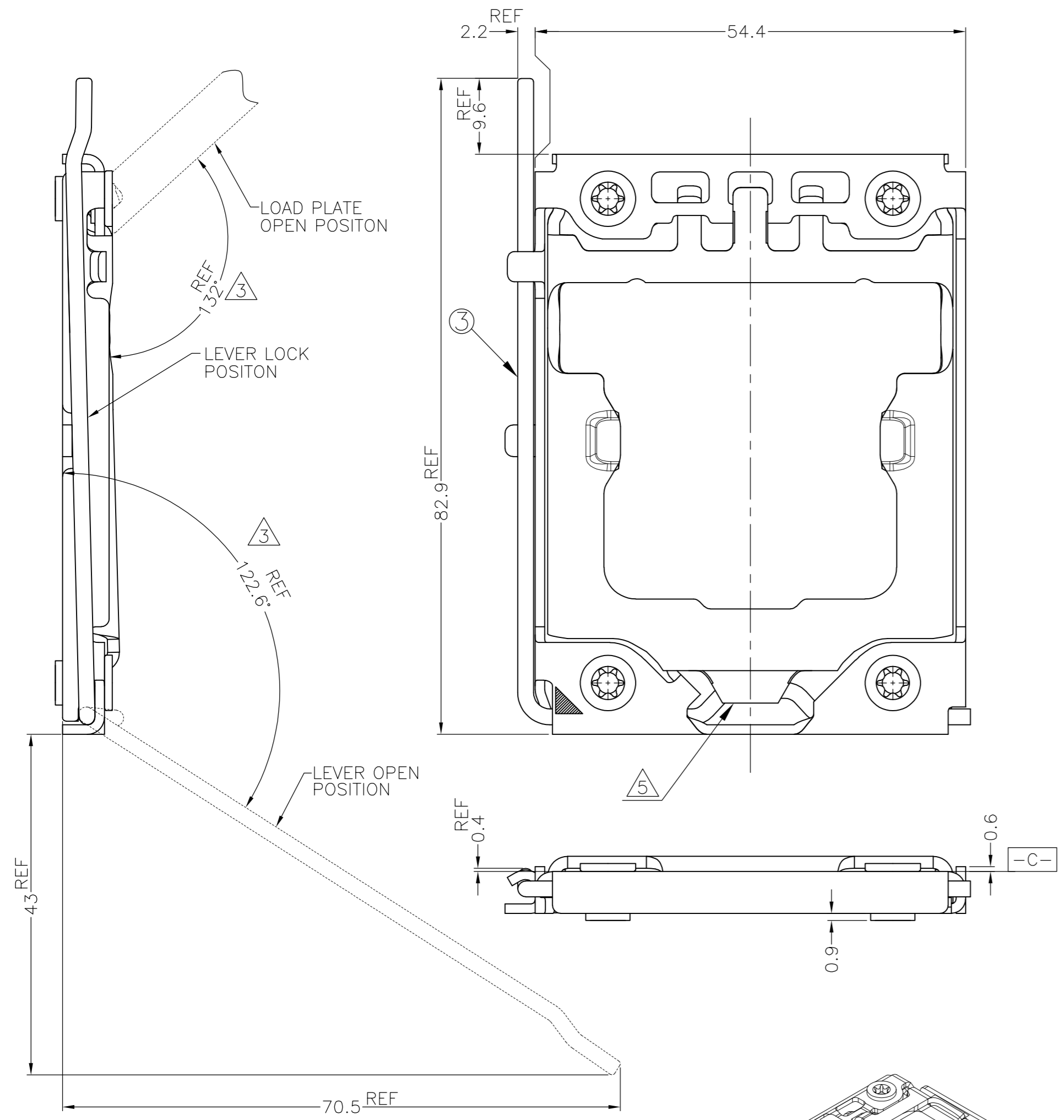
1939738-1 : AS SHOWN

WEIGHT(g)	DESCRIPTION	PART NUMBER
47.1	U LEVER TYPE WITH COVER	2-1939738-1
44.2	SHORT STRAIGHT LEVER TYPE	1-1939738-1
44.0	STRAIGHT LEVER TYPE	1-1939738-2
44.2	U LEVER TYPE	1939738-1

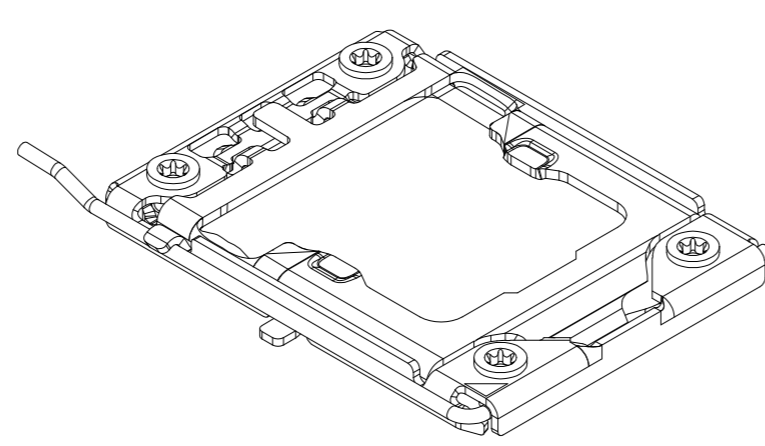
THIS DRAWING IS A CONTROLLED DOCUMENT.		DWN H.TAGUCHI 17DEC2007	TE TE Connectivity	
DIMENSIONS: mm		CHK S.HASHIMOTO 17DEC2007		
TOLERANCES UNLESS OTHERWISE SPECIFIED:		APVD S.HASHIMOTO 17DEC2007	NAME	
0.PLC ±		PRODUCT SPEC	ILM COVER ASSY LGA13XX	
1.PLC ± ±0.3		APPLICATION SPEC	SIZE A2	CAGE CODE 00779
2.PLC ±		108-78496	DRAWING NO C=1939738	RESTRICTED TO -
3.PLC ±		114-5432	SCALE 2:1	SHEET 1 of 3
4.PLC ±		WEIGHT SEE TABLE	REV U1	
ANGLES ±		CUSTOMER DRAWING		
FINISH				

THIS DRAWING IS UNPUBLISHED. RELEASED FOR PUBLICATION MAY 2011.
 © COPYRIGHT 2011 By Tyco Electronics Japan G.K. ALL RIGHTS RESERVED.

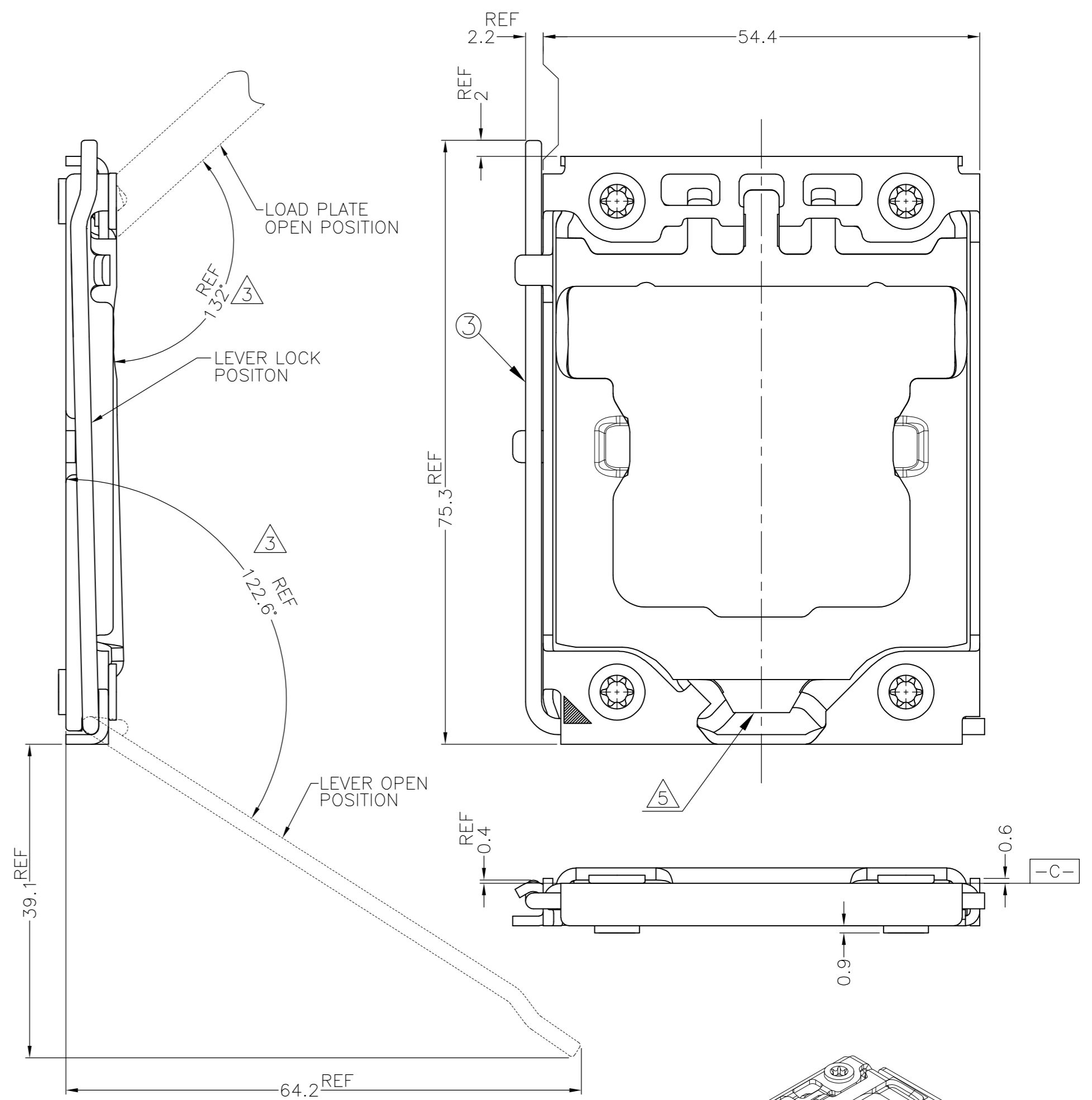
LOC		DIST		REVISIONS			
P	LTR	DESCRIPTION	DATE	DWN	APVD		
-	-	SEE SHEET 1	-	-	-		



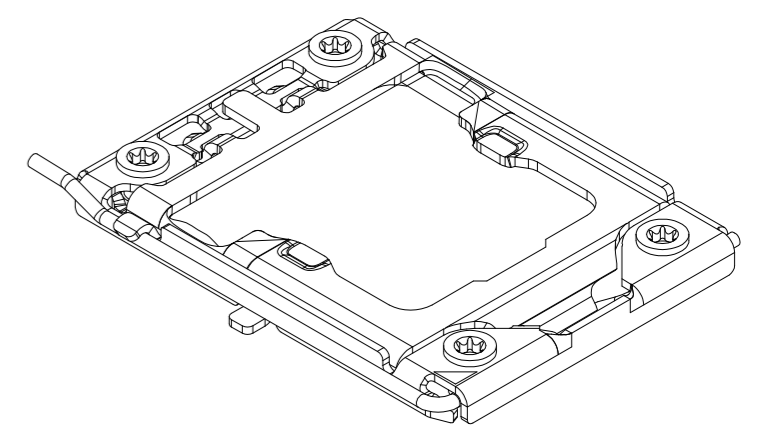
1-1939738-2 : AS SHOWN



3D VIEW (REFERENCE)



1-1939738-1 : AS SHOWN



3D VIEW (REFERENCE)

THIS DRAWING IS A CONTROLLED DOCUMENT.		DWN					
DIMENSIONS: mm		CHK				NAME	
TOLERANCES UNLESS OTHERWISE SPECIFIED: 0 PLC ± 1 PLC ± 2 PLC ± 3 PLC ± 4 PLC ± ANGLES ± FINISH		APVD				ILM COVER ASSY LGA13XX	
MATERIAL		PRODUCT SPEC				SIZE	CAGE CODE
		APPLICATION SPEC	A2	00779	DRAWING NO	C=1939738	RESTRICTED TO
		WEIGHT	CUSTOMER DRAWING		SCALE	SHEET	REV
					NTS	2 of 3	U1

4

3

2

1

THIS DRAWING IS UNPUBLISHED. RELEASED FOR PUBLICATION MAY 2011.
 © COPYRIGHT 2011 By Tyco Electronics Japan G.K. ALL RIGHTS RESERVED.

LOC	DIST	REVISIONS					
		P	LTR	DESCRIPTION	DATE	DWN	APVD
J	-	-	-	SEE SHEET 1	-	-	-

LGA13XX

先装处理器再移除盖片
 INSTALL PROCESSOR
 BEFORE REMOVING COVER
 保存并装回盖片当处理器被移除
 SAVE AND REPLACE COVER
 IF PROCESSOR IS REMOVED

REMOVE

REF 1.45

-C-

REF 5.03

XXXXXX

13XXLM

TE

REF 5.01

47

67.7

40.8

5.05

3.3

LGA13XX

先装处理器再移除盖片
 INSTALL PROCESSOR
 BEFORE REMOVING COVER
 保存并装回盖片当处理器被移除
 SAVE AND REPLACE COVER
 IF PROCESSOR IS REMOVED

REMOVE

ILM COVER
 P/N: 1-2134711-1

3D VIEW (REFERENCE)

1. MATERIAL

- ① FRAME: STAINLESS STEEL
- ② LOAD PLATE: STAINLESS STEEL
- ③ LEVER: SUS304, 2 DIA
FINISH: NICKEL PLATING
- ④ NUT: STEEL
FINISH: NICKEL PLATING
- ⑤ COLLAR: STEEL
FINISH: NICKEL PLATING
- ⑥ COVER: THERMO-PLASTIC, UL94 V-0, BLACK

2. APPLICABLE SOCKET ASSY LGA1366 OR SOCKET ASSY LGA1356
 (DRAWING NUMBER: 1981837 OR 1554116 OR 2229732)

- ⚠ DO NOT OPEN WITH FORCE FROM OPEN END
- ⚠ INDICATED DATE CODE ON THE FRAME
- ⚠ LOAD PLATE IS NOT LOCKED BY LEVER

2-1939738-1 : AS SHOWN
 UNLESS SPECIFIED
 DIMENSIONS ARE SAME WITH -1

THIS DRAWING IS A CONTROLLED DOCUMENT.		DWN			
DIMENSIONS: mm		CHK			
TOLERANCES UNLESS OTHERWISE SPECIFIED		APVD	NAME		
0 PLC ±		PRODUCT SPEC	ILM COVER ASSY		
1 PLC ± -		APPLICATION SPEC	LGA13XX		
2 PLC ± -		WEIGHT	SIZE	CAGE CODE	DRAWING NO
3 PLC ± -		MATERIAL	A2	00779	C=1939738
4 PLC ± -			CUSTOMER DRAWING		
ANGLES ± -		FINISH	SCALE	SHEET	REV
FINISH		NTS			3 OF 3
FINISH		U1			

1471-9 (3/11)

1939738

B

A