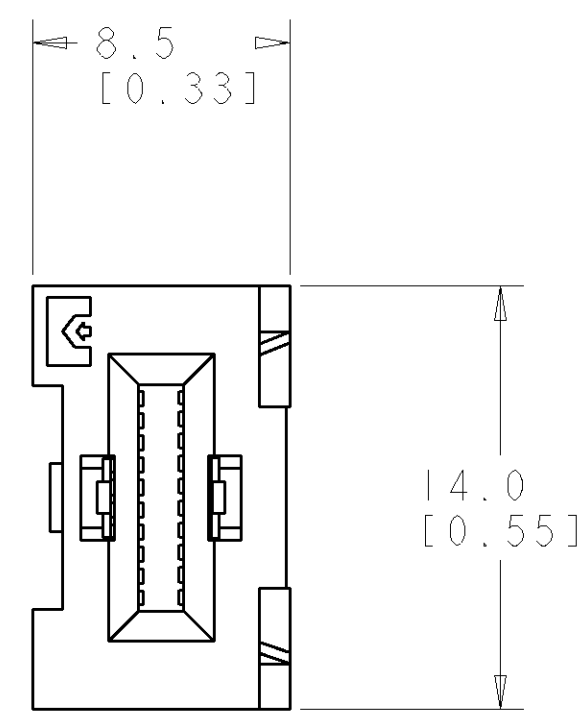


THIS DRAWING IS UNPUBLISHED. RELEASED FOR PUBLICATION 20
 © COPYRIGHT 20 BY TYCO ELECTRONICS CORPORATION. ALL RIGHTS RESERVED.

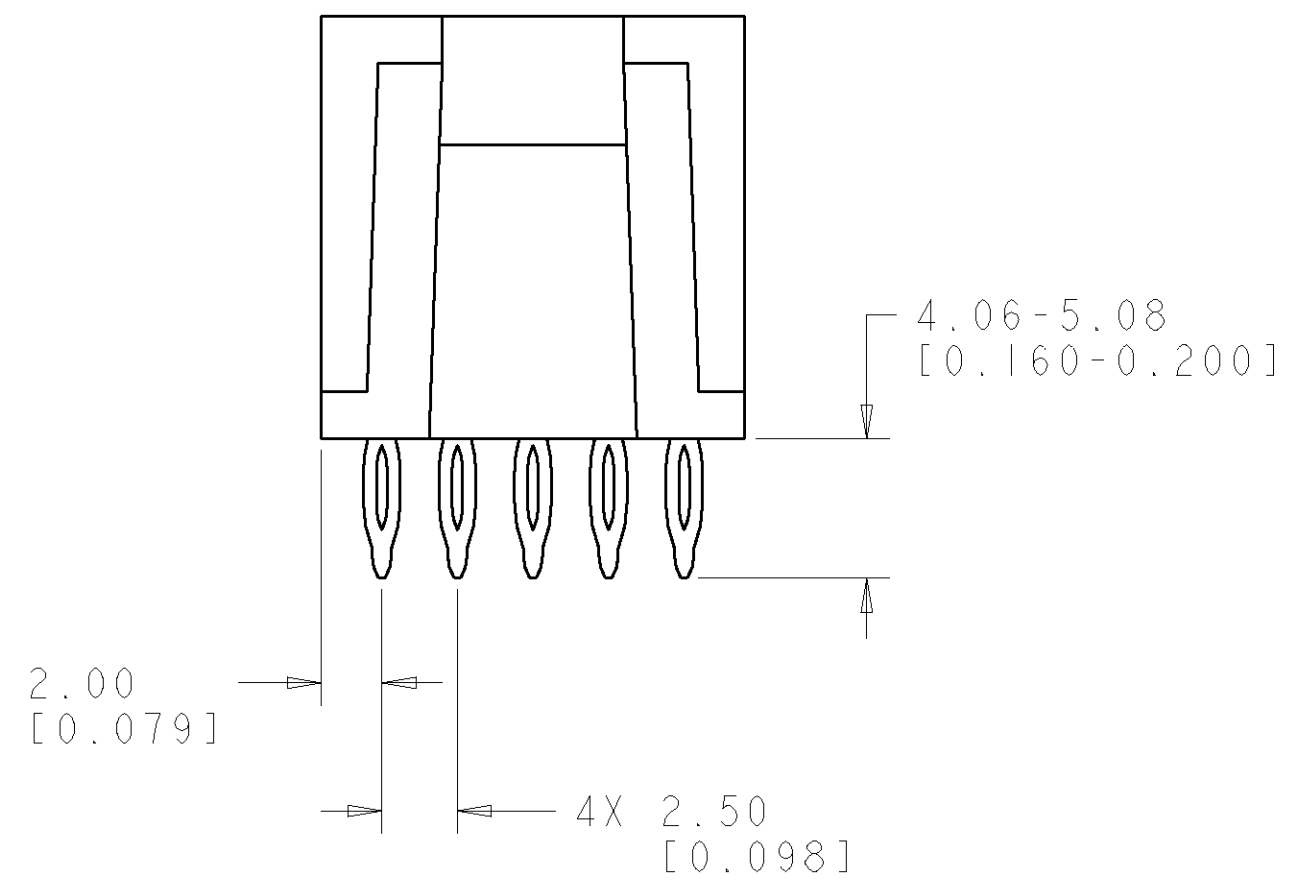
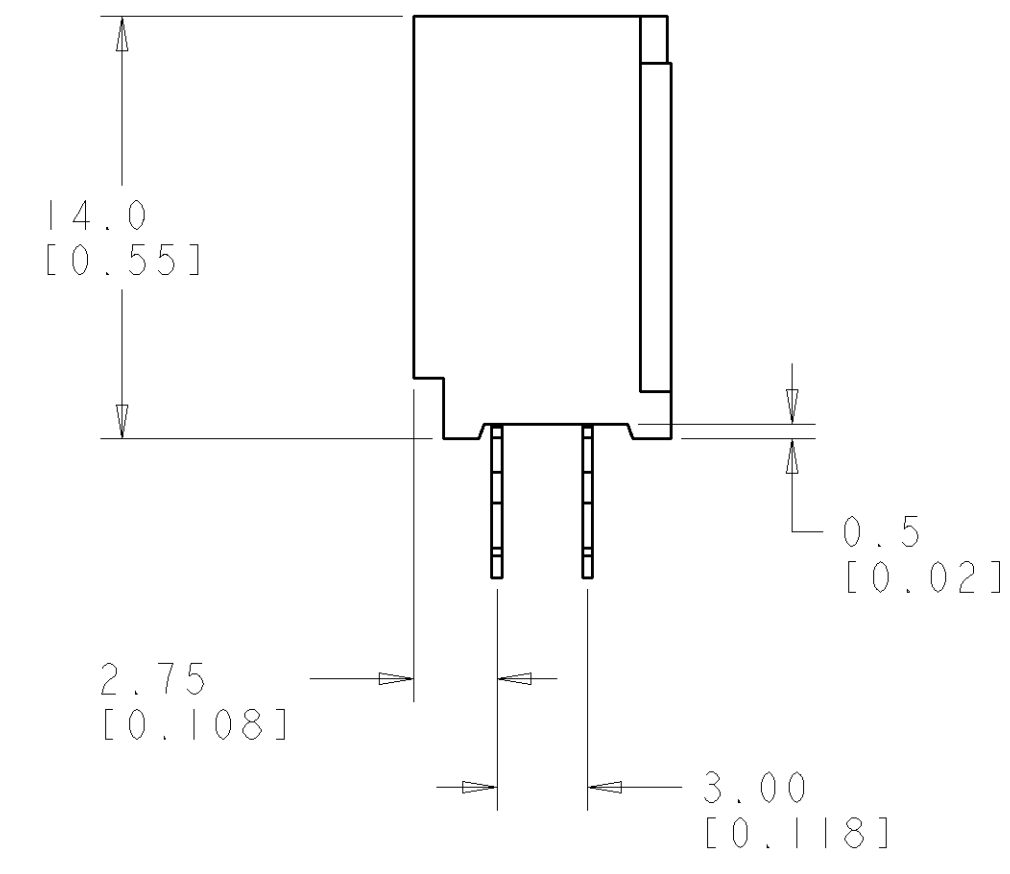
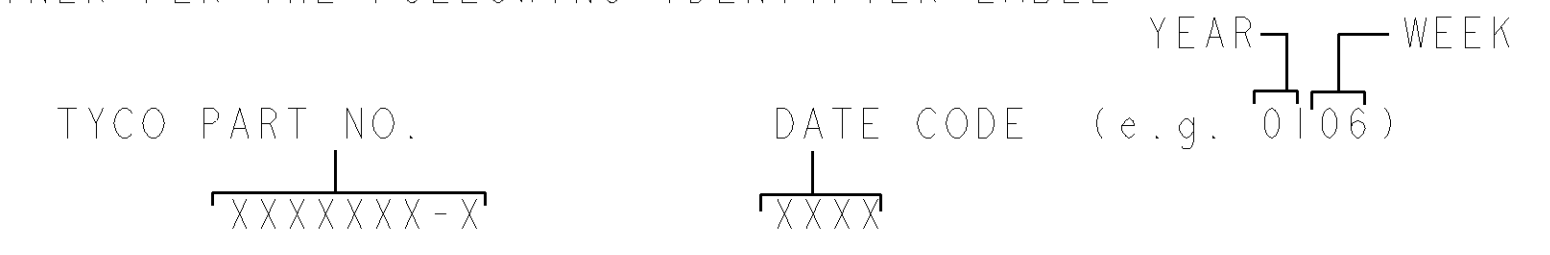
LOC	DIST	REVISIONS					
GP	00	P	LTR	DESCRIPTION	DATE	DWN	APVD
			A	RELEASED	2FEB07	RG	PD



- PART NUMBER CHANGES AND OR DESIGN CHANGES AFFECTING ITEM INTERCHANGEABILITY REQUIRE PRIOR TYCO APPROVAL AND AUTHORIZATION BY REVISION TO THIS DRAWING.
- MATERIAL:
 INSULATORS - THERMOPLASTIC, GLASS REINFORCED, COLOR: BLACK
 UL94V-0 FLAMMABILITY RATED.
 CONTACTS - COPPER ALLOY,
- FINISH:
 CONTACTS - GOLD PLATE .76µm MIN. THK. OVER NICKEL
 1.27µm MIN. THK
 COMPLIANT TAILS, TIN, MATTE FINISH 1.02µm MIN. THK.
 OVER NICKEL 1.27µm MIN THK.

4. CONTACT TYCO FOR RECOMMENDED PRESS TOOL DRAWING, FIX00229,

△ ITEMS PROVIDED TO THIS SPECIFICATION TO BE PERMANENTLY IDENTIFIED ON THE CONTAINER PER THE FOLLOWING IDENTIFIER LABEL



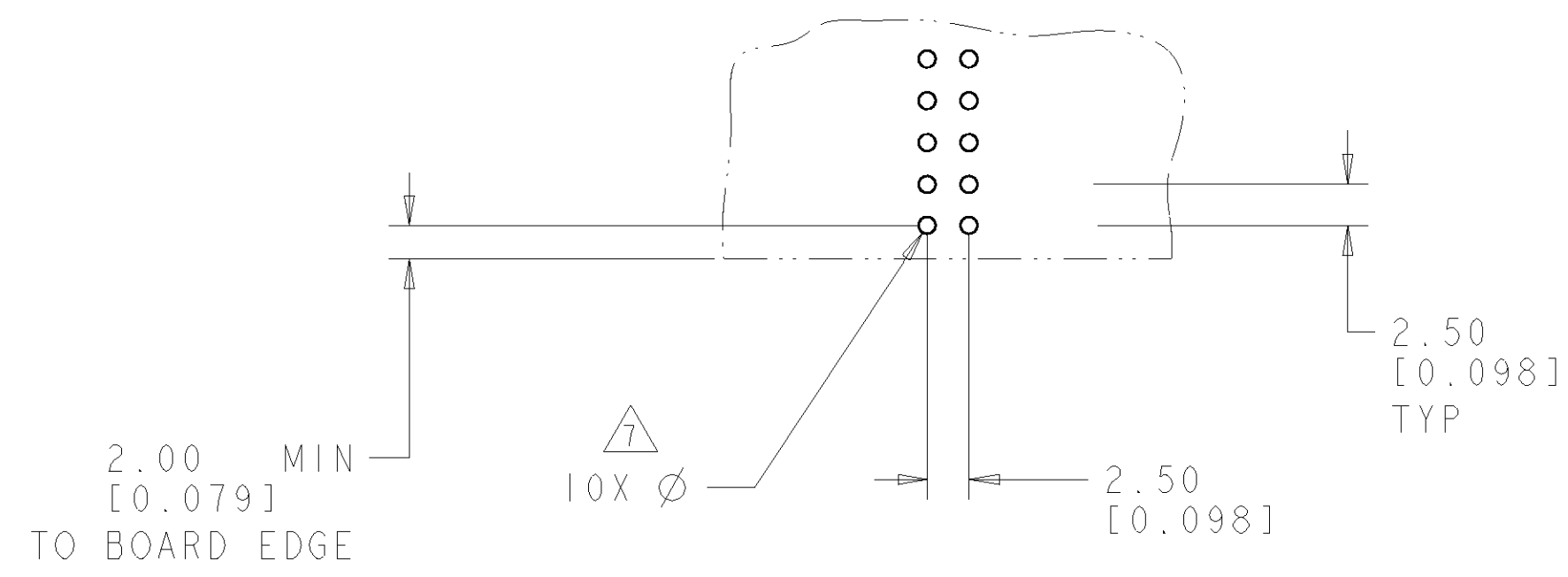
AS SHOWN	1766966-1
DESCRIPTION	PART NUMBER

THIS DRAWING IS A CONTROLLED DOCUMENT FOR TYCO ELECTRONICS CORPORATION. IT IS SUBJECT TO CHANGE AND THE CONTROLLING ENGINEERING ORGANIZATION SHOULD BE CONTACTED FOR THE LATEST REVISION.		DWN R. GRZYBOWSKI 2FEB07	tyco Tyco Electronics Harrisburg, PA 17105-3608 NAME STRAIGHT SOCKET CONNECTOR FP200 FLATPAQ SIZE CAGE CODE DRAWING NO RESTRICTED TO A200779C-1766966 - SCALE 3:1 SHEET 1 OF 3 REV A
DIMENSIONS: mm [INCHES]		CHK P. DAMATO 2FEB07	
TOLERANCES UNLESS OTHERWISE SPECIFIED:		APVD S. FLICKINGER 2FEB07	
0 PLC ± 1 PLC ±.5 [.020] 2 PLC ±.25 [.010] 3 PLC ± 4 PLC ± ANGLES ±.5 FINISH		PRODUCT SPEC - APPLICATION SPEC - WEIGHT -	
MATERIAL		CUSTOMER DRAWING	

ELCON **FLATPAQ**

THIS DRAWING IS UNPUBLISHED. RELEASED FOR PUBLICATION 20
 © COPYRIGHT 20 BY TYCO ELECTRONICS CORPORATION. ALL RIGHTS RESERVED.

LOC	DIST	REVISIONS					
		P	LTR	DESCRIPTION	DATE	DWN	APVD
GP	00	-		SEE SHEET 1	-	-	-



PRINTED CIRCUIT LAYOUT
 COMPONENT SIDE

CONNECTOR	CATALOG MODULE #	QTY	SIZE NO.	CONTACT QTY	MATING PIN	MAX. CURRENT (PER CONTACT)	CONTACT SPACING	VOLTAGE RATING
SOCKET	FP200	1	8	2	1.25 X 7.00 [.049 X .276]	35 amps	7.50 [.2953]	250 VOLTS

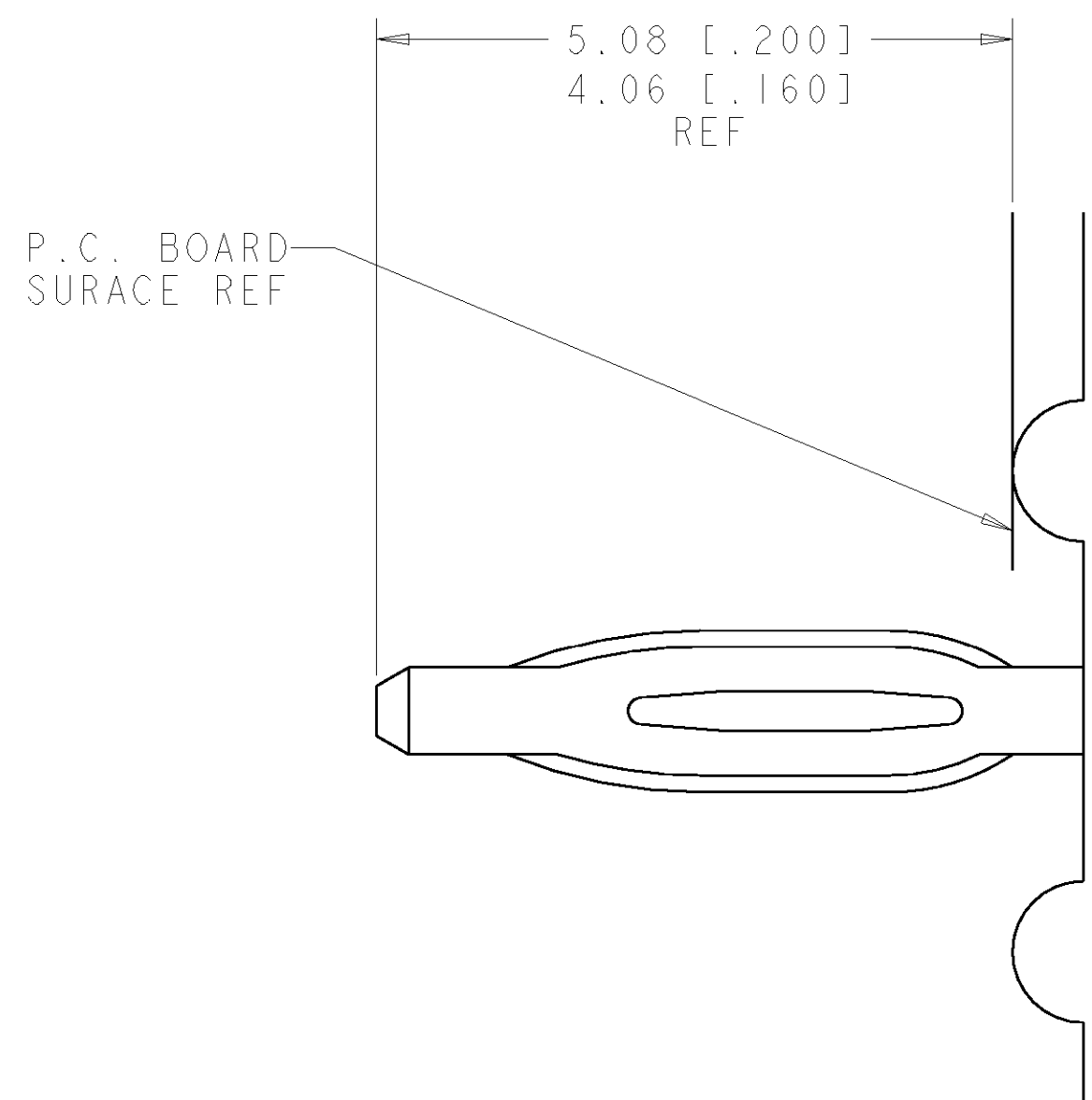
THIS DRAWING IS A CONTROLLED DOCUMENT FOR TYCO ELECTRONICS CORPORATION. IT IS SUBJECT TO CHANGE AND THE CONTROLLING ENGINEERING ORGANIZATION SHOULD BE CONTACTED FOR THE LATEST REVISION.

DWN	R. GRZYBOWSKI	2FEB07	 Tyco Electronics Harrisburg, PA 17105-3608
CHK	P. DAMATO	2FEB07	
APVD	S. FLICKINGER	2FEB07	
NAME	STRAIGHT SOCKET CONNECTOR		
PRODUCT SPEC	-		FP200 FLATPAQ
APPLICATION SPEC	-		SIZE CAGE CODE DRAWING NO. RESTRICTED TO
WEIGHT	-		A200779C-1766966 -
CUSTOMER DRAWING	SCALE 3:1 SHEET 2 OF 3 REV A		

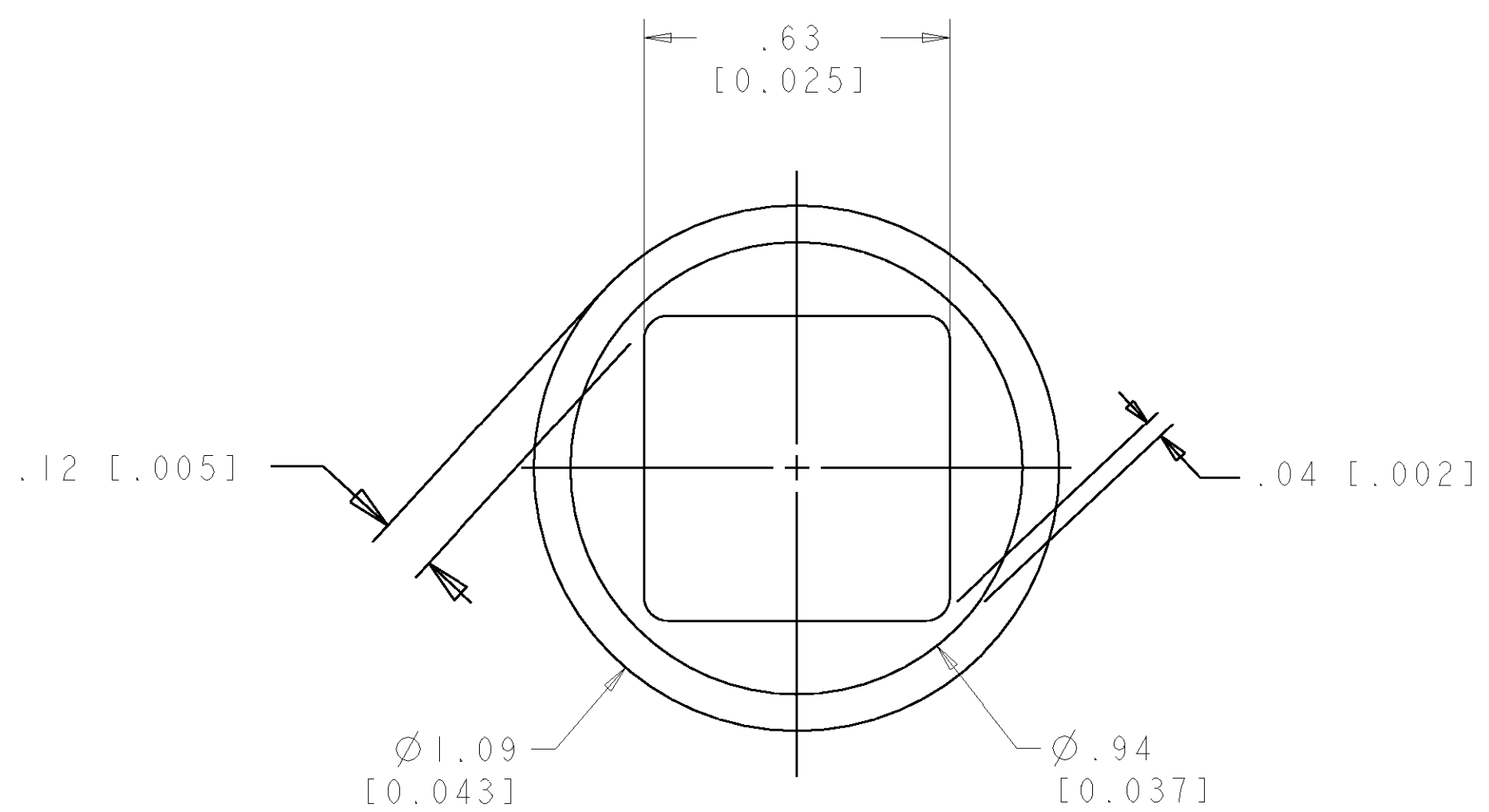
ELCON **FLATPAQ**

THIS DRAWING IS UNPUBLISHED. RELEASED FOR PUBLICATION 20
 © COPYRIGHT 20 BY TYCO ELECTRONICS CORPORATION. ALL RIGHTS RESERVED.

LOC	DIST	REVISIONS			
P	LTR	DESCRIPTION	DATE	DWN	APVD
GP	00	-	SEE SHEET 1	-	-



6. COMPLIANT PIN DETAIL
 SCALE 10 : 1
 INSERTION/EXTRACTION FORCES
 MAXIMUM PUSH IN: 133.3N PER PIN
 [30 LBS]
 MINIMUM PUSH OU: 44.4N PER PIN
 [10 LBS]



7. SOLDER TERMINATION AREA
 SCALE 40:1
 RECOMMENDED PRINTED CIRCUIT HOLE
 COMPLIANT PRESS FIT
 DRILLED HOLE: Ø1.15 [0.0453] ±.013 [0.0005]
 COPPER PLATE: .025 [0.0010] TO .050 [0.0020]
 TIN PLATE: .0005 [0.000020] MIN. (PER SURFACE)

ELCON **FLATPAQ**

THIS DRAWING IS A CONTROLLED DOCUMENT FOR TYCO ELECTRONICS CORPORATION IT IS SUBJECT TO CHANGE AND THE CONTROLLING ENGINEERING ORGANIZATION SHOULD BE CONTACTED FOR THE LATEST REVISION.		DWN R. GRZYBOWSKI 2FEB07	Tyco Electronics Harrisburg, PA 17105-3608	
DIMENSIONS: mm [INCHES]		CHK P. DAMATO 2FEB07	NAME STRAIGHT SOCKET CONNECTOR	
TOLERANCES UNLESS OTHERWISE SPECIFIED: 0 PLC ±.5 [0.020] 1 PLC ±.5 [0.020] 2 PLC ±.25 [0.010] 3 PLC ±.25 [0.010] 4 PLC ±.25 [0.010] ANGLES ±.5		APVD S. FLICKINGER 2FEB07	PRODUCT SPEC -	
MATERIAL -		APPLICATION SPEC -	SIZE A200779	DRAWING NO. C-1766966
FINISH -		WEIGHT -	RESTRICTED TO -	SCALE 3:1 SHEET 3 OF 3 REV A
CUSTOMER DRAWING				