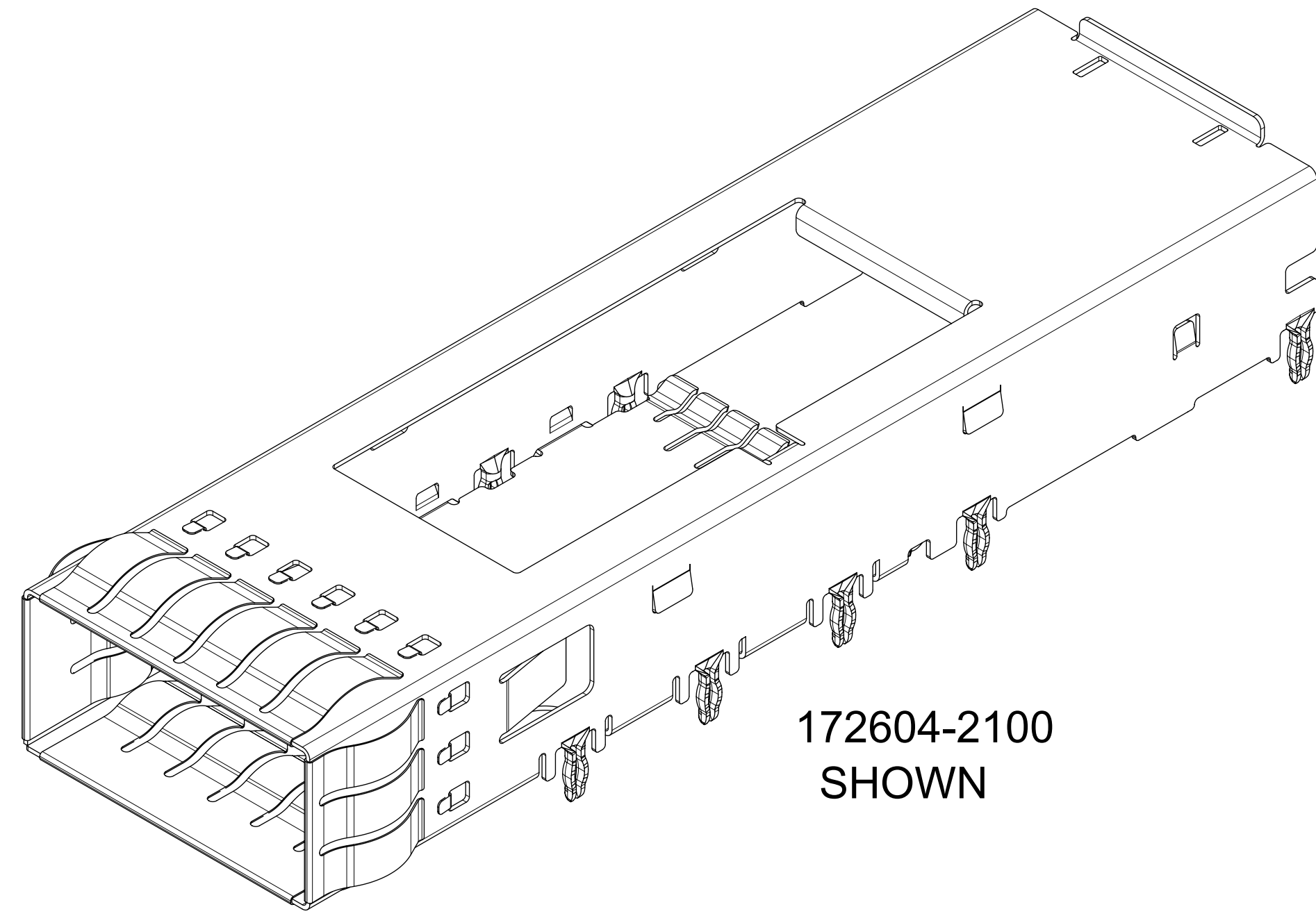
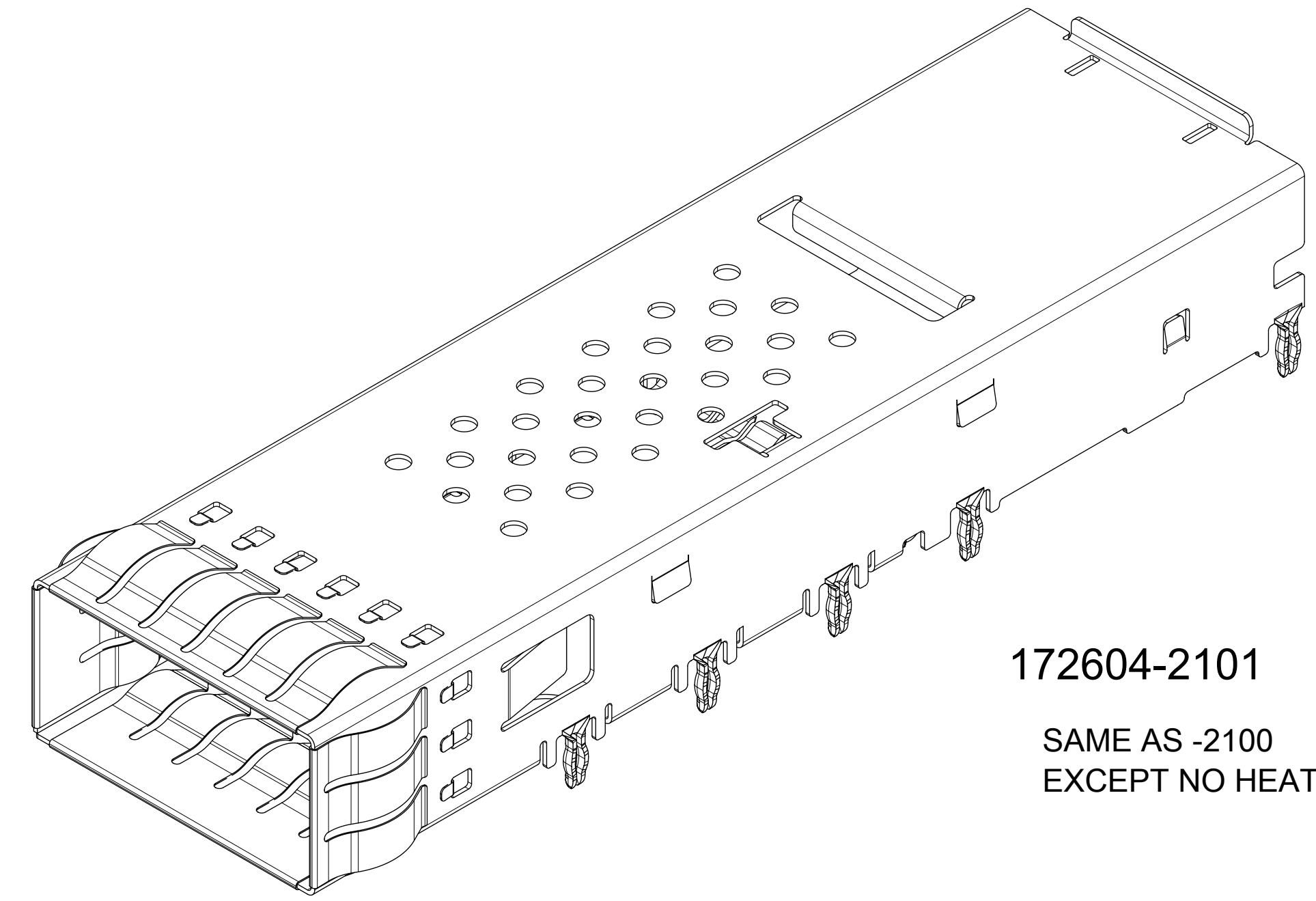


| PART NUMBER | DESCRIPTION  | HEAT SINK   | HEAT SINK CLIP |
|-------------|--|-------------|----------------|
| 172604-2100 | CONNECTOR CAGE (ACCEPTS STANDARD HEAT SINK, STANDARD CLIP) | 100013-0338 | 100013-0181    |
| 172604-2101 | CONNECTOR CAGE (DOES NOT ACCEPT HEAT SINK OR CLIP)         | N/A         | N/A            |

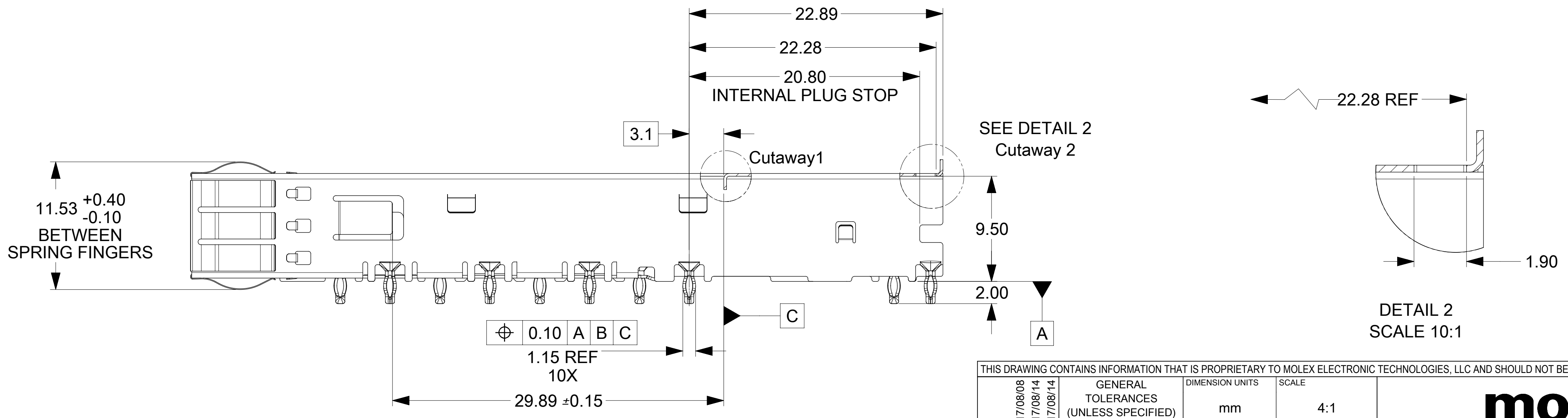
\* HEAT SINK AND CLIP SOLD SEPARATELY



172604-2100 SHOWN



172604-2101  
SAME AS -2100 EXCEPT NO HEAT SINK



DETAIL 2 SCALE 10:1

- NOTES:
- MATERIALS:
    - CAGE: STAINLESS STEEL
    - EMI SPRINGS: COPPER ALLOY
  - FOR USE WITH IFT MODULE 172604-0002 AND -1002
  - COMPONENTS ARE RoHS COMPLIANT
  - PACKAGING: TRAY PACK

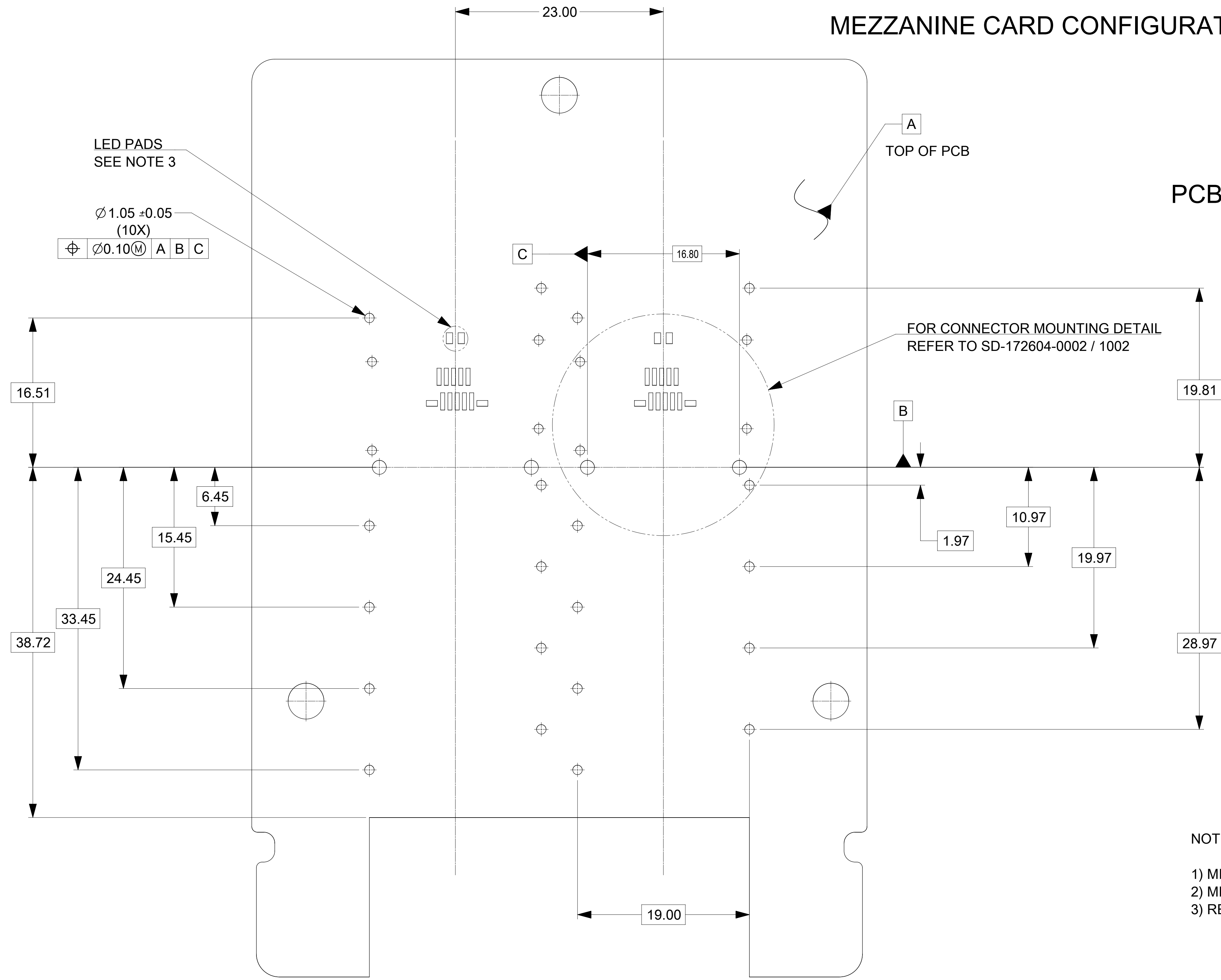
THIS DRAWING CONTAINS INFORMATION THAT IS PROPRIETARY TO MOLEX ELECTRONIC TECHNOLOGIES, LLC AND SHOULD NOT BE USED WITHOUT WRITTEN PERMISSION

|   |  |                                       |                        |                          |                 |                       |
|---|--|---------------------------------------|------------------------|--------------------------|-----------------|-----------------------|
| MIGRATED TO INXECTR<br>EC NO: 120648<br>DRWN: ABN<br>CHKD: MCAIN<br>REV APPR: SMILLER | 2017/08/08   | GENERAL TOLERANCES (UNLESS SPECIFIED) | DIMENSION UNITS        | SCALE                    |                 |                       |
|   | 2017/08/14   | ANGULAR TOL ± 0.5 °                   | mm                     | 4:1                      |                 |                       |
|   | 2017/08/14   | 4 PLACES ±                            | DRWN BY                | DATE                     |                 |                       |
|   |  | 3 PLACES ±                            | MWOLFE                 | 2017/01/06               |                 |                       |
|   |  | 2 PLACES ± 0.13                       | CHKD BY                | DATE                     |                 |                       |
|   |  | 1 PLACE ± 0.25                        | MCAIN                  | 2017/08/14               |                 |                       |
|   | 0 PLACES ±   | APPR BY                               | DATE                   | PRODUCT CUSTOMER DRAWING |                 |                       |
|   | DRAFT WHERE APPLICABLE MUST REMAIN WITHIN DIMENSIONS | SMILLER                               | 2017/08/14             | SERIES                   | MATERIAL NUMBER | CUSTOMER              |
|   |  | DRAWING SIZE                          | THIRD ANGLE PROJECTION | 172604                   | 172604-21**     | GENERAL MARKET        |
|   |  | D                                     |                        | DOCUMENT NUMBER          | DOC TYPE        | DOC PART SHEET NUMBER |
|   |  |                                       |                        | SD-172604-2100           | PSD             | 001 1 OF 4            |

# MEZZANINE CARD CONFIGURATION

## PCB HOLE LAYOUT FOR PRESS-IN CAGE

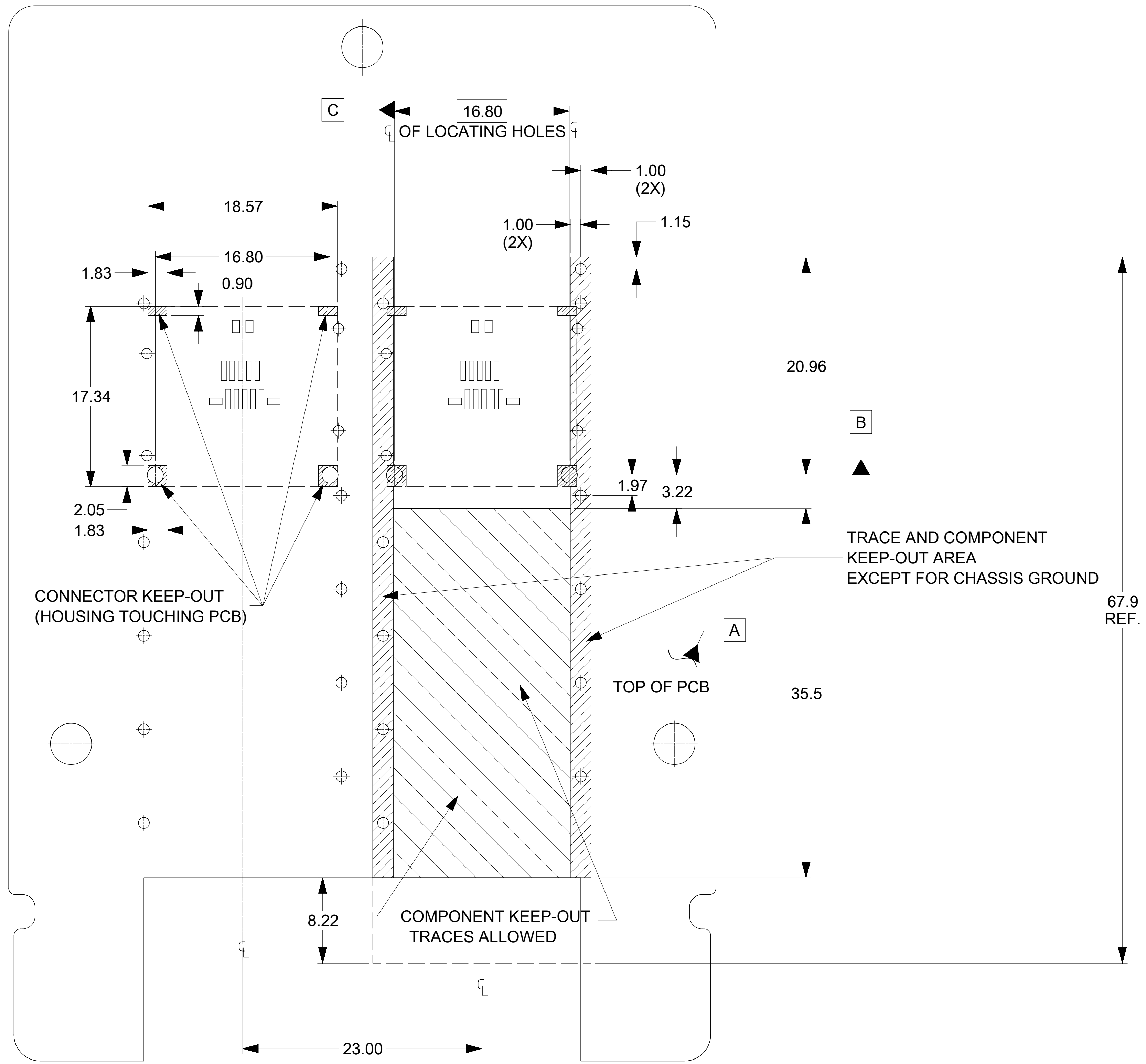
SINGLE SIDED APPLICATION HOLE PATTERN SHOWN



### NOTES:

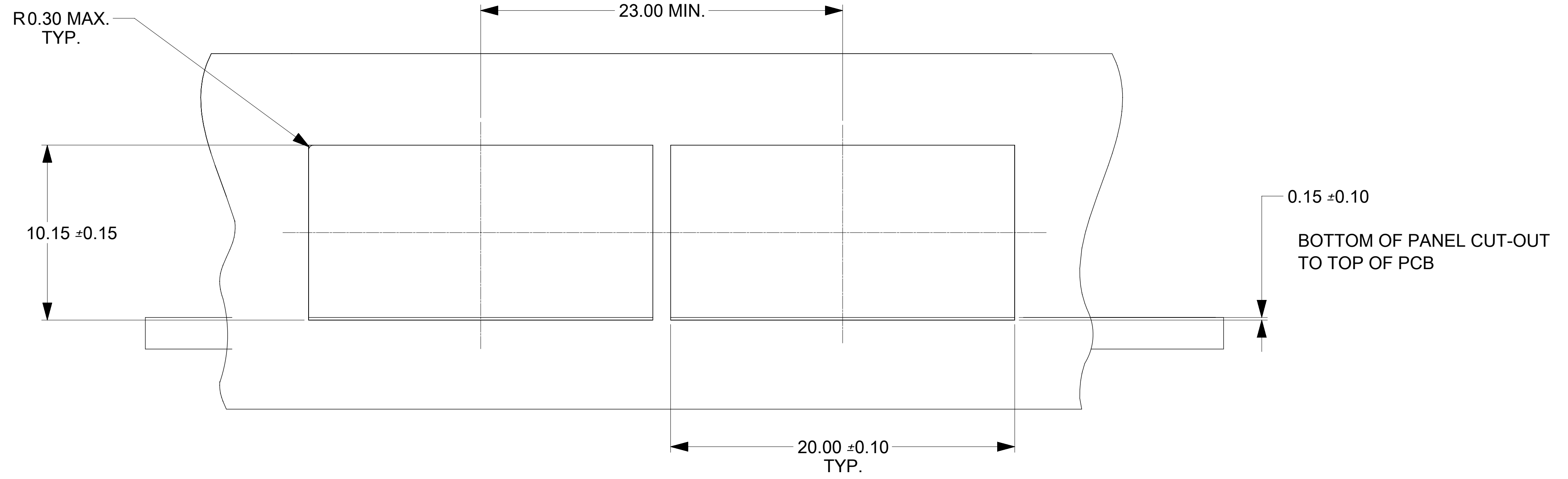
- 1) MINIMUM PCB THICKNESS: 1.83 mm / .072 in. FOR DOUBLE SIDED (BELLY-TO-BELLY) APPLICATIONS.
- 2) MINIMUM PCB THICKNESS: 1.57 mm / .063 in. FOR SINGLE SIDED APPLICATIONS.
- 3) RECOMMENDED LED PACKAGE: 1608/0603 0.4mm HIGH MAX.

|   |  |                                       |                    |                        |  |   |     |     |        |  |  |
|---|--|---------------------------------------|--------------------|------------------------|--|---|-----|-----|--------|--|--|
| THIS DRAWING CONTAINS INFORMATION THAT IS PROPRIETARY TO MOLEX ELECTRONIC TECHNOLOGIES, LLC AND SHOULD NOT BE USED WITHOUT WRITTEN PERMISSION |  |                                       |                    |                        |  |   |     |     |        |  |  |
| MIGRATED TO INXECTR   | 2017/08/08   | GENERAL TOLERANCES (UNLESS SPECIFIED) |                    | DIMENSION UNITS        | SCALE  | <b>molex</b><br>IFT CONNECTOR EMI CAGES |     |     |        |  |  |
|   | 2017/08/14   | ANGULAR TOL ± 0.5 °                   |                    | mm                     | 4:1  |   |     |     |        |  |  |
|   | 2017/08/14   | 4 PLACES ±                            |                    | DRWN BY                | DATE   |   |     |     |        |  |  |
|   | 2017/08/14   | 3 PLACES ±                            |                    | MWOLFE                 | 2017/01/06   | PRODUCT CUSTOMER DRAWING                |     |     |        |  |  |
|   | 2017/08/14   | 2 PLACES ± 0.13                       |                    | CHKD BY                | DATE   |   |     |     |        |  |  |
|   | 2017/08/14   | 1 PLACE ± 0.25                        |                    | MCAIN                  | 2017/08/14   |   |     |     |        |  |  |
| 2017/08/14  | 0 PLACES ±   |                                       | APPR BY            | DATE                   | SERIES: 172604 MATERIAL NUMBER: 172604-21** CUSTOMER: GENERAL MARKET |   |     |     |        |  |  |
| 2017/08/14  | DRAFT WHERE APPLICABLE MUST REMAIN WITHIN DIMENSIONS |                                       | SMILLER            | 2017/08/14             |  |   |     |     |        |  |  |
| 2017/08/14  | DRAFT WHERE APPLICABLE MUST REMAIN WITHIN DIMENSIONS |                                       | DRAWING SIZE       | THIRD ANGLE PROJECTION |  |   |     |     |        |  |  |
| EC NO: 120648   | DRWN: ABN  | CHKD: MCAIN                           | REV: APPR: SMILLER | D                      | SD-172604-2100   |   | PSD | 001 | 2 OF 4 |  |  |

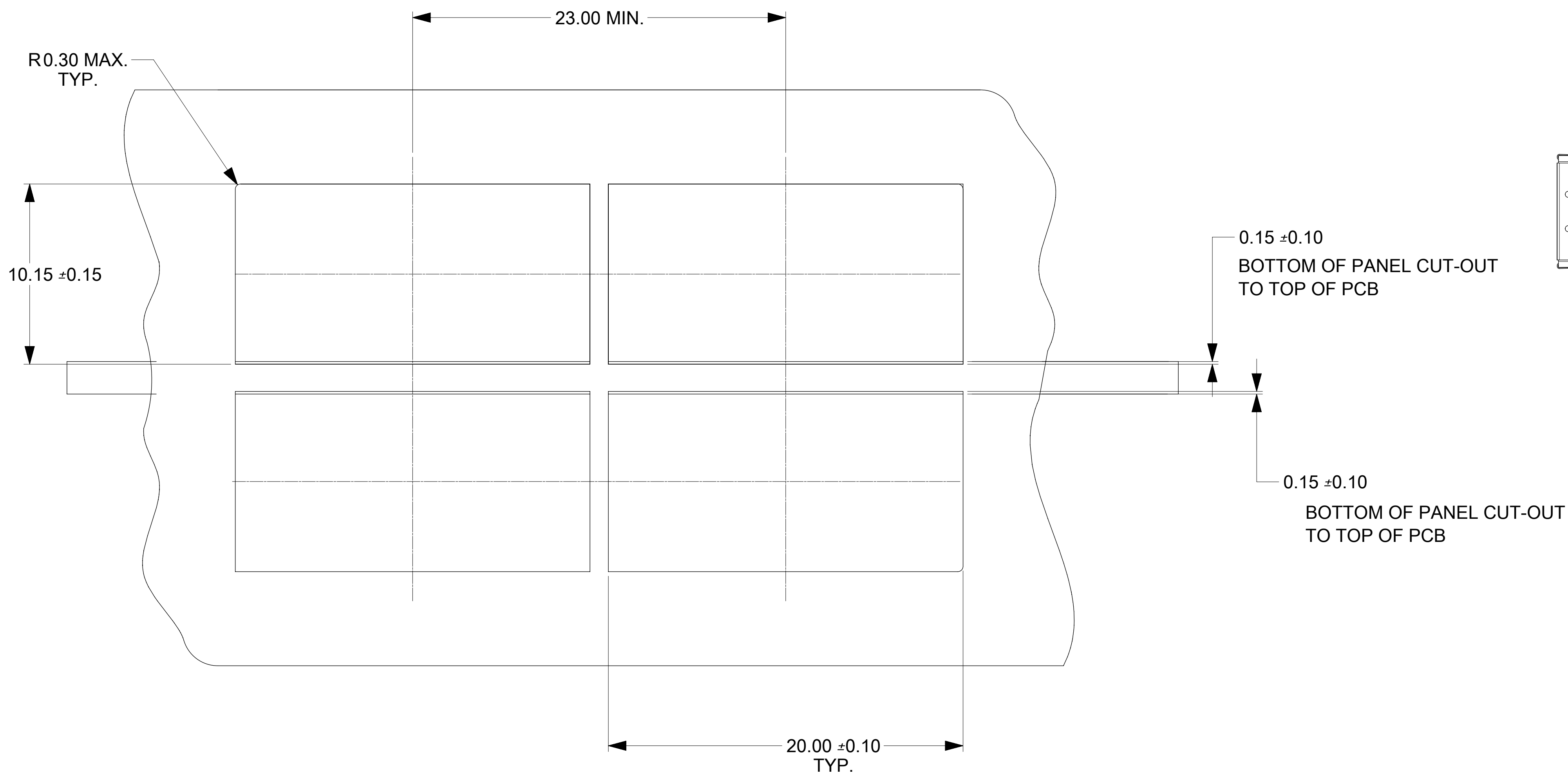


### CONNECTOR AND CAGE KEEP-OUT ZONES

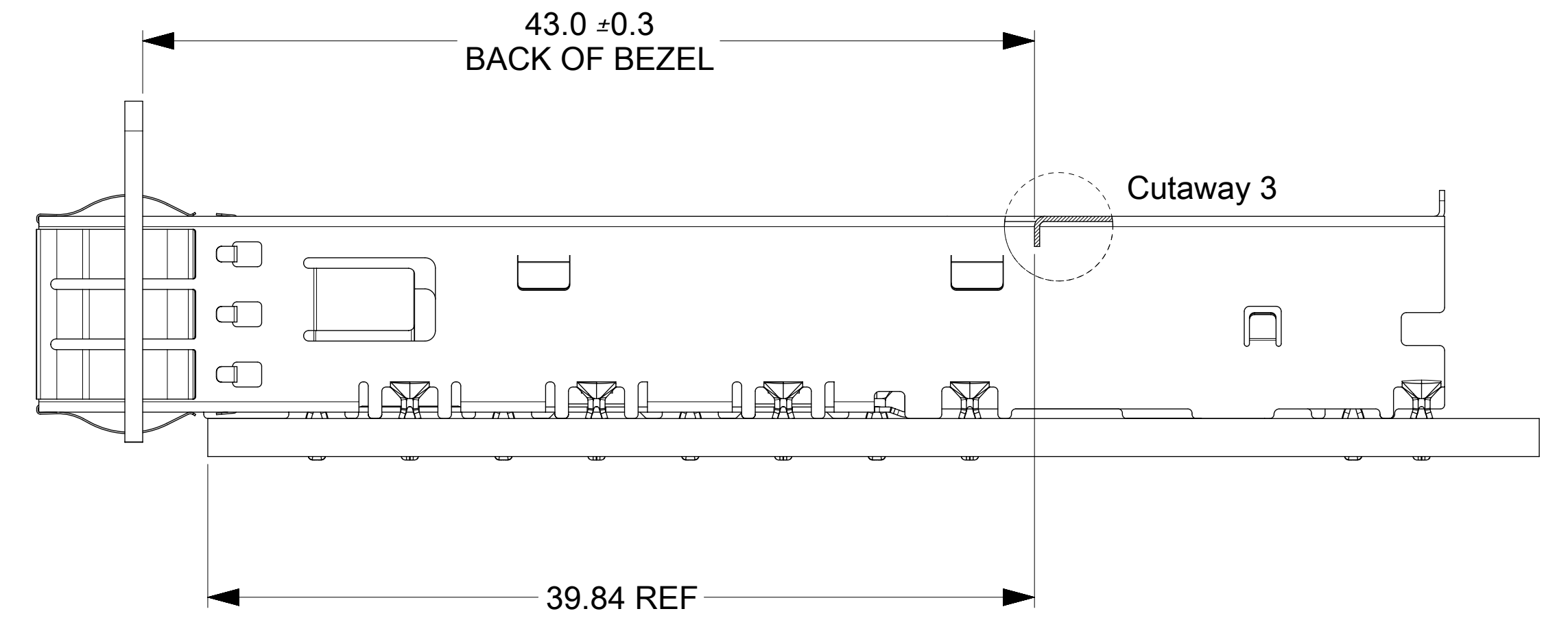
|   |  |                                       |                        |                 |  |  |                |               |  |  |  |
|---|--|---------------------------------------|------------------------|-----------------|--|--|----------------|---------------|--|--|--|
| THIS DRAWING CONTAINS INFORMATION THAT IS PROPRIETARY TO MOLEX ELECTRONIC TECHNOLOGIES, LLC AND SHOULD NOT BE USED WITHOUT WRITTEN PERMISSION |  |                                       |                        |                 |  |  |                |               |  |  |  |
| MIGRATED TO INXECTR<br>EC NO: 120648<br>DRWN: ABN<br>CHKD: MCAIN<br>REV APPR: SMILLER   | 2017/08/08   | GENERAL TOLERANCES (UNLESS SPECIFIED) |                        | DIMENSION UNITS | SCALE  | <b>molex</b><br>IFT CONNECTOR<br>EMI CAGES |                |               |  |  |  |
|   | 2017/08/14   | ANGULAR TOL ± 0.5 °                   |                        | mm              | 4:1  |  |                |               |  |  |  |
|   | 2017/08/14   | 4 PLACES ±                            | DRWN BY                | DATE            |  | PRODUCT CUSTOMER DRAWING                   |                |               |  |  |  |
|   | 2017/08/14   | 3 PLACES ±                            | MWOLFE                 | 2017/01/06      |  |  |                |               |  |  |  |
|   |  | 2 PLACES ± 0.13                       | CHKD BY                | DATE            |  | SERIES MATERIAL NUMBER CUSTOMER            |                |               |  |  |  |
|   |  | 1 PLACE ± 0.25                        | MCAIN                  | 2017/08/14      |  |  |                |               |  |  |  |
|   | 0 PLACES ±   | APPR BY                               | DATE                   |                 | DOCUMENT NUMBER DOC TYPE DOC PART SHEET NUMBER |  |                |               |  |  |  |
|   | DRAFT WHERE APPLICABLE MUST REMAIN WITHIN DIMENSIONS | SMILLER                               | 2017/08/14             |                 |  |  |                |               |  |  |  |
| <b>A</b>  |  | DRAWING SIZE                          | THIRD ANGLE PROJECTION |                 | 172604   | 172604-21**                                | GENERAL MARKET |               |  |  |  |
|   |  | <b>D</b>                              |                        |                 | SD-172604-2100                                 | PSD  | 001            | <b>3 OF 4</b> |  |  |  |



PANEL CUT-OUT FOR SINGLE SIDED MOUNTING



PANEL CUT-OUT FOR BELLY-TO-BELLY MOUNTING



THIS DRAWING CONTAINS INFORMATION THAT IS PROPRIETARY TO MOLEX ELECTRONIC TECHNOLOGIES, LLC AND SHOULD NOT BE USED WITHOUT WRITTEN PERMISSION

|   |  |                                       |                        |            |    |
|---|--|---------------------------------------|------------------------|------------|----|
| MIGRATED TO INXECTR<br>EC NO: 120648<br>DRWN: ABN<br>CHKD: MCAIN<br>REV APPR: SMILLER | 2017/08/08   | GENERAL TOLERANCES (UNLESS SPECIFIED) | DIMENSION UNITS        | SCALE      |    |
|   | 2017/08/14   | ANGULAR TOL ± 0.5 °                   | mm                     | 6:1        |    |
|   | 2017/08/14   | 4 PLACES ±                            | DRWN BY                | DATE       |    |
|   |  | 3 PLACES ±                            | MWOLFE                 | 2017/01/06 |    |
|   |  | 2 PLACES ± 0.13                       | CHKD BY                | DATE       |    |
|   | 1 PLACE ± 0.25                                       | MCAIN                                 | 2017/08/14             |            |    |
|   | 0 PLACES ±   | APPR BY                               | DATE                   |            |    |
|   | DRAFT WHERE APPLICABLE MUST REMAIN WITHIN DIMENSIONS | SMILLER                               | 2017/08/14             |            |    |
|   |  | DRAWING SIZE                          | THIRD ANGLE PROJECTION |            |    |
|   |  | D                                     |                        |            |    |
| RELEASE STATUS  | P1   | RELEASE DATE                          | 14.08.2017             | 19:01:48   |    |
| 19  | 18   | 17                                    | 16                     | 15         | 14 |
| 13  | 12   | 11                                    | 10                     | 9          | 8  |
| 7   | 6  | 5                                     | 4                      | 3          | 2  |
| 1   |  |                                       |                        |            |    |

|                          |                 |                       |
|--------------------------|-----------------|-----------------------|
| PRODUCT CUSTOMER DRAWING |                 |                       |
| SERIES                   | MATERIAL NUMBER | CUSTOMER              |
| 172604                   | 172604-21**     | GENERAL MARKET        |
| DOCUMENT NUMBER          | DOC TYPE        | DOC PART SHEET NUMBER |
| SD-172604-2100           | PSD             | 001 4 OF 4            |