

H G F E D C B A

4

4

3

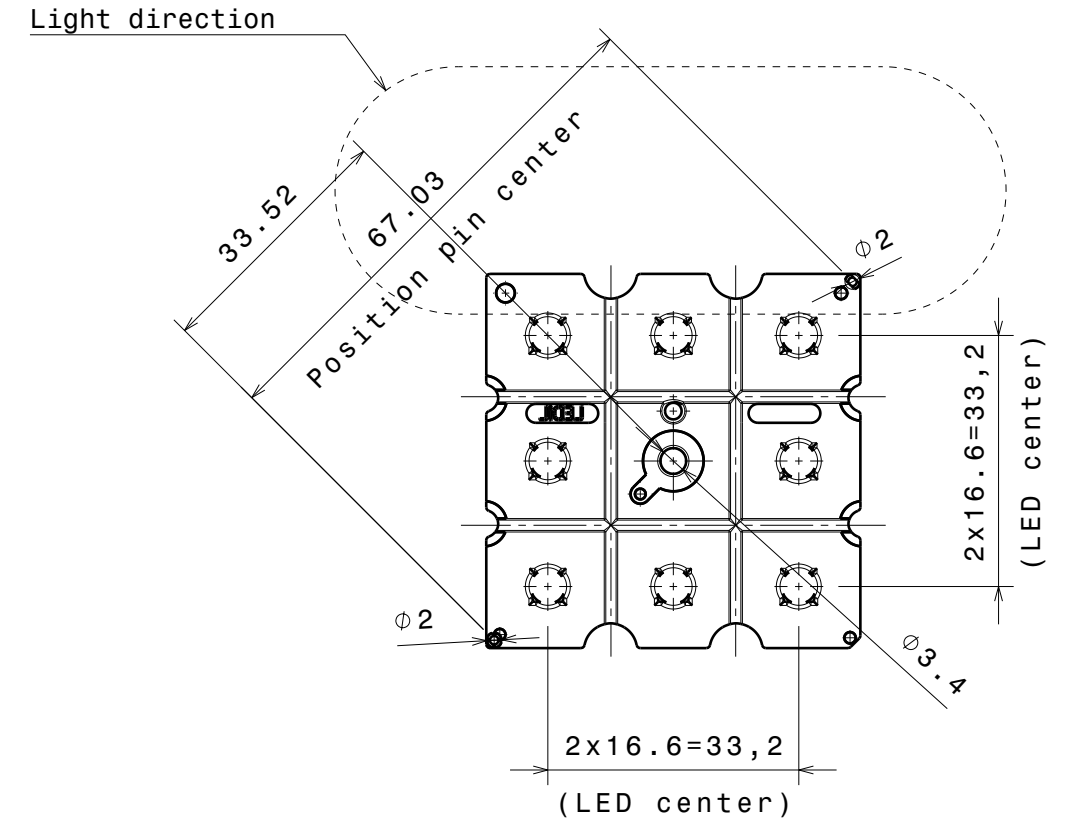
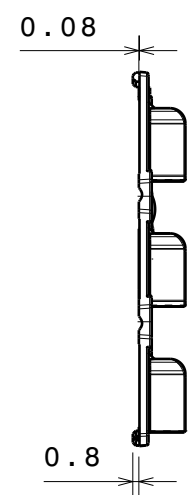
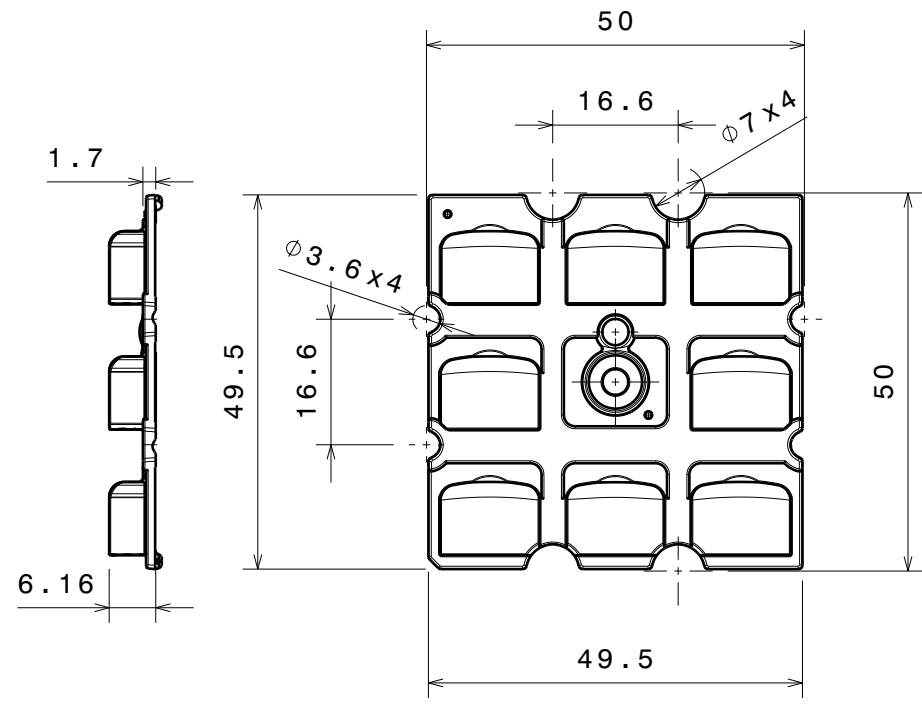
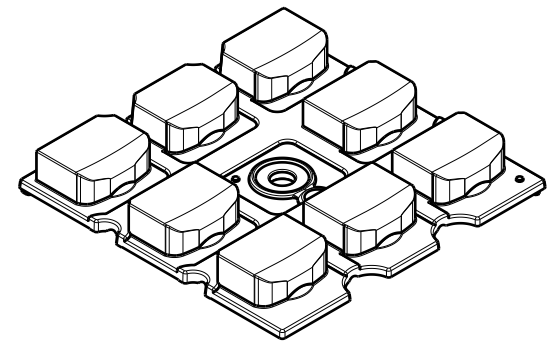
3

2

2

1

1



Note: recommended fixing screw torque 0,6Nm

INDEX	PART NO	DESCRIPTION	MATERIAL	COLOUR
1	C16052	STRADELLA-8-HV-ME-N	PMMA	Clear

Tolerances if not otherwise shown
 According to DIN ISO 2768-1
 Linear measures:
 Up to 30mm class M, otherwise class C.
 According to DIN ISO 2768-2
 Form and position: class L

LEDiL LediL Oy
 Salorankatu 10
 FIN 24240 SALO
 Finland

THIRD ANGLE PROJECTION:

DRAWING TITLE
C16052_STRADELLA-8-HV-ME-N

This drawing is the property of LEDiL Oy. It may not be reproduced, copied or communicated without a written agreement with LEDiL Oy.

SIZE **A3** PART NUMBER **C16052**

SCALE 1:1 WEIGHT - SHEET 1/1

H G B A