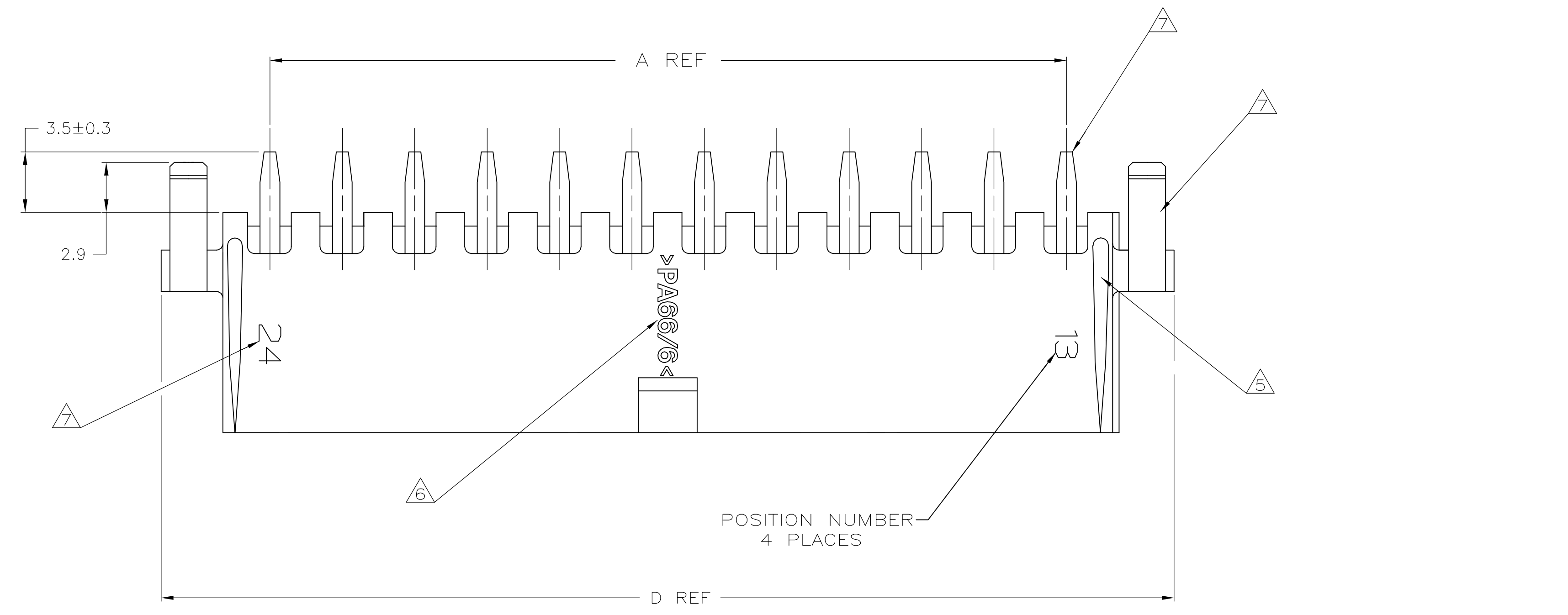
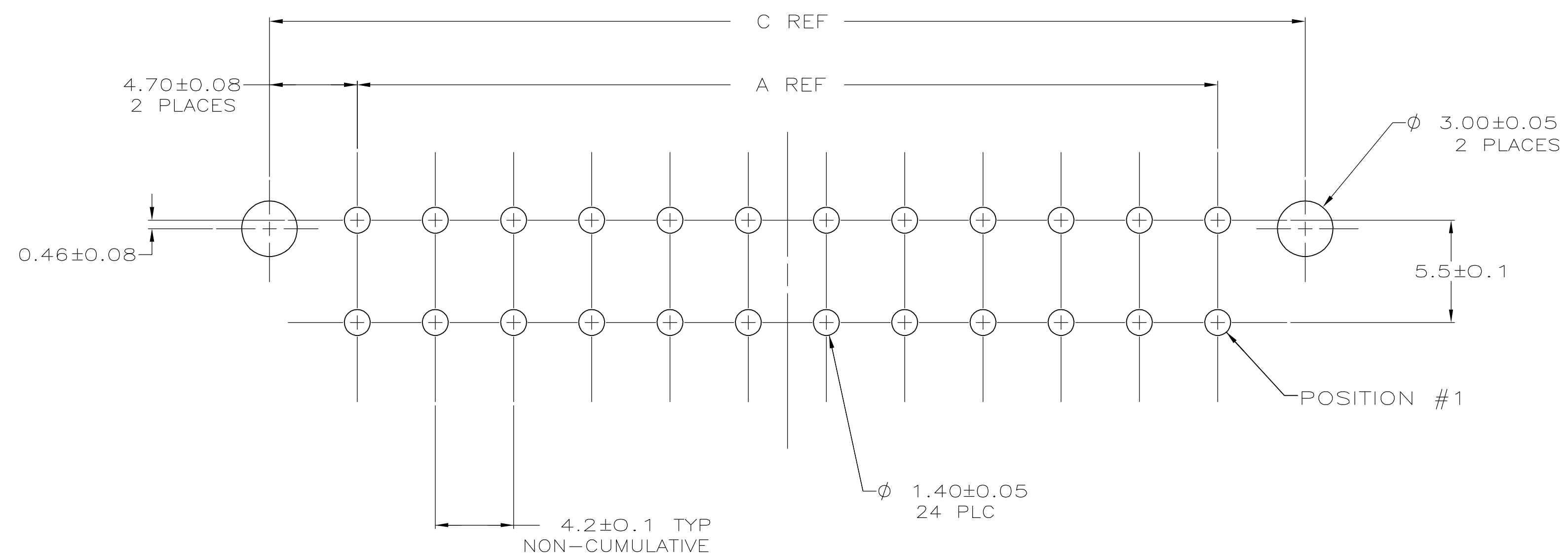
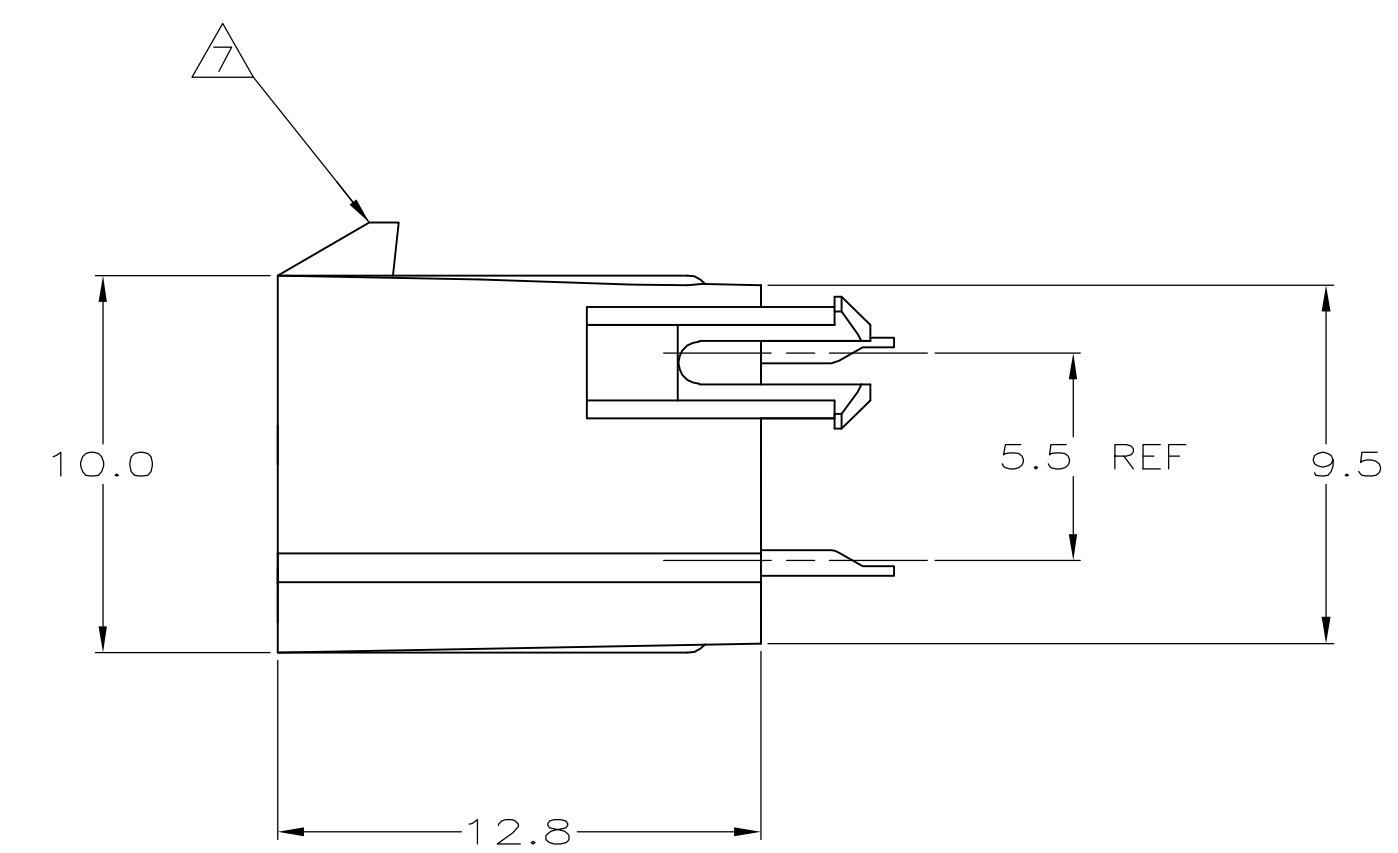
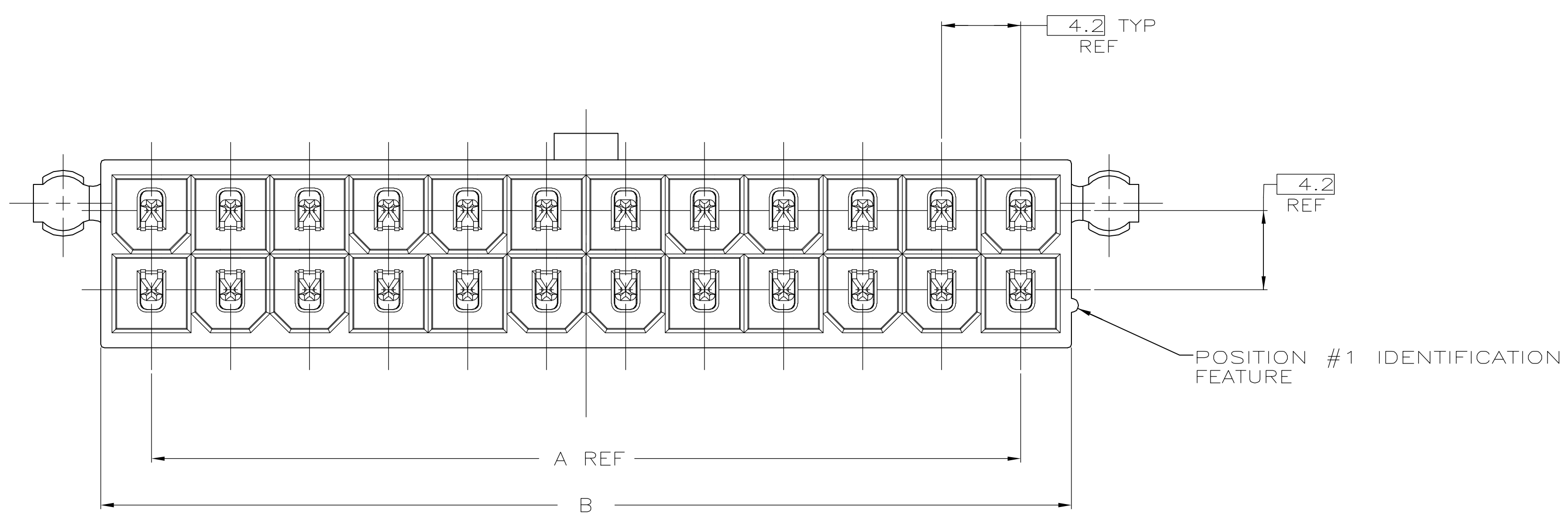


LOC		DIST		REVISIONS			
CM	00	REV	DATE	BY	APP'D	DATE	REV
		01	11OCT05	KW	DC		

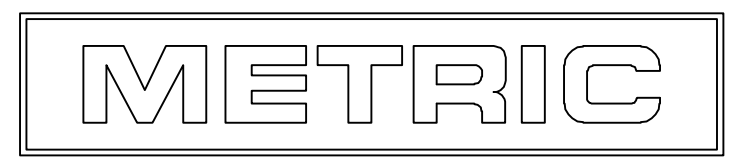


- △ MATERIAL: HOUSING - NYLON, UL94V-0 (COLOR - WHITE, COLOR OF PARTS MAY VARY). CONTACTS - 0.25 THK COPPER ALLOY.
- △ CONTACT FINISH: 0.003 MIN THK TIN OVER 0.00127 MIN THK NICKEL OVER ENTIRE CONTACT.
- 3. SOLDER TAIL MEETS AMP SOLDERABILITY SPECIFICATION 109-11-2.
- 4. MATES WITH SIMILARLY PLATED AMP-DUAC™ POWER CONNECTOR RECEPTACLE HOUSINGS/SOCKET CONTACTS.
- △ RIBS ON FOUR CORNERS OPTIONAL.
- △ AMP LOGO AND MATERIAL ID MAY BE LOCATED ON EITHER LONG SIDE OF PART.
- △ SIZE, SHAPE OR STYLE OF THIS FEATURE MAY VARY.



RECOMMENDED MOUNTING HOLE PATTERN FOR 1.78 MAX THICK P.C. BOARD COMPONENT SIDE SHOWN

D	C	B	A	NO. OF POSITIONS	PART NO
58.8	55.6	51.6	46.2	24	2-1586493-4
54.6	51.4	47.4	42.0	22	2-1586493-2
50.4	47.2	43.2	37.8	20	2-1586493-0
46.2	43.0	39.0	33.6	18	1-1586493-8
42.0	38.8	34.8	29.4	16	1-1586493-6
37.8	34.6	30.6	25.2	14	1-1586493-4
33.6	30.4	26.4	21.0	12	1-1586493-2
29.4	26.2	22.2	16.8	10	1-1586493-0
25.2	22.0	18.0	12.6	8	1586493-8
21.0	17.8	13.8	8.4	6	1586493-6
16.8	13.6	9.6	4.2	4	1586493-4
12.6	9.4	5.4	0.0	2	1586493-2



THIS DRAWING IS A CONTROLLED DOCUMENT.

DWN: K. WHITAKER	20JUNE2005		Tyco Electronics Corporation
CHK: D. COLEY	20JUNE2005		Harrisburg, PA 17105-3608
APP'D: D. COLEY	20JUNE2005	NAME:	ASSEMBLY, HEADER, VERTICAL, TIN PLATED, W/PEGS, W/O DRAIN HOLES, 94V-0, AMP-DUAC
PRODUCT SPEC:	108-1699	SIZE:	A1
APPLICATION SPEC:		CAGE CODE:	00779
MATERIAL:		DRAWING NO:	1586493
WEIGHT:		CUSTOMER DRAWING:	

SCALE: 5:1 SHEET 1 OF 1 REV 01